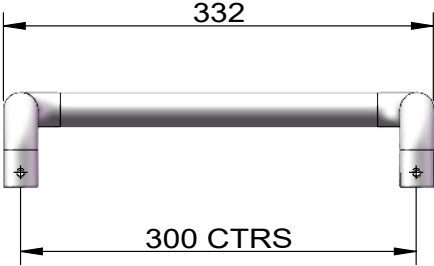


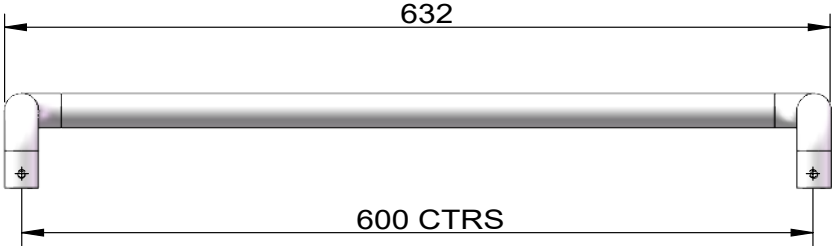


D HANDLE FITTING INSTRUCTIONS

SHORT HANDLE

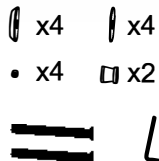


VERSION A

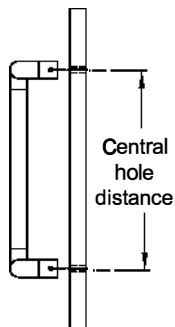


BACK TO BACK FIXING (2 HANDLES REQUIRED)

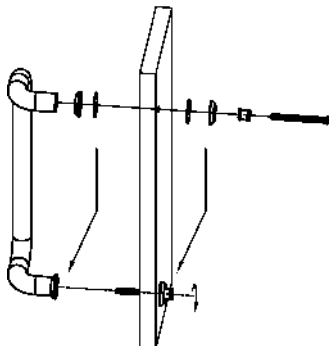
Components



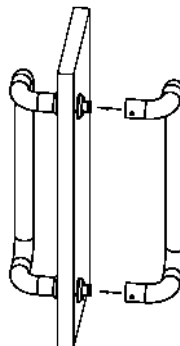
1



2



3



INSTRUCTIONS

- 1) Suitably line the holes up to where the handle will be fitted on the door making sure it is straight and make 2 holes in the door where you have marked.
- 2) Line the external handle up with the holes and screw the bolts into fittings by inserting them through each hole, from the other side of the door

*if installing on a glass door the glass plastic protector pads must be used first, then the metal washers. If installing on a timber door just the metal washers can be used.

- 3) Put the second handle on the back of the door onto each fitting. Tighten the grub screws to secure.

4

