



# NANOCOAST LETTERPLATES MAINTAINING

To maintain this product's appearance, simply wipe over with a lemon based very mild soap solution and a soft cloth once a month or every 2 weeks in areas of high sea salt such as coastal areas.

## Product components:

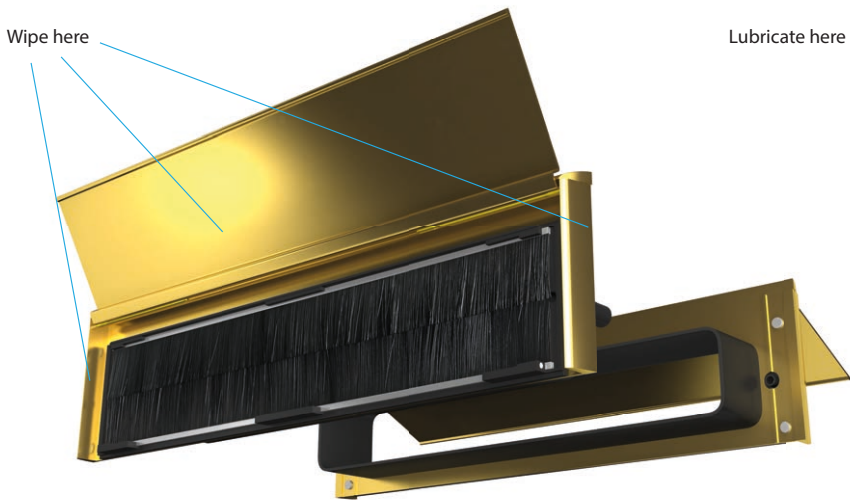
Letterplate

## Tools needed:

Cloth  
Lemon based mild soap

## DO NOT:

Wipe over with a strong cleaning detergents or any cloths which may scratch a surface of the letterplate



To register your guarantee, please visit  
[www.uapcorporate.com/register](http://www.uapcorporate.com/register)

If you are registering letterboxes, please click on 'I am registering a UAP door hardware product' and select the product(s) you wish to register, and enter the door supplier name, the name of the installing company, the receipt reference number and also the date of purchase. It's as easy as that!