



CERTIFICATE OF APPROVAL

No CF 5723

This is to certify that, in accordance with
TS00 General Requirements for Certification of Fire Protection Products
The undermentioned products of

UAP Limited
Orbital 60, Dumers Lane, Bury, BL9 9 UE, United Kingdom
TEL: 0161 796 7268

Have been assessed against the requirements of the Technical Schedule(s)
denoted below and are approved for use subject to the conditions
appended hereto:

CERTIFIED PRODUCT

Soterian TS008 Letterplates

Soterian Slim TS008 Letterplates

TECHNICAL SCHEDULE

TS32 - The contribution of
letterplates and their
accessories to fire resisting
and smoke control doorsets
with metallic or non-metallic
leaves

Signed and sealed for and on behalf of Warringtonfire Testing and Certification Limited

Paul Duggan
Certification Manager



Issued: 18th June 2019
Reissued: 7th March 2024
Valid to: 31st October 2028





CERTIFICATE No CF 5723

UAP Limited

Soterian TS008 and Soterian Slim TS008 - FD30 & FD60 Letterplates

1. This certification is provided to the client for their own purposes, and we cannot opine on whether it will be accepted by Building Control authorities or any other third parties for any purpose.
2. Soterian TS008 and Soterian Slim TS008 letterplates comprises a range of systems with integral intumescent liner material.
3. This approval applies to the Soterian TS008 and Soterian Slim TS008 Letterplates and to their use with the following door assemblies:

Door assemblies consisting of timber faced and edged leaves with timber, cellulosic or mineral cores in timber, metal or composite frames having fire resistances of 30 & 60 minutes, depending on letterplate assembly (Code TT, ITT, ITM, ITC) *

** Use in composite-based door leaves is not certificated*

4. The letterplates are approved on the basis of:
 - i) Initial type testing
 - ii) A design appraisal against TS32
 - iii) Certification of quality management system to ISO 9001
 - iv) Inspection and surveillance of factory production control
5. The door assembly shall be a CERTIFIRE approved product or have achieved the appropriate fire resistance performance when tested at a UKAS accredited laboratory in accordance with BS 476: Part 22: 1987. Note: approval of the letterplates is based on testing only to BS 476: Part 22: 1987.
6. The letterplates may only be fitted in the manner described in this certificate and subject to any limitations on the inclusion of letterplates specified for the door leaf.
7. Letterplates shall only be fitted using the fixings supplied by the manufacturer.
8. The doorset shall be installed in accordance with BS 8214.
9. The approval relates to on-going production. Product and/or its immediate packaging is identified with the manufacturer's name, the product name or number, the CERTIFIRE name or name and mark, together with the CERTIFIRE certificate number and application where appropriate.

Page 2 of 10 Signed
CUY82045-7

Issued: 18th June 2019
Reissued: 7th March 2024
Valid to: 31st October 2028



CERTIFICATE No CF 5723

UAP Limited

Soterian TS008 and Soterian Slim TS008 - FD30 & FD60 Letterplates

10. The following table shows acceptable doorsets types and fire resistance periods:

Integrity rating	Approved Door Leaf Construction		
	Timber-based leaf (TT, ITT, ITM, ITC)	Metallic-based leaf (MM, IMM)	Composite-based leaf
FD30	✓	✗	✗
FD60	✓	✗	✗
FD90	✗	✗	✗
FD120	✗	✗	✗
FD240	✗	✗	✗
E30	✗	✗	✗
E60	✗	✗	✗
E90	✗	✗	✗
E120	✗	✗	✗
E240	✗	✗	✗
EI30	✗	✗	✗
EI60	✗	✗	✗
EI90	✗	✗	✗
EI120	✗	✗	✗
EI240	✗	✗	✗

Key:

✓ - approved

✗ - not approved

See CERTIFIRE Technical Schedules for designation of doorset types i.e. IMM etc.



CERTIFICATE No CF 5723

UAP Limited

Soterian TS008 FD30 & FD60 Letterplates

Soterian TS008 Scope of Approval:

- The Soterian TS008 letterplate is a complete system using aluminium or steel flaps and outer casing with an inner body consisting of an aluminium profile. Intumescent is applied to the outer body of the letterplate as well as the internal sleeve.
- The letterplate system shall be fitted at a minimum of 290 mm and maximum of 1340 mm from the base of the door leaf to the middle of the aperture.
- The letterplate system may be fitted to cope with fire attack from either face.
- The letterplate is approved for use with timber doorsets comprising a solid cellulosic core only.
- Full Details of the Soterian TS008 letterplate specification are contained on file and can be obtained from UAP Ltd.

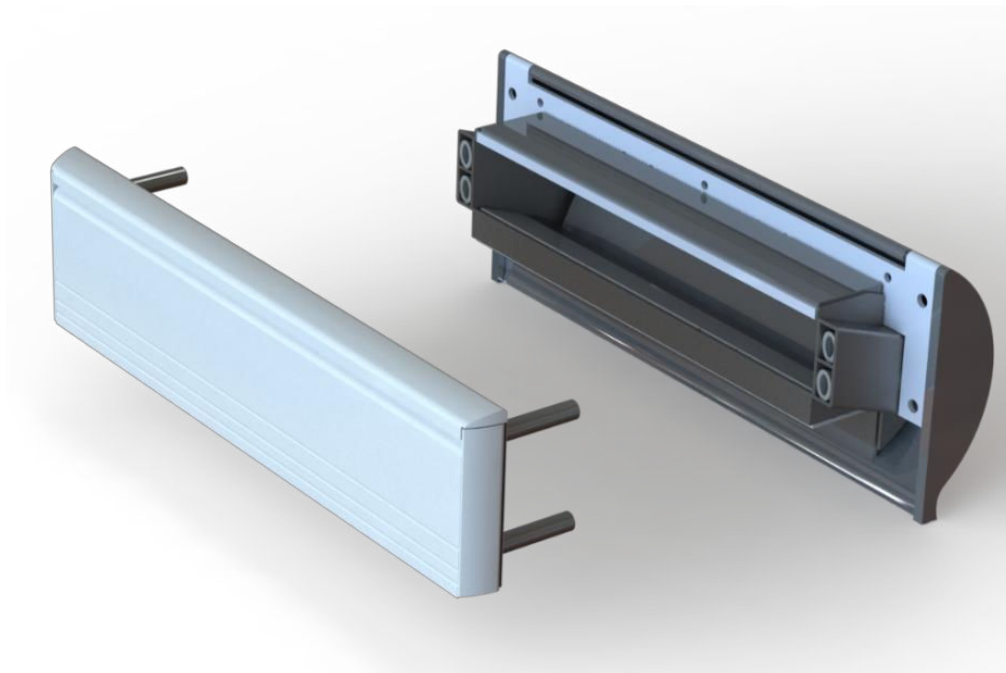
Page 4 of 10 Signed
CUY82045-7

Issued: 18th June 2019
Reissued: 7th March 2024
Valid to: 31st October 2028

CERTIFICATE No CF 5723 UAP Limited

Specification of 30 minute Soterian TS008 Letter Plate:

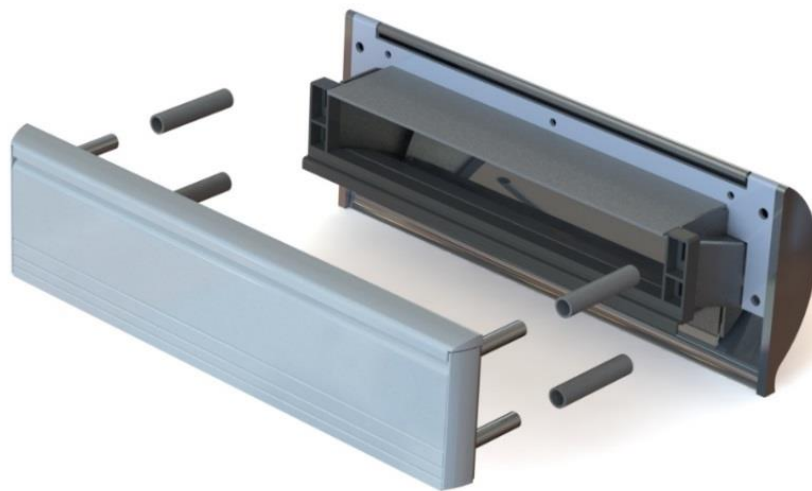
Reference	Soterian TS008 – FD30
Material	
Body	Aluminium
Face plate	Steel*
Security cowl	Aluminium
Overall size	
Body size	52mm high x 259mm wide x 37mm thick
Cut out size	53mm high x 259mm wide
Footprint	115mm high x 305mm wide x 95mm thick
Security cowl	115mm high x 301mm wide x 35mm projection
Location	Letterplate
Fixing method	Screw & bolt*
Details of intumescent protection	4 No. 10.5mm Intumescent tube. 1 No. 35 x 4mm Intumescent strip. 2 No. 25 x 3mm PVC encased Intumescent strip.



CERTIFICATE No CF 5723 UAP Limited

Specification of 60 minute Soterian TS008 Letter Plate:

Reference	Soterian TS008 – FD60
Material	
Body	Aluminium
Face plate	Steel*
Security cowl	Aluminium
Overall size	
Body size	52mm high x 259mm wide x 37mm thick
Cut out size	55mm high x 259mm wide
Footprint	115mm high x 305mm wide x 107mm thick
Security cowl	115mm high x 301mm wide x 35mm projection
Location	Letterplate
Fixing method	Screw & bolt*
Details of intumescent protection	8 No. 10.5mm Intumescent tube. 1 No. 35 x 4mm Intumescent strip. 1 No. 50 x 2mm Intumescent strip. 1 No. 10 x 2mm Intumescent strip. 2 No. 25 x 3mm PVC encased Intumescent strip.





CERTIFICATE No CF 5723

UAP Limited

Soterian Slim TS008 Scope of Approval:

- The Soterian Slim TS008 letterplate is a complete system using steel face plates and steel or aluminium security cowl and outer casing with an inner body consisting of an aluminium profile. Intumescent is applied to the outer body of the letterplate as well as the internal sleeve.
- The letterplate system shall be fitted at a minimum of 200 mm and maximum of 1340 mm from the base of the door leaf to the middle of the aperture.
- The letterplate system may be fitted to cope with fire attack from either face.
- The letterplate is approved for use with timber doorsets comprising a solid cellulosic core only.
- Full Details of the Soterian Slim TS008 letterplate specification are contained on file and can be obtained from UAP Limited.

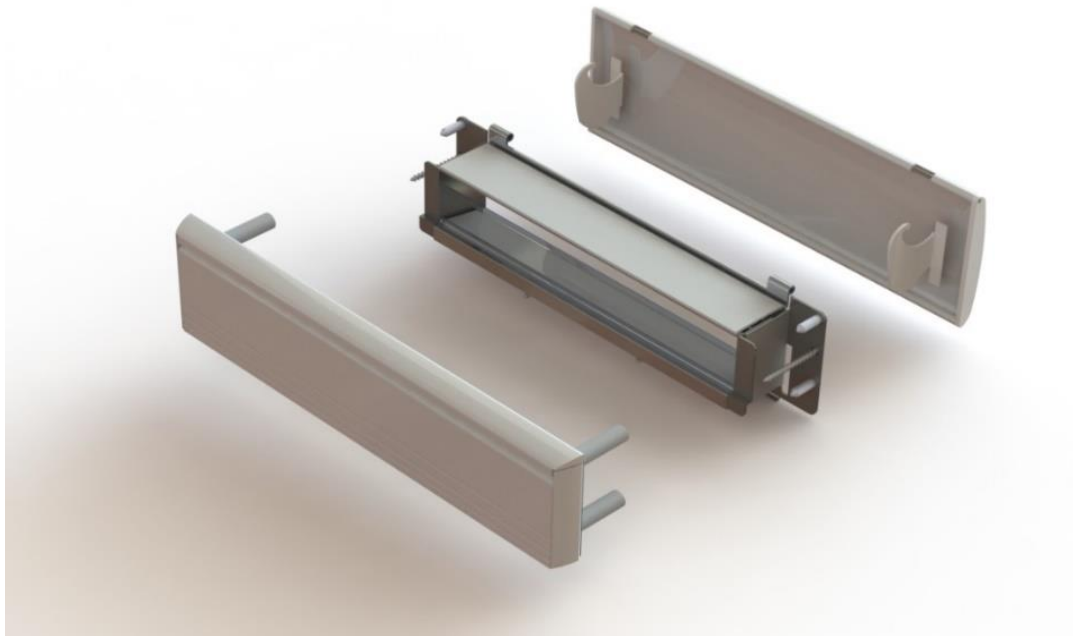
Page 7 of 10 Signed
CUY82045-7

Issued: 18th June 2019
Reissued: 7th March 2024
Valid to: 31st October 2028

CERTIFICATE No CF 5723 UAP Limited

Specification of 30 minute Soterian Slim TS008 Letterplate:

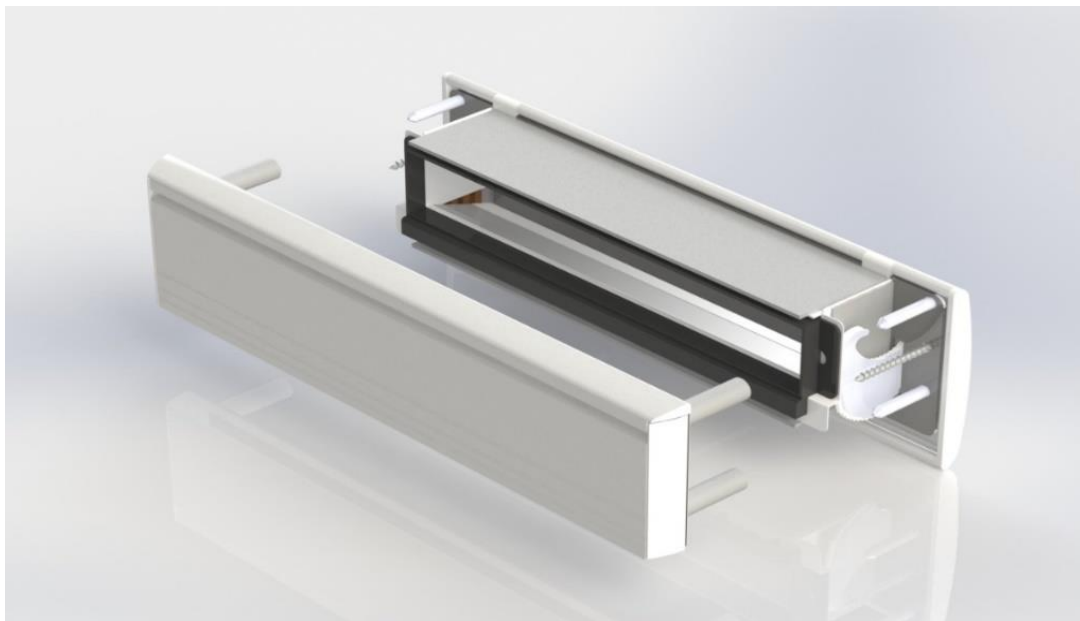
Reference	Soterian Slim TS008 – FD30
Material	
Body	Aluminium
Face plate	Steel*
Security cowl	Aluminium
Overall size	
Body size	52mm high x 237mm wide x 40mm thick
Cut out size	58mm high x 259mm wide
Footprint	98mm high x 305mm wide x 76mm thick
Security cowl	98mm high x 298mm wide x 7.5mm thick x 14mm projection
Location	Letterplate
Fixing method	Screw & bolt*
Details of intumescent protection	4 No. 10.5mm Intumescent tube. 2 No. 38 x 2mm Intumescent strip. 2 No. 35 x 1mm Intumescent strip. 2 No. 25 x 3mm PVC encased Intumescent strip.



CERTIFICATE No CF 5723 UAP Limited

Specification of 60 minute Soterian Slim TS008 Letterplate:

Reference	Soterian Slim TS008 – FD60
Material	
Body	Aluminium
Face plate	Steel*
Security cowl	Aluminium
Overall size	
Body size	52mm high x 237mm wide x 40mm thick plus 10mm thick extension piece
Cut out size	58mm high x 259mm wide
Footprint	98mm high x 305mm wide x 76mm thick
Security cowl	98mm high x 298mm wide x 7.5mm thick x 14mm projection
Location	Letterplate
Fixing method	Screw & bolt*
Details of intumescent protection	4 No. 10.5mm Intumescent tube. 2 No. 50 x 2mm Intumescent strip. 4 No. 35 x 1mm Intumescent strip. 2 No. 25 x 3mm PVC encased Intumescent strip.





CERTIFICATE No CF 5723
UAP Limited

Further Information

Further information regarding the details contained in this data sheet may be obtained from UAP (Tel: 0161 796 7268).

Further information regarding CERTIFIRE certification and other approved products can be obtained from CERTIFIRE (Tel: 01925 646777).

Page 10 of 10 Signed
CUY82045-7

Issued: 18th June 2019
Reissued: 7th March 2024
Valid to: 31st October 2028