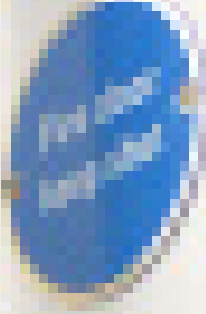




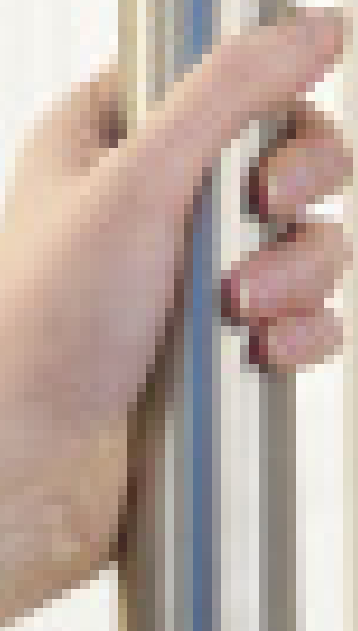
Intelligent HARDWARE

Commercial Range

Internal Door



Best *by* Design



Standards & Testing

Intelligent Hardware Commercial Range is a selection of quality products developed by Intelligent Hardware to meet the growing need for performance at a competitive price. We are pleased to introduce a range of new levers in a variety of finishes to ensure you can find the right product to meet your needs.

BS EN Performance standards

Many of the product types within the Commercial range have been developed specifically to meet or exceed the latest European Standards.

CE Marking

Where CE marking is permitted, items are marked with the CE icon and the classification is indicated against each item where this is appropriate.

Declaration of Performance (DoP)

The Declaration of Performance is a key part of the Construction Products Regulation. It provides information on the performance of a product. Each construction product covered by a European harmonised standard or for which a European Technical Assessment has been issued needs this Declaration and has to be CE marked.

Fire Testing

This icon indicates the items have been successfully included in fire tests. Please contact Intelligent Hardware for full details of the certification.

Equality Act, AD M & BS 8300

The principal of ensuring buildings are accessible to able and less able people alike is manifest in Approved Document M of the Building Regulations and with further guidance in BS 8300. The disabled symbol is used throughout this document to identify those Commercial Range items which meet these requirements.

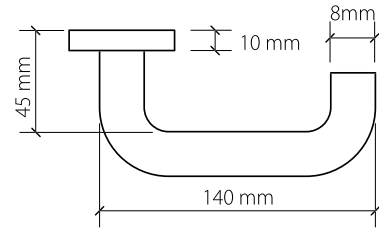
Combining performance and value

COMMERCIAL RANGE

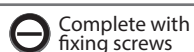
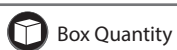
LEVER HANDLES

19mm Dia RTD Lever

- Round bar 'return to door' lever pre-fixed to a sprung rose
- Supplied with 'bolt through' and face fixings
- Metal inner rose
- 8mm spindle supplied
- Conforms to the dimensional requirements of BS 8300
- Rose dimensions 50Ø x 8mm



Type	Product Code	Finish	Material
19mm Dia RTD Lever on Sprung 10mm Rose	IH-C-54.608.19.SSS	Stainless Steel	304 Grade SSS
19mm Dia RTD Lever on Sprung 10mm Rose	IH-C-54.198.SSS	Stainless Steel	201 Grade SSS



COMMERCIAL RANGE



Lever Handles

- Tubular stainless steel lever handles
- Lever handles pre-fixed to sprung round roses
- Concealed fix roses with matching escutcheons
- BS EN 1906 - category of use Grade 3
- 8mm spindle and bolt through fixings supplied
- Grade 304 stainless steel throughout
- 5 year guarantee



19mm Dia RTD Lever on Sprung 10mm Rose

Product Code	Size	Rose	Finish
IH-C-54.630.6.SSS	135 x 19mmØ – Straight	Round 53Ø x 7mm	SSS



19mm Dia L-Shaped Sharp Corner On Rose

Product Code	Size	Rose	Finish
IH-C-54.631.6.SSS	135 x 19mmØ – Straight	Round 53Ø x 7mm	SSS



19mm Dia Arched T Lever on Rose

Product Code	Size	Rose	Finish
IH-C-54.632.6.SSS	140 x 19mmØ – Arched	Round 53Ø x 7mm	SSS



19mm Dia T Shaped Lever on Rose

Product Code	Size	Rose	Finish
IH-C-54.633.6.SSS	140 x 19mmØ – Straight	Round 53Ø x 7mm	SSS

COMMERCIAL RANGE

Escutcheons

- A series of escutcheons with concealed fixings for use with Commercial Range rose mounted levers or pull handles
- Escutcheon dimensions 50Ø x 8mm
- Supplied with face fixings

Product Code	Type
LL-51.800.3.SS7	Euro profile
IH-ESC.STD.SSS	Lever key
LL-51.800.0.SS7	Blind Rose



Bathroom Indicator & Turns

- A rose mounted indicator & turn for bathroom locks
- Escutcheon dimensions 50Ø x 8mm
- Also available with an extended turn for the less able
- Each turn supplied with appropriate indicator
- Supplied with face fixings

Product Code	Type
IH-ESC.BATH.SSS	Standard turn
IH-C-51.608.425.SSS	Extended turn



Flush Bolts & Bolt Sockets

Lever action flush bolts, primarily intended for mounting in the leading edge or inside face of the normally closed leaf of a pair of doors or a leaf and a half.

- Meets the performance requirements of BS EN 12051
- Smooth lever action
- 13mm diameter shoot
- Radius end and square end variants
- EN Classification 4 3 - 1 1 3 1



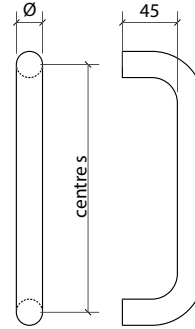
Type	Product Code	Finish
202x20mm Lever Action Flush Bolt (Square)	LL-34 003.2 SSS00202	SSS
450x20mm Flushbolt (Radius)	LL-34 004.4 SSS00600	SSS
202x20mm Lever Action Flush Bolt (Radius)	LL-34 004.4 SSS00600	SSS
Dust Socket	LL-34.029.4 SS7C1000 SS	SSS
Easy Clean Socket	LL-34 028.SCP	SCP



Pull Handles



- Supplied complete with M8 fixings to suit timber doors
- Available in 19mm diameters
- For push/pull applications select an appropriate push plate for the other side of the door
- Pull handles of 300mm centres meet the requirements of BS 8300



Type	Product Code	Size	Finish
D Handle	IH-C-LA06	300 x 19mm	SSS
D Handle	IH-C-LA77	450 x 19mm	SSS
D Handle	IH-C-LA100	600 x 19mm	SSS

D Handle Back to Back	IH-C-LA08	300 x 19mm	SSS
D Handle Back to Back	IH-C-LA78	450 x 19mm	SSS
D Handle Back to Back	IH-C-LA101	600 x 19mm	SSS

Push Plates



- Push plates for use with bolt through pull handles
- Square corners drilled & countersunk – supplied complete with screws
- Plate thickness 1.5mm
- Grade 304

Type	Product Code	Size	Finish
Push Plate	IH-C-LA23	330X 75mm	SSS
Push Plate	IH-C-LA23.500	500X 75mm	SSS
Push Plate	IH-C-LA23.650	650X 75mm	SSS

COMMERCIAL RANGE

Hinges

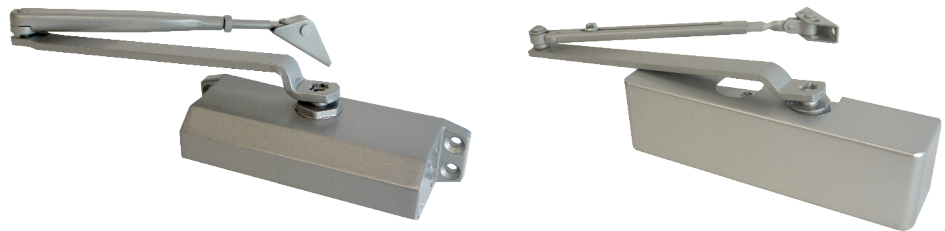
- A series of square and radius cornered hinges
- BS EN 1935 Grade 13
- Polished or Satin Stainless Steel



Type	Product Code	Size	Finish
Class 13 Ball Bearing Hinge Square	IH-HINGE-SS201-FIRE-SQUARE-SSS	100 x 76mm	SSS
Class 13 Ball Bearing Hinge Radius	IH-HINGE-SS201-FIRE-RADIUS-SSS	100 x 76mm	SSS

Door Closers

- Fire and smoke control
- Security
- Noise control
- Environmental/heat loss
- Privacy



Type	Product Code	Finish
Fixed Power Size 3 Closer (No Cover)	LL-TS7004.SSS	SSS
Power Size 2-4 Closer	LL-FDC-SNP-2-4	SSS

Door Stops

- Floor and skirting/wall mounted door stops
- Skirting mounted door stops in varying lengths
- Floor mounted door stop
- See chart opposite for finishes

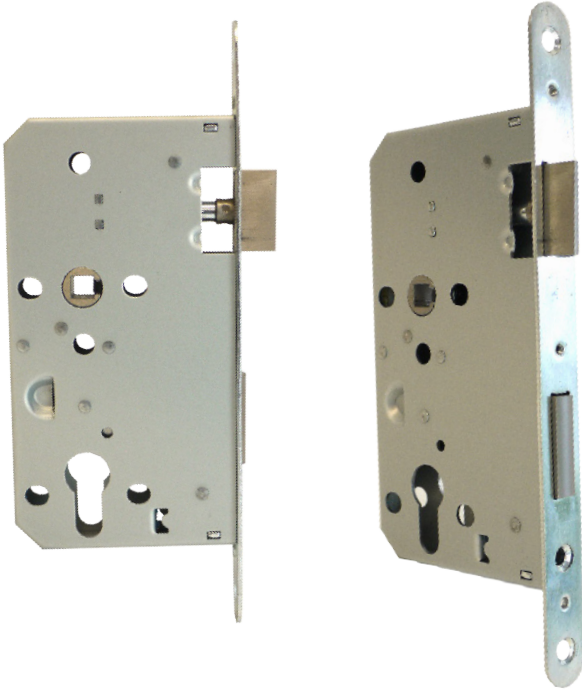


Type	Product Code	Product Code
Floor Mounted Half Moon Door Stop	IH-DST.OVL.SCP	SCP
Wall Mounted Projection Door Stop	LL-32 800.1.SS7	SSS

Lockcases

Euro Profile Mortice Lockcases

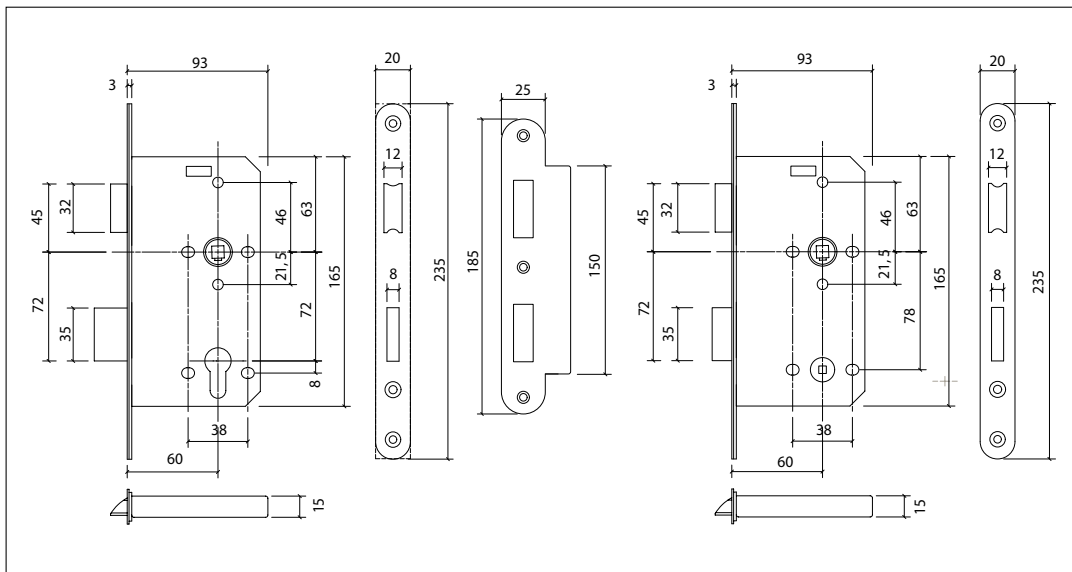
An integrated series of modular euro profile cylinder mortice lockcases designed to meet the requirements of BS EN 12209



- Slimline case with 4 variants
- Modular design allows interchangeability of lock models
- Meets the requirements of BS EN12209
- 60mm backset
- Bolt through hardware fixings
- 20mm double throw deadbolt
- Quick reversible latchbolt
- Springing suitable for unprung lever furniture
- Single piece forend with matching strike plate
- Optional radiused or square forend styles
- Meets BS 8300 dimensional recommendations making it suitable for Equality Act



Type	Product Code	Finish
72mm Din Sashlock Square	LL-11.861.SSS	SSS
Din Standard Deadlock Square	LL-12.861.SSS	SSS
Din Standard Latch Square	LL-13.861.SSS	SSS
Din Standard Bathroom Square	LL-13.862.SSS	SSS
72mm Din Sashlock Radius	LL-11.861R.SSS	SSS
Din Standard Deadlock Radius	LL-12.861R.SSS	SSS
Din Standard Latch Radius	LL-13.861R.SSS	SSS
Din Standard Bathroom Radius	LL-13.862R.SSS	SSS



Lockcases - UK Style

A series of UK style mortice cylinder lockcases in 64mm and 76mm case sizes

- Two part forend
- Brass deadbolt with hardened steel 'anti-saw' rollers
- Radiused deadbolt design
- Suitable for bolt through lever assemblies
- Forends and strikes are satin zinc plated finish or satin stainless steel only



Type	Product Code	Finish
UK Style Sashlock 76mm	IH-SASH.54.12.75.SSS	SSS
UK Style Bathroom Lock	IH-BAT.54.05.75.SSS	SSS
UK Style Latch	IH-LAT.54.02.75.SSS	SSS

Cylinders

A series of euro profile cylinders to suit both European and UK lock cases

- Euro profile cylinders are available as standard differ or masterkeyed
- Choice of cylinder lengths to suit different door and hardware thicknesses
- Satin nickel plated finish
- Standard differ cylinders supplied with 3 keys
- Masterkey cylinders supplied with 2 keys



Type	Product Code	Finish
70mm Cylinder & Turn	TL35T/35N	SSS
80mm Cylinder & Turn	TL40T/40N	SSS
60mm Double Cylinder	TL30/30N	SSS
70mm Double Cylinder	TL35/35N	SSS
80mm Double Cylinder	TL40/40N	SSS

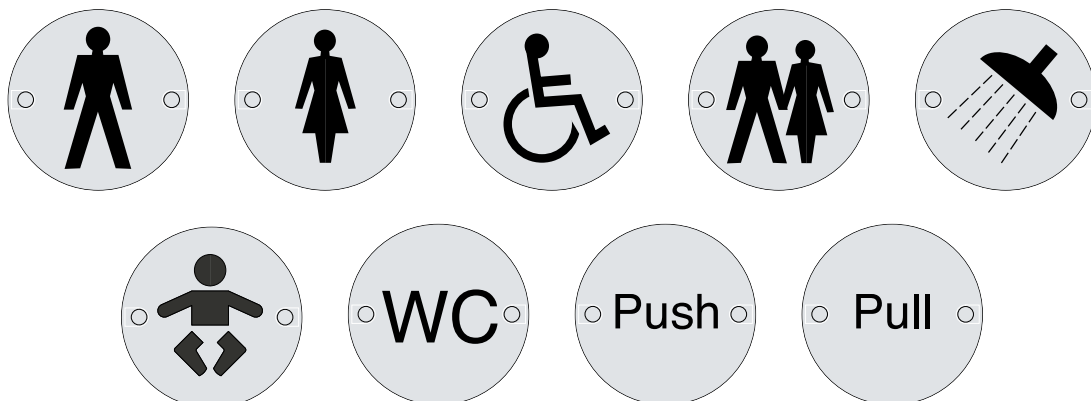
Signage

A comprehensive range of face fixed symbols for general application in WC and washroom facilities and on fire door applications.

- Supplied with face fixing screws
- 76mm diameter
- Available in all finishes
- Fire signs comply with BS5499:5 2002



Type	Product Code	Finish
Fire Door Keep Shut	IH-FIRE.DOOR.KEEP.SHUT.SIGN.SS	SSS
Fire Door Keep Locked	IH-FIRE.DOOR.KEEP.LOCKED.SIGN.SS	SSS
Fire Door Keep Locked Shut	IH-FIRE.DOOR.KEEP.LOCKED.SHUT.SS	SSS
Keep Locked Shut	IH-KEEP.LOCKED.SHUT.SIGN.SS	SSS
Automatic Fire Door Keep Clear	IH-AUTO.FIRE.DOOR.KEEP.CLEAR.SS	SSS
Fire Door Keep Clear	IH-AUTO.FIRE.DOOR.KEEP.CLEAR.SS	SSS
Fire Exit Keep Clear	IH-FIRE.EXIT.KEEP.CLEAR.SIGN.SS	SSS
Male	IH-MALE.SYMBOL.SS	SSS
Female	IH-FEMALE.SYMBOL.SS	SSS
Disabled	IH-DISABLED.SYMBOL.SS	SSS
Unisex	IH-UNISEX.SYMBOL.SS	SSS
Shower	IH-SHOWER.SYMBOL.SS	SSS
B Change	IH-BABY.CHANGE.SYMBOL.SS	SSS
WC	IH-WC.SYMBOL.SS	SSS
Push	IH-PUSH.SS	SSS



MILOS 900

MILOS 900 cylinders are the ultimate convenience solution for masterkey systems making them ideal for large complex commercial applications.

- 10 Pin key biting system produces over 1.6 million key differs
- Mushroom shaped driver provides pick resistance
- Drill resistant hardened steel pin and driver in first position
- Self-lubricating projecting DIN standard sintered steel cam provides push resistance
- Phosphor bronze springs
- Additional functions available:
 - Classroom function
 - Anti-barricade function
 - Key override
 - Easy Egress turn
- EN 1303 classification for:
 - Durability Grade 6
 - Key Security Grade 6
 - Attack Resistance Grade 2 (when used with a security escutcheon in accordance with EN 1906)

Typical applications include:

- Commercial offices
- University campus
- Schools
- Hospitals and other healthcare applications
- Public buildings



MILOS 600

MILOS 600 is a new patented range of high quality cylinders with the highest level of certified testing for both durability and key related security.

- 6 Pin key biting system produces over 100,000 key differs
- Mushroom shaped driver provides pick resistance
- Hardened steel anti-drill pin and driver in first position
- Paracentric key profile to enhance pick resistance
- Patented Bump Pin as optional extra
- Phosphor bronze springs
- Minimum of 6 hardened anti-drill pins in the body & core
- EN 1303 classification for:
 - Durability Grade 6
 - Key Security Grade 6
 - Attack Resistance Grade 2*

- Additional functions:
 - Classroom function
 - Anti-barricade function
 - 1, 2, 3 cylinder function
 - Personnel function
 - Key override
 - Construction keying
 - Easy Egress turn
- TS007 3 Star Standard
 - Bump pin as standard
 - Sacrificial break slot ensures the core is secure even if the cylinder is snapped

Typical applications include:

- Commercial offices
- University campus
- Schools
- Hospitals and other healthcare applications
- Public buildings



MILOS 100

MILOS 100 cylinders are a flexible and highly versatile range of cylinders which combine good levels of security with convenience. It is an ideal system for medium security applications and where the convenience of key duplication is required.

- Sacrificial cut as a standard
- Anti Drill as a standard
- Anti Pick as a standard
- Anti Bump available
- Unrestricted key section for ease of local key duplication
- Over 100,000 differs
- Six pin as standard
- Classroom function available
- Clutch/barricade function available
- DDA turn available
- Comprehensive range of offset sizes available
- Scandinavian, rim and threaded cylinders available
- Conforms to EN1303:2015
- Available in a range of finishes including, Satin Nickel, Brass, Polished Chrome, Black. Colour matching available

Typical applications include:

- Commercial offices
- Factories/industrial
- Residential developments
- Care homes



Sacrificial Cut



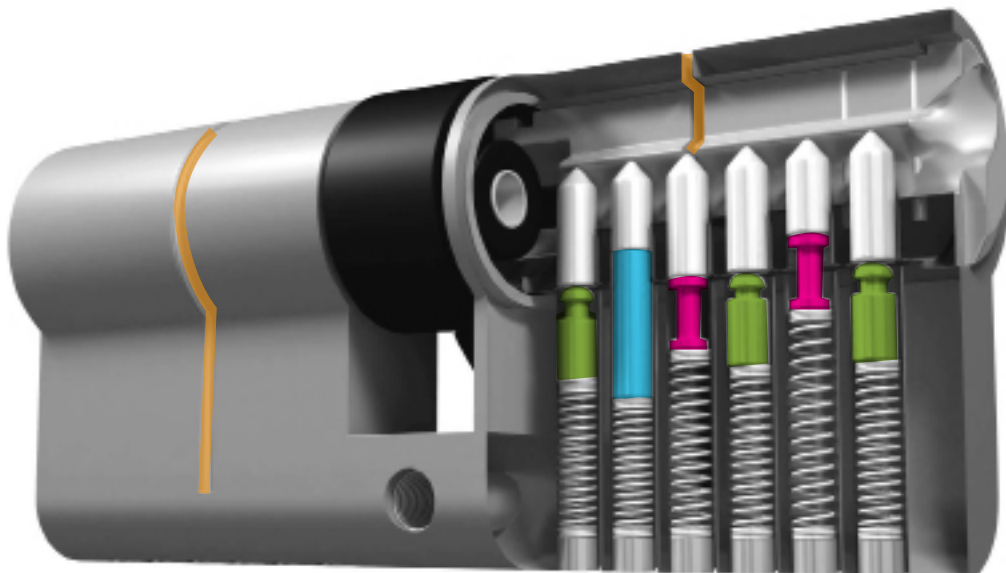
Anti-Drill



Anti-Pick



Anti-Bump



SERIES COMPARISON



	MILOS 900	MILOS 600	MILOS 100
Patented system (to 2032)		Patent protected	
Restricted key duplication			
No. of Pins	10	6	6
Suitable for simple masterkeying			
Suitable for complex masterkeying			
Max. differs under simple MK system	28,000	18,000	1,400
TS007 3 Star			
Anti-Bump feature			
Classroom function			
Anti-barricade function			
1, 2, 3 function			
Personnel function			
Key override function			
Construction keying			
EN 1303 Grades			
Durability	Grade 6	Grade 6	Grade 6
Key Related Security	Grade 6	Grade 6	Grade 6
Attack Resistance	Grade 2	Grade 2	Grade 2
CE Classification	1 6 0 1 0 C 6 2	1 6 0 1 0 C 6 2	1 6 0 1 0 C 6 2
Sacrificial Cut As Standard			



Brands



www.uapcorporate.com
sales@uapcorporate.com
0161 796 7268

UAP Limited
Orbital 60
Dumers Lane
Bury
BL9 9UE
England, UK