

THE SOTERIAN SLIM

TS008 Slim Letterplate

Part Number TS008-SLIM

Door thickness: 44mm - 70mm. For composite, timber and UPVC doors.



x4 Gimlet point screws



x4 Machine screws



x1 Steel rod

1. Fit the TS008-EXTERNAL letterbox onto exterior door face.
2. Push the internal frame into the aperture.

Push your hand through to the external side and hold both frames together. Fix with the four machine screws provided. Gradually tighten up all four sides

Secure the internal side with the 4 gimlet point screws provided. You can drill pilot holes if required.
3. Click open the serrated stays.
4. Feed the stays into the two slots and line up with two hinges at the top of the frame.
5. Push the steel rod through the hole on the internal side of the flap to secure it.

Note: An alternative extension and fixings will need to be requested for door thicknesses beyond 44mm.

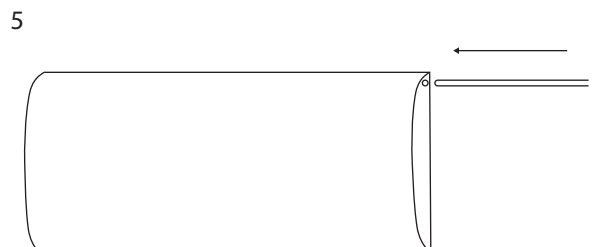
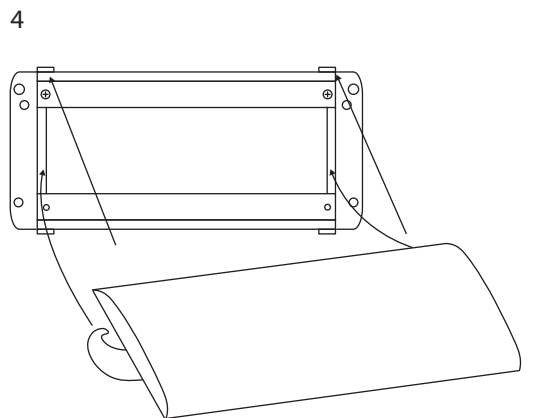
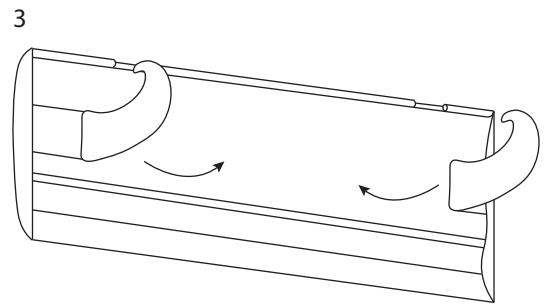
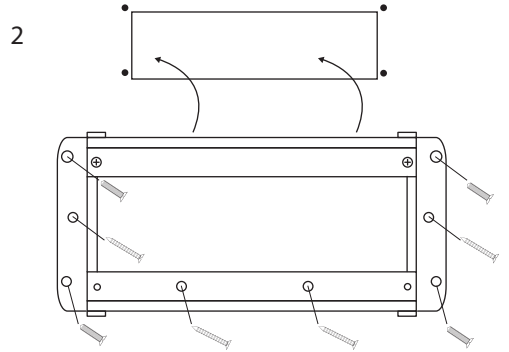
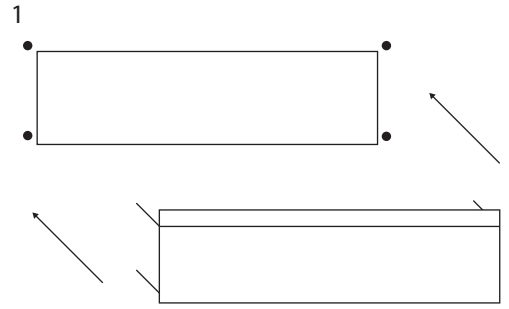
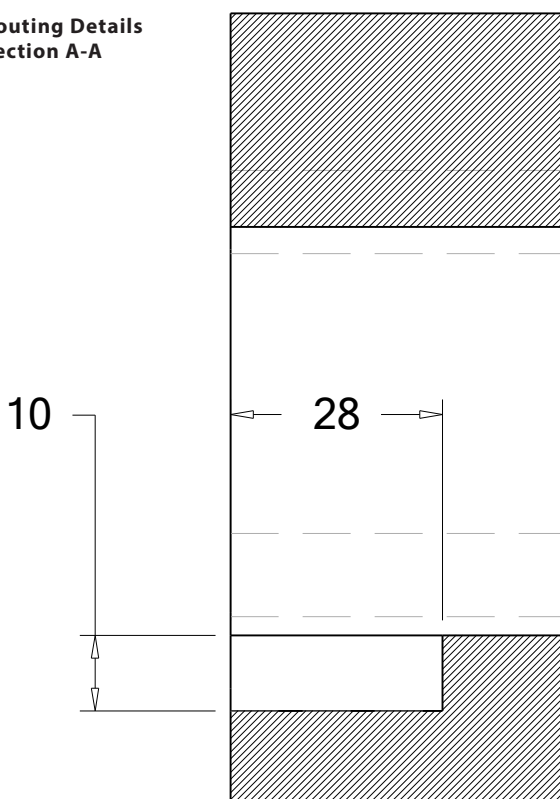
Maintenance

To maintain this product's appearance, simply wipe over with a very mild soap solution and a soft cloth once a month or every 2 weeks in areas of high sea salt such as coastal areas and areas of high pollution.

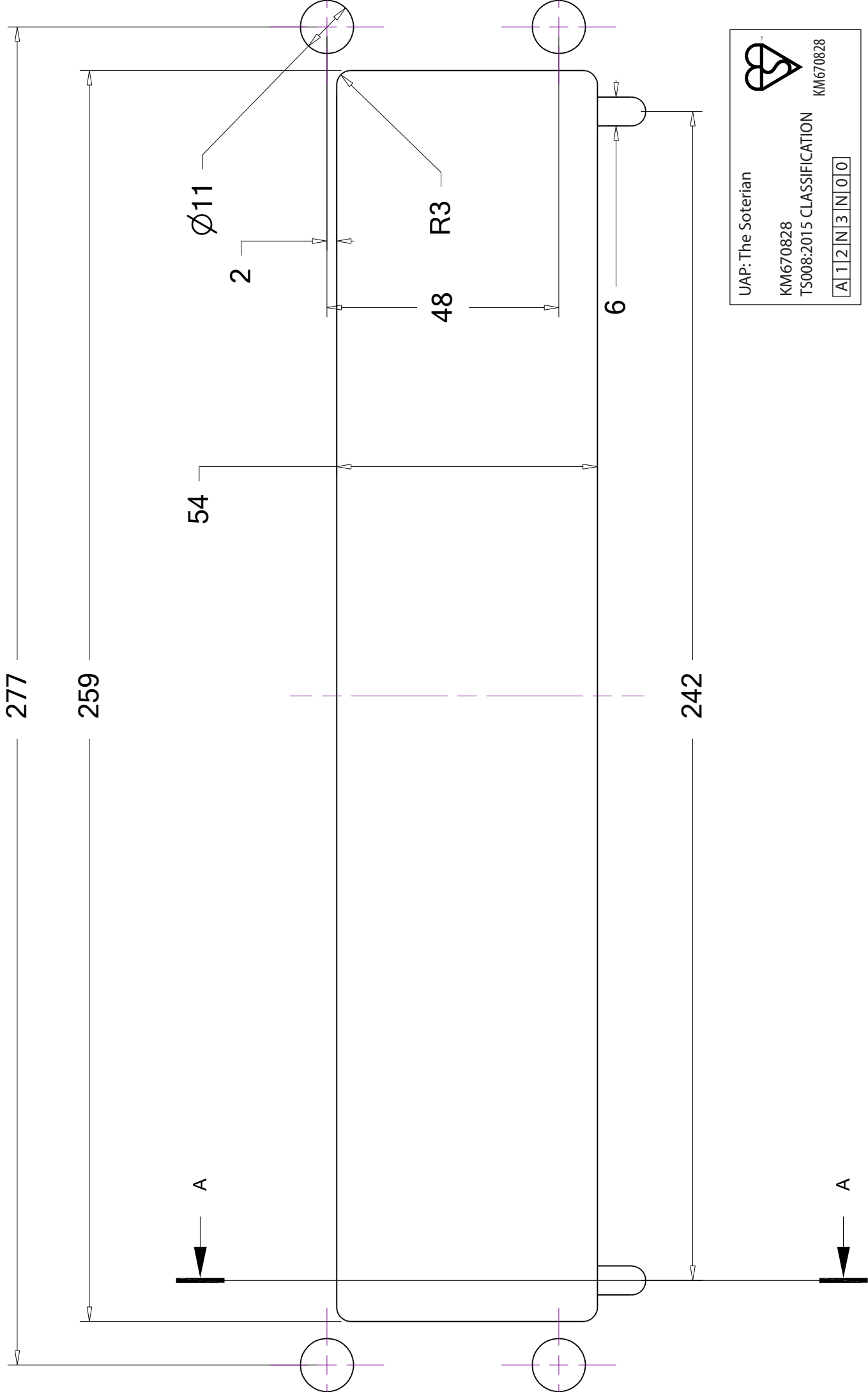
DO NOT:

Wipe over with a strong cleaning detergent or any cloths which may scratch the surface of the product.

Routing Details Section A-A



TS008 SLIM: ROUTING DETAILS



UAP: The Soterian
KM670828
TS008:2015 CLASSIFICATION
KM670828
A | 1 | 2 | N | 3 | N | 0 | 0