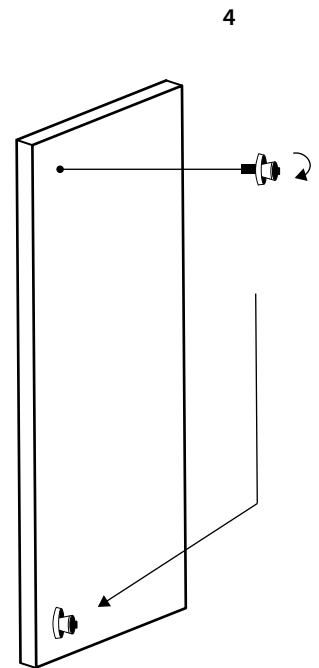
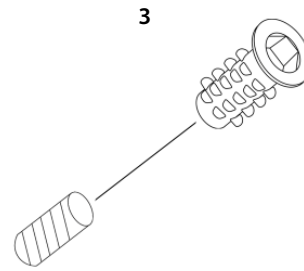
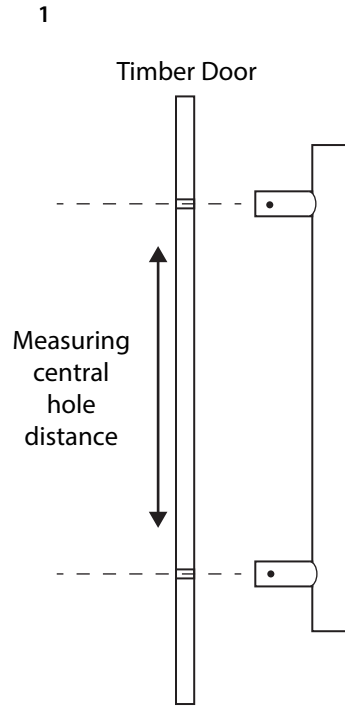
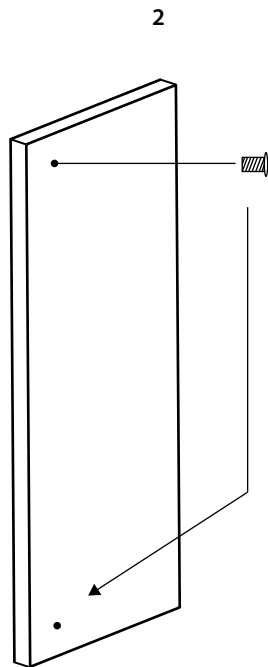
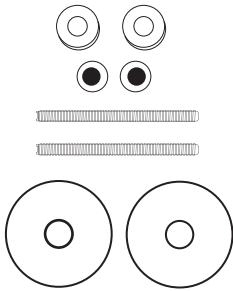


HIDDEN FIXING (TIMBER DOOR ONLY)

Recommended for light use. Use bolt through for a stronger option.

COMPONENTS

Hidden fix offset handle



INSTRUCTIONS

- 1) Measure the suitable distance and drill 2 holes to 10mm diameter. Refer to page 1 for the hole centres.
- 2) Screw the threaded insert nut into the door using an Allen key.
- 3) Screw the 45mm bolt into the insert bolt. Use an Allen key to tighten it up firmly.
- 4) If you prefer, you can use the 2 plastic washers. Simply feed them onto the side of the door where the handle will sit. Screw the brass reducer onto the bolts above the plastic washer.
- 5) Feed the handle onto the brass reducers and tighten up the grub screws on the sides of the handle legs.

