

# UAP LIMITED

## Pull Handle Solutions



**Designer Range Pull Handles**





**nanocoast<sup>®</sup>**

## About Nanocoast

Nanocoast is a range of stainless steel hardware for exposed and extreme locations.

Manufactured in high grade stainless steel for superior corrosion resistance, our Nanocoast hardware range comes with an industry-leading lifetime guarantee. The products will not pit, rust or corrode regardless of the environment.

Each pull handle is made from 1.5mm thick stainless steel, and made it part of the UAP Nanocoast range.

There are 3 different fixing methods available – hidden fix, bolt through and back to back. Due to the fixing methods, customers also have the option of sending the door to the site without the pull handle on, this will prevent damage in transit or on site.





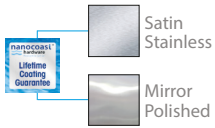


*Your complete hardware  
solutions partner.*

# DESIGNER RANGE PULL HANDLES

nanocoast®

The Designer Pull Handles range is made from thick high grade stainless steel and features a stylish design with shiny mirror polished elements. It has a diameter of 38mm for sturdier construction. This range is part of the Nanocoast range, coming with a LIFETIME coating guarantee. The bolt through fixing gives a neater finish and as high grade Stainless Steel is used, the product will not rust and so there will be no leakage if it rains. The handles also comes with an Allen Key and 2 Allen Bolts on each of the up-stands, as well as two fixing points with an individual plate on each.



Finish	Size	Material Construction	Coating Guarantee	Product Code
Satin Stainless	1500mm	316 Grade Stainless Steel	LIFETIME	PH1500S-AURA-NANOCOAST
Satin Stainless	1500mm	316 Grade Stainless Steel	LIFETIME	PH1500S-SPEAR-NANOCOAST
Satin Stainless	600mm	316 Grade Stainless Steel	LIFETIME	PH600S-WAVE-NANOCOAST
Satin Stainless	1500mm	316 Grade Stainless Steel	LIFETIME	PH1500S-QUAD-NANOCOAST
Satin Stainless	1500mm	316 Grade Stainless Steel	LIFETIME	PH1500S-DESIGNERSLIM-NANOCOAST
Satin Stainless	1500mm	316 Grade Stainless Steel	LIFETIME	PH1500S-TRIUMPH-NANOCOAST



AURA

SPEAR

WAVE

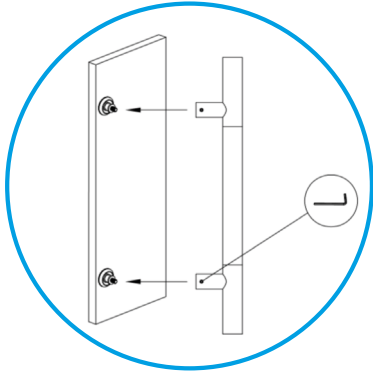
QUAD

DESIGNER SLIM

TRIUMPH

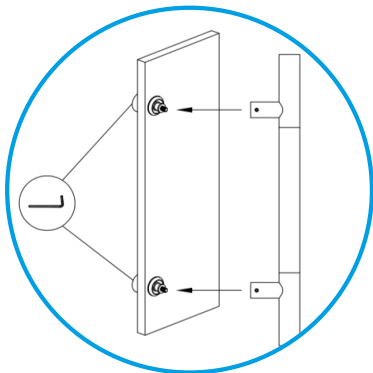
# FIXING METHODS

What makes the pull handle really stand out is the 3 different fixing methods available – hidden fix, bolt through and back to back fix. Due to the fixing methods, customers also have the option of sending the door to the site without the pull handle on, this will prevent damage in transit or on site. The door will simply be sent with the fixings on and the installation would be completed on site.



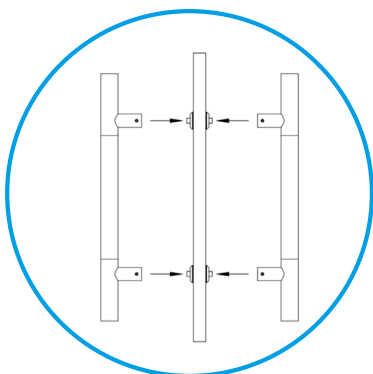
## Hidden Fixings

The pull handle comes with two fixing points each with an individual plate. These are fitted to wooden and timber doors using three screws. The pull handle then attaches to the plates and is secured with the Allen bolts. The internal fixings are not visible on the door!



## Bolt Through

The bolt through method uses a brass thread reducer; this is included in one of the two accessory kits. The brass thread reducer has a 1.5mm thread on the outside which will thread into the upstand. On the internal of the reducer is an N8, this is an 8mm bolt through which provides an ideal position for an internal bolt to fit through. The two Allen bolts give extra protection against vibrations that may take effect on a main road causing bolts to come undone. With the Allen bolts this will not happen!



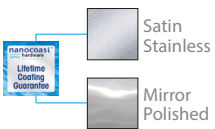
## Back to back

We have developed a system which is incredibly easy to use and which will reduce fitting times to just seconds. Included in the second accessory kit are two plates which have holes all the way through. Once the plate is fitted on the inside of the door, the bolt can be pushed through the plate and screwed into the brass reducer. The internal pull handle would then be fitted using the hidden fix system. This offers an extremely strong back to back fixing method!

# AURA

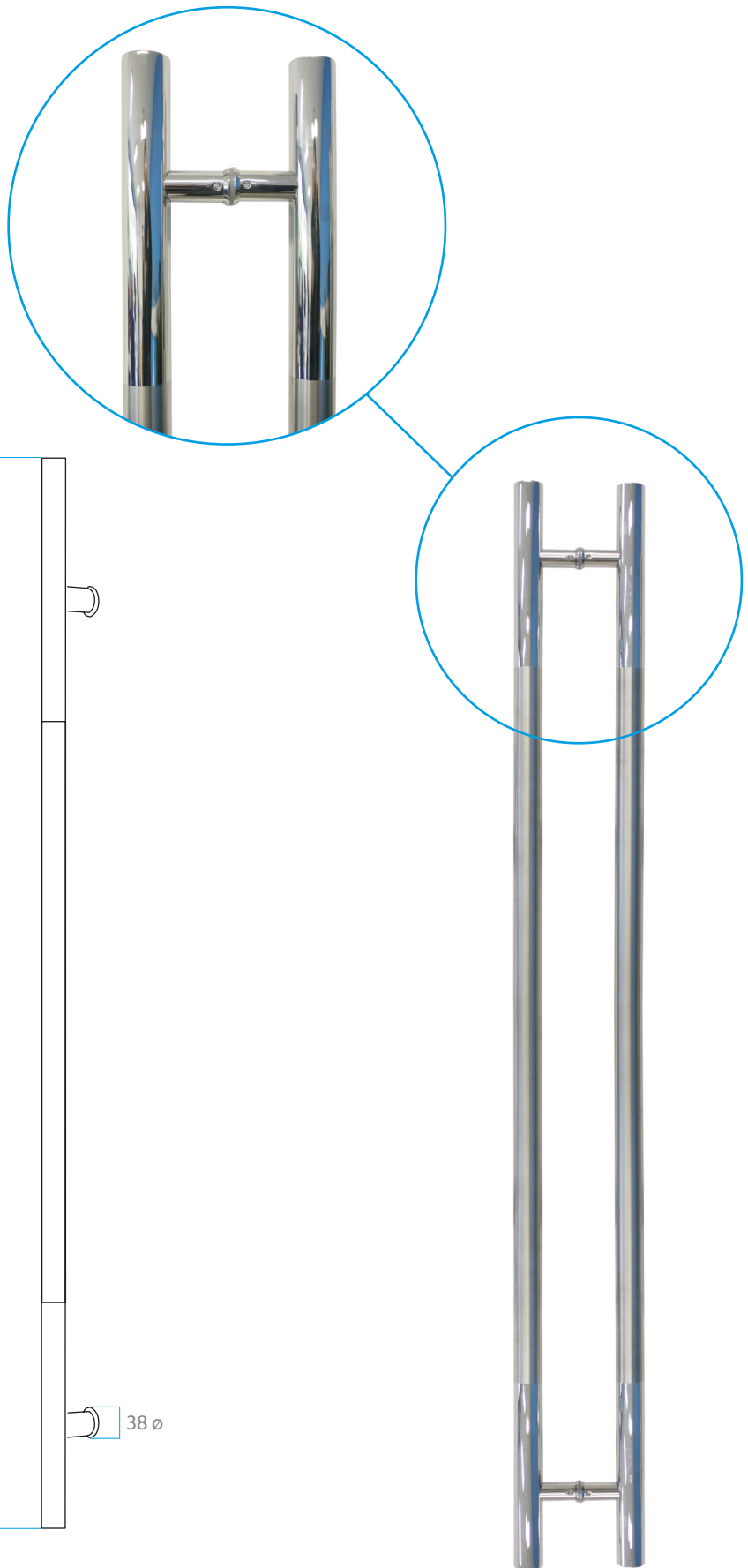
nanocoast®

- Satin stainless and mirror polished details
- Satin Stainless Steel 316
- 1500mm Straight
- 38mm Diameter
- Including 2 fixings with bolts
- Fits flush to doors
- Can be fitted on glass doors



1500

38 ø



Finish	Size	Material Construction	Coating Guarantee	Product Code
Satin Stainless	1500mm	316 Grade Stainless Steel	LIFETIME	PH1500S-AURA-NANOCOAST

# SPEAR

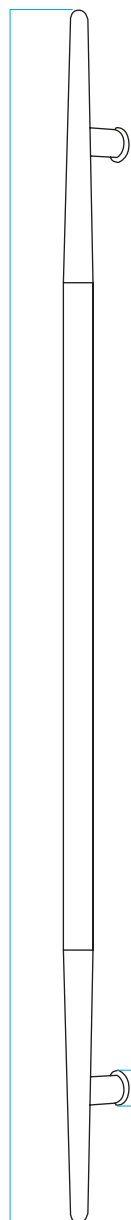
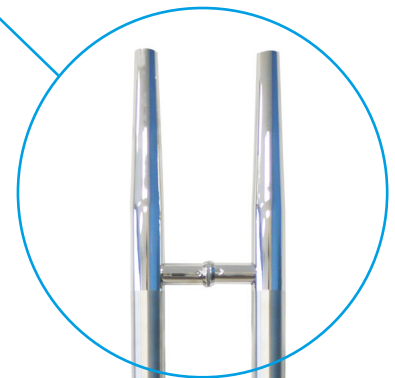
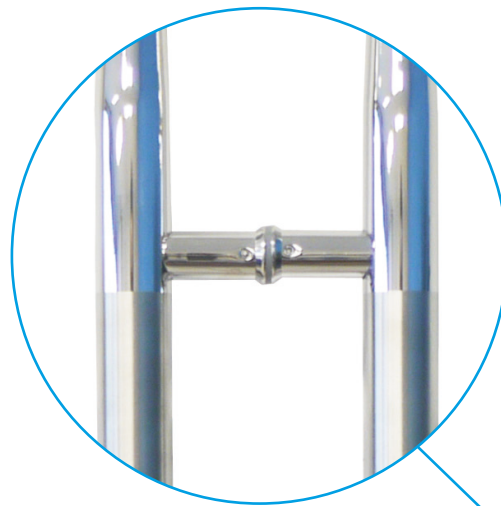
nanocoast®

- Satin stainless and mirror polished details
- Satin Stainless Steel 316
- 1500mm Straight
- 38mm Diameter
- Including 2 fixings with bolts
- Fits flush to doors
- Can be fitted on glass doors



1500

38 ø



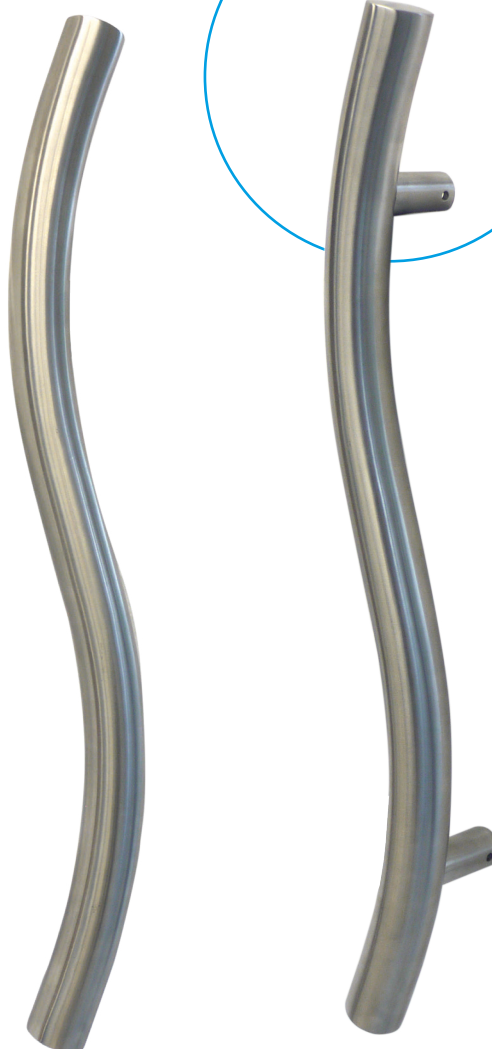
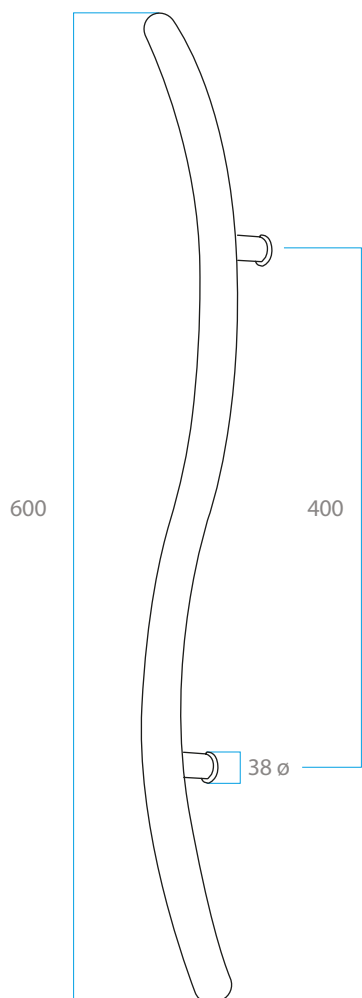
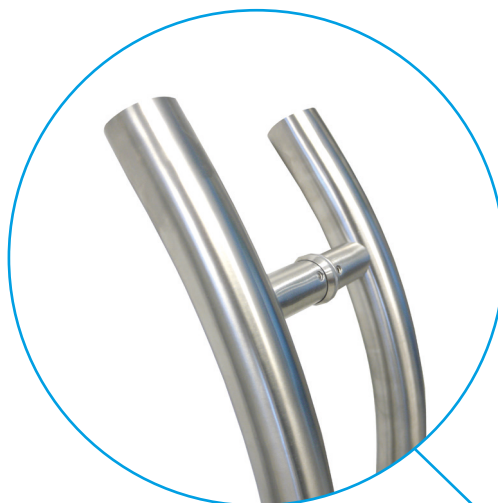
Finish	Size	Material Construction	Coating Guarantee	Product Code
Satin Stainless	1500mm	316 Grade Stainless Steel	LIFETIME	PH1500S-SPEAR-NANOCOAST



# WAVE

nanocoast®

- Wave design
- Satin stainless and mirror polished details
- Satin Stainless Steel 316
- 600mm
- 38mm Diameter
- Including 2 fixings with bolts
- Fits flush to doors
- Can be fitted on glass doors



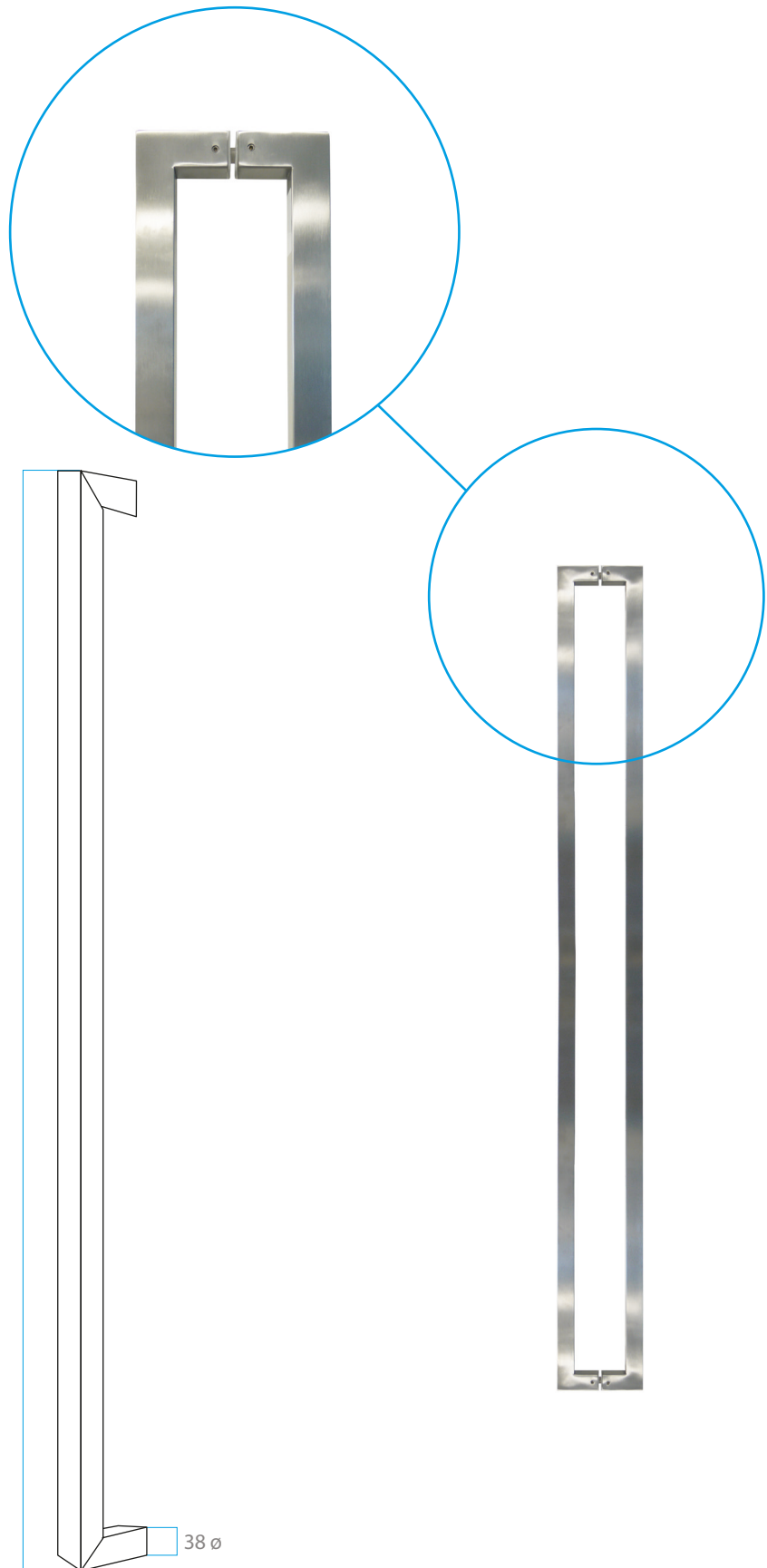
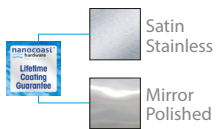
Finish	Size	Material Construction	Coating Guarantee	Product Code
Satin Stainless	1500mm	316 Grade Stainless Steel	LIFETIME	PH600S-WAVE-NANOCOAST



# QUAD

nanocoast®

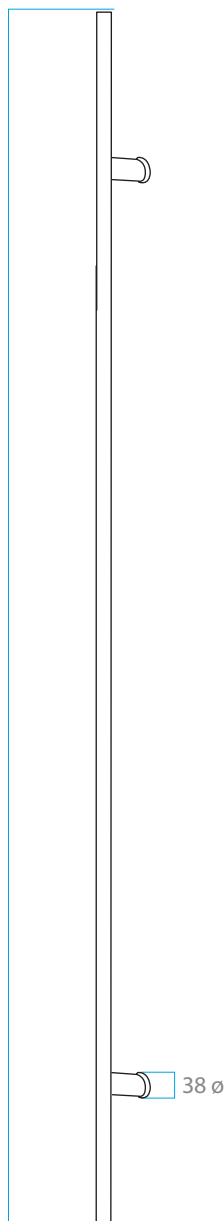
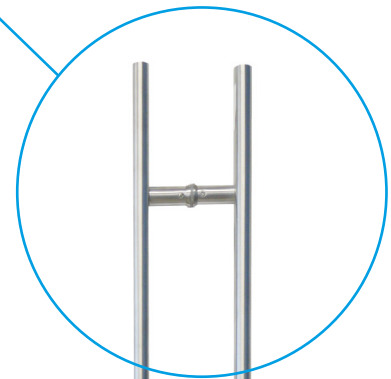
- Square design
- Satin stainless and mirror polished details
- Satin Stainless Steel 316
- 1500mm Straight
- 38mm Diameter
- Including 2 fixings with bolts
- Fits flush to doors
- Can be fitted on glass doors



Finish	Size	Material Construction	Coating Guarantee	Product Code
Satin Stainless	1500mm	316 Grade Stainless Steel	LIFETIME	PH1500S-QUAD-NANOCOAST

# DESIGNER SLIM

- Modern design
- Satin stainless and mirror polished details
- Satin Stainless Steel 316
- 1500mm Straight
- 38mm Diameter
- Including 2 fixings with bolts
- Fits flush to doors
- Can be fitted on glass doors



Finish	Size	Material Construction	Coating Guarantee	Product Code
Satin Stainless	1500mm	316 Grade Stainless Steel	LIFETIME	PH1500S-DESIGNERSLIM-NANOCOAST

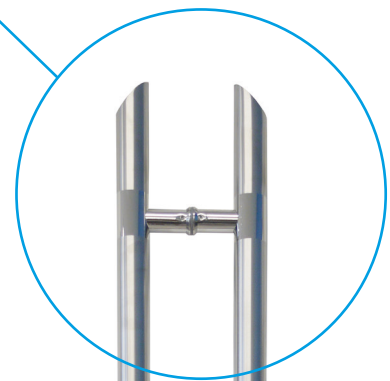
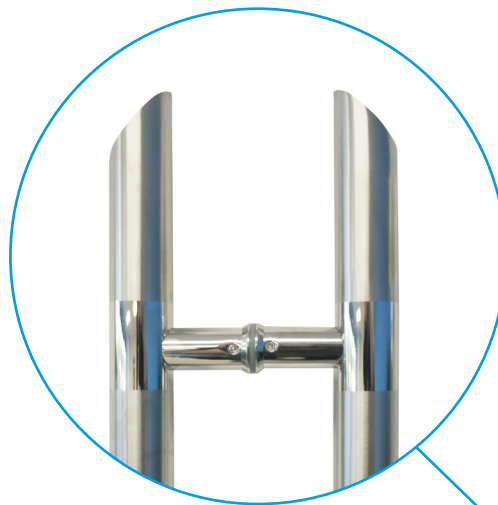
# TRIUMPH

- Modern design
- Satin stainless and mirror polished details
- Satin Stainless Steel 316
- 1500mm Straight
- 38mm Diameter
- Including 2 fixings with bolts
- Fits flush to doors
- Can be fitted on glass doors



1500

38 ø



Finish	Size	Material Construction	Coating Guarantee	Product Code
Satin Stainless	1500mm	316 Grade Stainless Steel	LIFETIME	PH1500S-TRIUMPH-NANOCOAST





## Brands



[www.uapcorporate.com](http://www.uapcorporate.com)  
[sales@uapcorporate.com](mailto:sales@uapcorporate.com)  
0161 796 7268

UAP Limited  
Unit 1 Albert Close Trading Estate  
Whitefield  
Manchester  
M45 8EH  
England, UK