

fullex[®]

POWERED BY

UAP
LIMITED

Multipoint Locks Brochure 2019

About Fullex

Fullex help door manufactures of all sizes, from all over the World build better, more secure doors. We've been the leading manufacturer of high security multi-point locking systems for composite, timber, PVCu, steel and aluminium door systems for more than 30 years.

Fullex offer high security residential multipoint locking systems for PVCu, Composite, Timber and Aluminium door systems. All of our locking systems are PAS24 capable, Document Q compliant and are registered under our Secured by Design licence. In fact, Fullex were the very first Secured by Design member, our locks not just designed to meet the standards, but to exceed them.

Our range of products includes seven PAS24 capable multipoint locks, TS007 3 Star British Standard Kitemarked Anti Snap/Anti Bump cylinders, CE marked PAS24 Composite butt hinges, Door handles, including TS007 2 Star options and a wide range of door hardware accessories.

With the inclusion of Document Q into Building Regulations in October 2015 for ground floor and easily accessible new build doors and windows, Fullex can offer help and support to fabricators wishing to gain PAS24 and Doc Q compliance.

We are also always keen to discuss bespoke locking options and our most recent development is a comprehensive PAS24, Document Q and Lifetime Home compliant security patio hardware set in co-operation with PVCu extrusion specialists Kommerling.



Fullex Testing Services

Fullex testing services is a UKAS accredited testing laboratory No. 2259 with over 15 years of testing experience.

We offer PAS 24: 2012 and PAS 24: 2016 testing for residential doors and windows. The PAS24 direct load and manual intervention testing provide a method for assessing the security of doors and windows against unauthorized forced entry from an opportunist burglar.

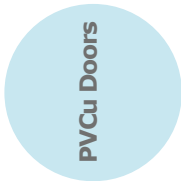



Fullex testing services offer indicative testing for development purposes in addition to full testing. All tests are carried out by our highly experienced team of test engineers.

Fullex Testing Services work closely with Secured by Design and our test results are accepted by BSI, BRE, BBA and Q-Mark for inclusion within their third party certification schemes.

Local authorities and housing associations frequently specify to these standards and the tests listed are the basis for Secured by Design accreditation. Since October 2015, the PAS24 test became the basis for Document Q compliance on new build homes.



fullex[®] SELECT YOUR LOCK

DOOR TYPE	SINGLE	DOUBLE	PATIO/SLIDING	STABLE	BIN STORAGE	PANIC
 PVCu Doors	XL SL16 uPVC Repair Lock 4-5 14-15 26-27	XL 4-5	Patio Interlock 18-19 20-21	-	Bin Lock 24-25	Exodus 22-23
 Timber Doors	XL Crimebeater Crimebeater Crimebeater 220 Pro SL16 8-9 10-11 12-13 14-15	Gemini 16-17	Patio Interlock 18-19 20-21	Gemini 16-17	Bin Lock 24-25	Exodus 22-23
 Composite Doors	XL Crimebeater Crimebeater Crimebeater 220 Pro SL16 8-9 10-11 12-13 14-15	Gemini 16-17	-	Gemini 16-17	Bin Lock 24-25	Exodus 22-23
 Aluminium Doors	XL SL16 4-5 14-15	XL 4-5	Patio Interlock 18-19 20-21	-	Bin Lock 24-25	Exodus 22-23

fullex[®] XL LOCKS



SINGLE AND DOUBLE DOORS

XL is available in a range of lock configurations and can be used with either one piece or individual keep sets.

The XL's attractive silver finish is also corrosion resistant to neutral salt spray in excess of BSEN1670 Grade 4, giving peace of mind to hard pressed fabricators and consumers.

- One piece or individual keeps
- 3 opposing steel hooks and two steel anti lift bolts
- Two or four roller cams
- Easily reversible latch as standard
- Dual, single or split spindle options
- Extendable top and bottom as standard
- Latch hold back snib on lock faceplate
- Comes with a 10 year guarantee
- For use on PVCu and Aluminium doors
- Comes with an anti-drill plate for extra security



Technical Data

Corrosion Resistance

BS EN 1670 Grade 4 for 240 hours

Cycle Operation

Cycle tested to 200,000 operations

Materials

Top and Bottom Hook

Chrome plated A3 hardened cast steel

Anti Lift Bolts

Chrome plated A3 hardened cast steel

Centre Hook

Dacromet coated A3 sintered steel

Faceplate and Gearbox

Mild steel, zinc and clear passivated

Roller Cams

Mild steel, zinc and clear passivated

For maximum security the XL Lock can be used with the Kinetica 3 star BSI Kitemarked TS007 cylinder.



Secured by Design



Police Preferred Specification



ACCESSORIES

Description	Old Product Code	New Product Code
120mm lock extension	XLEXT120	XL-120LOCKEXT
400mm roller extension	XLEXT400	XL-400ROLLEREXT
PAS24 security plates (pack of 3)	XLSP	XL-SECPLATES
2 x Mild steel shoot bolts	XLSB	XL-SHOOTBOLT
2 x Mild steel shoot bolts (low threshold)	XLSBLOW	XL-SHOOTBOLT-LOW

The XL was designed from the outset to offer maximum security and reliability. XL features three hooks, two steel anti lift bolts and the option of either two or four roller cams for compression and smooth operation. Every XL lock is extendable top and bottom for

maximum flexibility and when combined with Fullex high security shoot bolts, the XL door system is fully capable of meeting PAS24 requirements. The XL 3 hook also forms the heart of the CE marked XL Exodus Panic exit system and utilises the same lock preparation.

Faceplate = 2200mm x 16mm (Silver Passivated)

518mm Centres (needs 9 packers)

Spindle	Backset Size	Handle Backplate	Handle Centres	No of Hooks	Anti-Lift Bolts	No of Rollers	No of Mushrooms	Product Code
Dual	35mm	243mm	92mm or 92/62mm	3 (opposing)	2	2	0	XL32R518
Single	35mm	243mm or 219mm	92mm	3 (opposing)	2	2	0	XL32R518SP
Split	35mm	243mm or 219mm	92mm	3 (opposing)	2	2	0	XL32R518S/S

635/572mm Centres (needs 11 packers)

Spindle	Backset Size	Handle Backplate	Handle Centres	No of Hooks	Anti-Lift Bolts	No of Rollers	No of Mushrooms	Product Code
Dual	35mm	243mm	92mm or 92/62mm	3 (opposing)	2	4	0	XL34R6357
Single	35mm	243mm or 219mm	92mm	3 (opposing)	2	4	0	XL34R6357SP
Split	35mm	243mm or 219mm	92mm	3 (opposing)	2	4	0	XL34R6357S/S

650mm Centres (needs 9 packers)

Spindle	Backset Size	Handle Backplate	Handle Centres	No of Hooks	Anti-Lift Bolts	No of Rollers	No of Mushrooms	Product Code
Dual	35mm	243mm	92mm or 92/62mm	3 (opposing)	2	2	0	XL32R650
Single	35mm	243mm or 219mm	92mm	3 (opposing)	2	2	0	XL32R650SP
Split	35mm	243mm or 219mm	92mm	3 (opposing)	2	2	0	XL32R650S/S

735/758mm Centres (needs 11 packers)

Spindle	Backset Size	Handle Backplate	Handle Centres	No of Hooks	Anti-Lift Bolts	No of Rollers	No of Mushrooms	Product Code
Dual	35mm	243mm	92mm or 92/62mm	3 (opposing)	2	4	0	XL34R7474
Single	35mm	243mm or 219mm	92mm	3 (opposing)	2	4	0	XL34R7474SP
Split	35mm	243mm or 219mm	92mm	3 (opposing)	2	4	0	XL34R7474S/S

673/706mm Centres – 2+2 lock (needs 0 packers)

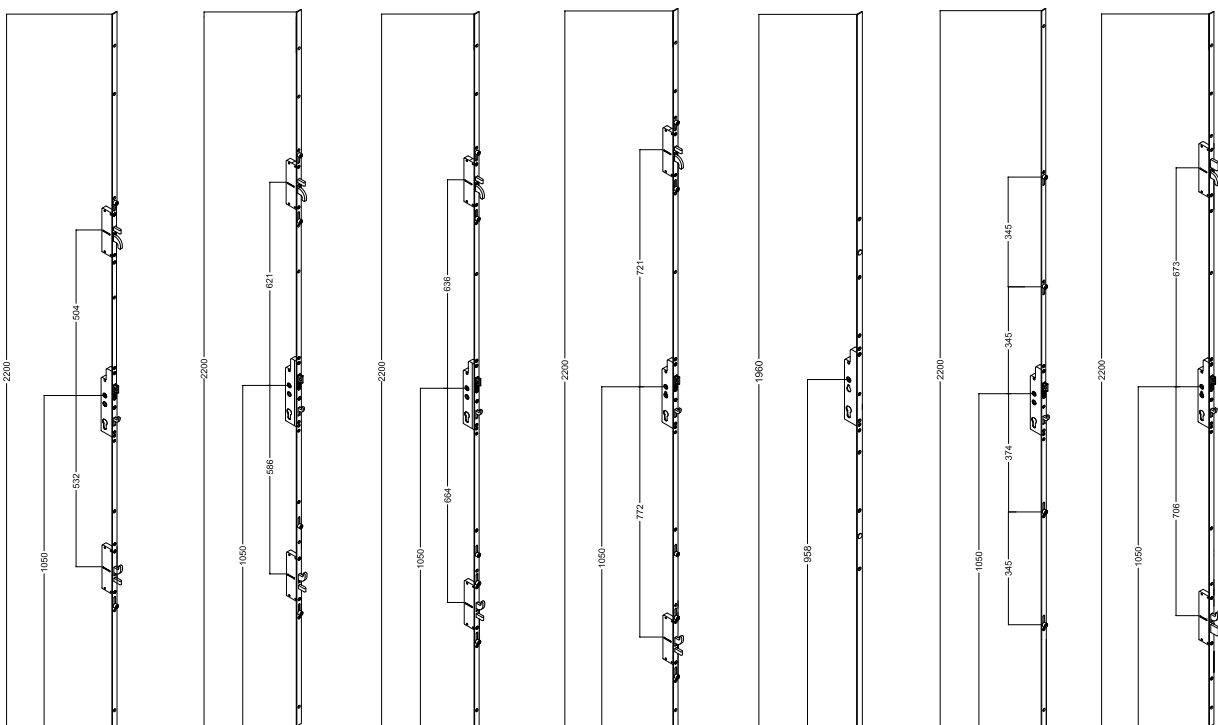
Spindle	Backset Size	Handle Backplate	Handle Centres	No of Hooks	Anti-Lift Bolts	No of Rollers	No of Mushrooms	Product Code
Dual	35mm	243mm	92mm or 92/62mm	3 (opposing)	2	0	0	XL-2+2

XL2R2M and XL4R Locks

Spindle	Backset Size	Handle Backplate	Handle Centres	No of Hooks	Dead Bolts	No of Rollers	No of Mushrooms	Product Code
Dual	35mm	243mm	92mm or 92/62mm	0	0	2	2	XL2R2M
Dual	35mm	243mm or 219mm	92mm	0	0	4	0	XL4RPRO

XL Slave Lock

Spindle	Backset Size	Handle Backplate	Handle Centres	No of Hooks	Anti-Lift Bolts	No of Rollers	No of Mushrooms	Product Code
Single	35mm	243mm or 219mm	92mm	0	0	0	0	XLSL



518mm Centres

635/572mm Centres

650mm Centres

735/758mm Centres

XL Slave Lock

XL2R2M and XL4R

XL2+2

fullex[®] XL 2+2

PVCu Doors

Aluminium
Doors

SINGLE AND DOUBLE DOORS

The XL 2+2 lock and keep were developed by Fullex specifically to suit the Profile 22 Optima system. Based on the successful dual spindle XL lock, which is a direct descendent of the highly regarded Crimebeater range, the XI 2+2 lock shares many components in its design, but adds additional locking elements.

Although similar to the standard XL lock, the XL 2+2 has no roller – compression is achieved by using larger top and bottom bolts to pull the door seals in. It features three opposing steel hooks and two compressing deep throw anti-lift bolts for smooth operation and security. PAS 24 performance on single, double and composite doors.

The one piece stainless steel keep has a completely non-handed design, suitable for PAS 24 testing and is pre-set with permanently attached Profile 22 Optima packers.

Completely non handed design

Suitable for PAS24 testing

Stainless steel for high corrosion resistance

Pre set to suit profile

Brushed stainless steel finish as specified

Low resistance nylon inserts on keep pockets

Cam adjustment for ease of fitting

3 opposing hooks and 2 compressing deep throw anti lift bolts

Easily reversible latch with latch snib

Dual spindle



Materials

Top and Bottom Hook

Chrome plated A3 hardened cast steel

Anti Lift Bolts

Chrome plated A3 hardened cast steel

Centre Hook

Dacromet coated AB sintered steel

Faceplate and Gearbox

Mild steel, zinc and clear passivated

Roller Cams

Mild steel, zinc and clear passivated

For maximum security the XL Lock can be used with the Kinetica 3 star BSI Kitemarked TS007 cylinder.



Secured by Design



Police Preferred Specification

PAS
24

ENHANCED
SECURITY
PERFORMANCE
APPROVED

Faceplate = 2200mm x 16mm (Silver Passivated)

673/706mm Centres – 2+2 lock (needs 0 packers)

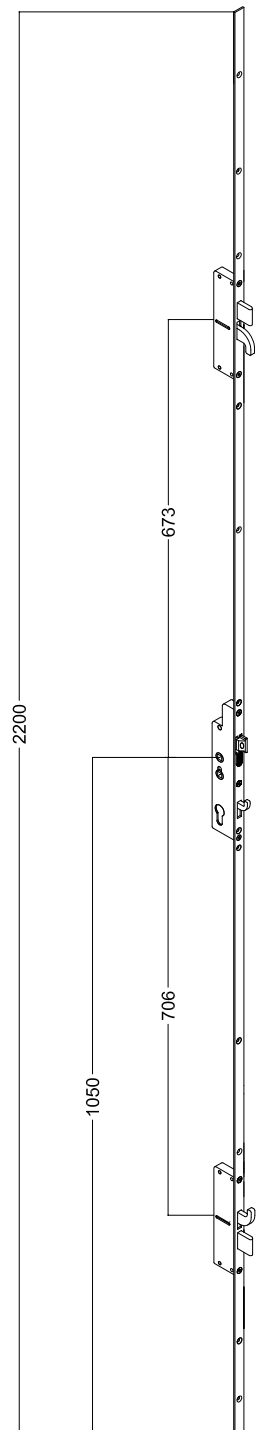
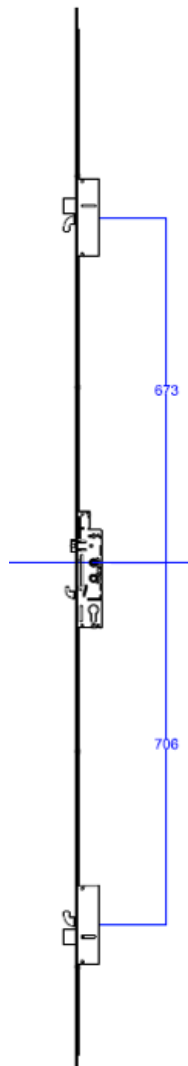
Spindle	Backset Size	Handle Backplate	Handle Centres	No of Hooks	Anti-Lift Bolts	No of Rollers	No of Mushrooms	Product Code
Dual	35mm	243mm	92mm or 92/62mm	3 (opposing)	2	0	0	XL-2+2

Keep Sets

Handed	Centres	Product Code
Non	673/706mm	XLK2+2 673/706 KEEP

ACCESSORIES

Description	Old Product Code	New Product Code
120mm lock extension	XLEXT120	XL-120LOCKEXT
PAS24 security plates (pack of 3)	XLSP	XL-SECPLATES
2 x Mild steel shoot bolts	XLSB	XL-SHOOTBOLT
2 x Mild steel shoot bolts (low threshold)	XLSBLOW	XL-SHOOTBOLT-LOW



fullex[®] XL CRIMEBEATER

SINGLE DOORS

Fullex XL Crimebeater is engineered to provide long term reliability and security.

With 3 hook or 2 deadbolt and 1 hook variants available, in 20mm silver passivated steel or 44mm wrap around white and brown PVCu faceplates, the XL Crimebeater is not only secure but adaptable.

Composite
Doors

Timber
Doors

PAS 24 tested

Option 1 - 2 tapered steel hooks,
latch and sintered centre hook

Option 2 – 2 deadbolts, centre hook and latch

Dual spindle for front / back door options

Easily reversible latch as standard

Integral hold back latch function
on lock faceplate

Various adjustable security keep
sets available

Comes with an anti-drill plate for extra security



Technical Data

Corrosion Resistance

BS EN 1670 Grade 5 (480 hours)

Cycle Operation

Cycle tested to 100,000 operations

Materials

Top and Bottom Hook

Chrome plated A3 hardened cast steel

Deadbolt

Chrome plated A3 hardened cast steel

Centre Hook

Sintered steel

Faceplate

20mm silver passivated mild steel
or 44mm white PVCu

Gearbox

Silver passivated mild steel

For maximum security the XL
Crimebeater Lock can be used with
the Kinetica 3 star BSI Kitemarked
TS007 cylinder.



Secured by Design



Police Preferred Specification

PAS
24

ENHANCED
SECURITY
PERFORMANCE
APPROVED

The XL Crimebeater is available as a 92/62mm dual spindle for use with 92/92 or 92/62mm long backplate handles.

The 44mm PVCu faceplate version has a matching hinge plate, either blank or prepared for Crimebeater hinges.

Faceplate: 2100mm x 44mm (White PVCu)



Spindle	Backset Size	Handle Backplate	Handle Centres	No of Hooks	No of Deadbolts	No of Mushrooms	Old Product Code	New Product Code
Dual	45mm	243mm	92mm or 92/62mm	3 (opposing)	0	0	XLC45HK44W7D	XLC-45-HK-2100-44

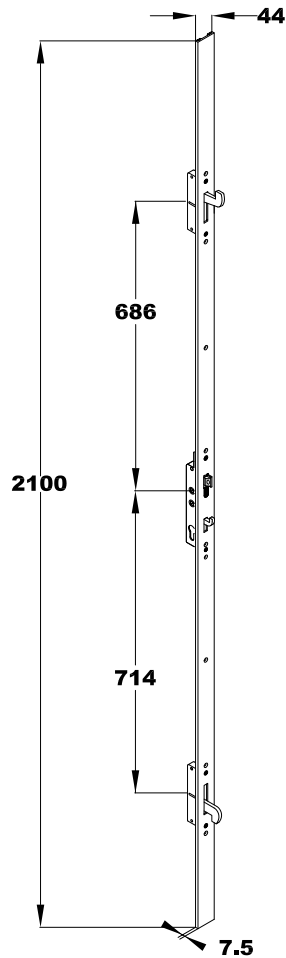
Faceplate: 1720mm x 20mm (Silver Passivated)



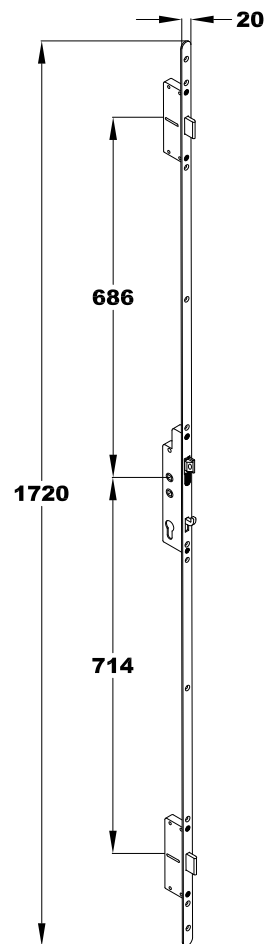
Spindle	Backset Size	Handle Backplate	Handle Centres	No of Hooks	No of Deadbolts	No of Mushrooms	Old Product Code	New Product Code
Dual	35mm	243mm	92mm or 92/62mm	1 (up)	2	0	XLC35BT20MS	XLC-35-BT-1720-20
Dual	45mm	243mm	92mm or 92/62mm	1 (up)	2	0	XLC45BT20MS	XLC-45-BT-1720-20
Dual	35mm	243mm	92mm or 92/62mm	3 (opposing)	0	0	XLC35HK20MS	XLC-35-HK-1720-20
Dual	45mm	243mm	92mm or 92/62mm	3 (opposing)	0	0	XLC45HK20MS	XLC-45-HK-1720-20

ACCESSORIES

Description	Old Product Code	New Product Code
White uPVC hinge plate 7.5mm	XLCHPLATEW7D	XLC-HINGEPLATEWH
White uPVC hinge plate 7.5mm suit Trojan hinge	XLCHPLATEW7DT	XLC-HINGEPLATEWH-TROJAN
Brown uPVC hinge plate 7.5mm	XLCHPLATEB7D	XLC-HINGEPLATEBR
White plastic hinge infill	CL0097	HINGEINFILLWH
White plastic infill plus 5mm leg	CL102	HINGEINFILLWH-5MM
Brown plastic hinge infill	CL103	HINGEINFILLBR



2100mm x 44mm
White PVCu

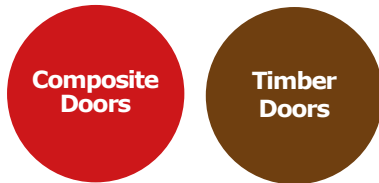


1720mm x 20mm
Silver Passivated

fullex[®] CRIMEBEATER

SINGLE DOORS

Fullex Crimebeater is engineered to provide long term reliability and security. Widely specified, Fullex Crimebeater has been fitted to hundreds of thousands of doors in the UK.



PAS 24 tested

2 tapered steel hooks, deadbolt and latch or 3 deadbolts and latch

Dual or single spindle option

Integral hold back latch function on lock faceplate

Easily reversible latch as standard

Various adjustable security keep sets available

For use with composite and timber doors

Comes with an anti-drill plate for extra security

With 3 deadbolt and 2 hook and deadbolt variants available, in 20mm 304 stainless steel or 44mm wrap around white aluminium powder coated faceplates, Crimebeater is not only secure, but adaptable.

Crimebeater is UKAS tested to PAS24 standard and licensed to the Police approved Secured by Design standard.



Technical Data

Corrosion Resistance

BS EN 1670 Grade 5 (480 hours)

Cycle Operation

Cycle tested to 100,000 operations

Materials

Top and Bottom Hook

Chrome plated A3 hardened cast steel

Deadbolt

Chrome plated A3 hardened cast steel

Centre Deadbolt

CZ122 brass stamping

Faceplate

20mm 304 austenitic stainless steel or 44mm white aluminium powder coated

Gearbox

Zinc and clear passivated mild steel

For maximum security the Crimebeater Lock can be used with the Kinetica 3 star BSI Kitemarked TS007 cylinder.



Secured by Design



Police Preferred Specification



Available in dual spindle for use with 92mm/92mm or 92mm/62mm long backplate handles.

The 44mm faceplate version has a matching white hinge plate, either blank or prepared for Crimebeater door hinges.

Faceplate: 1720mm x 20mm (Stainless Steel)
700mm Centres



Spindle	Backset Size	Handle Backplate	Handle Centres	No of Hooks	No of Deadbolts	No of Mushrooms	Old Product Code	New Product Code
Dual	35mm	243mm	92mm or 92/62mm	0	3	0	CRB0001	CRB-35-BT-1720-20
Dual	45mm	243mm	92mm or 92/62mm	0	3	0	CRB0002	CRB-45-BT-1720-20
Dual	55mm	243mm	92mm or 92/62mm	0	3	0	CRB0003	CRB-55-BT-1720-20
Dual	35mm	243mm	92mm or 92/62mm	2 (down)	1	0	CRB0004	CRB-35-HK-1720-20
Dual	45mm	243mm	92mm or 92/62mm	2 (down)	1	0	CRB0005	CRB-45-HK-1720-20

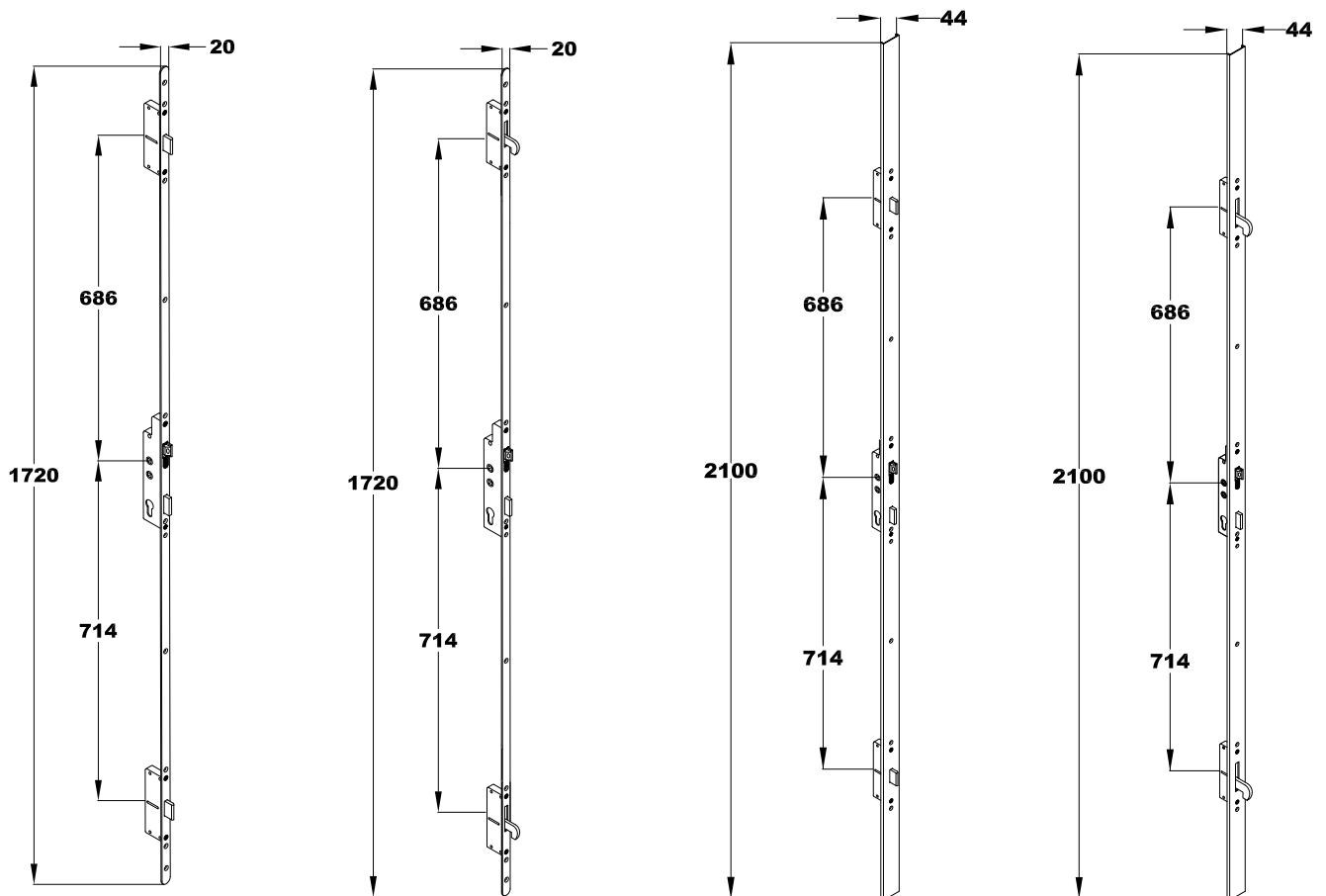
Faceplate: 2100mm x 44mm (White Aluminium)
700mm Centres



Spindle	Backset Size	Handle Backplate	Handle Centres	No of Hooks	No of Deadbolts	No of Mushrooms	Old Product Code	New Product Code
Dual	35mm	243mm	92mm or 92/62mm	0	3	0	CRB0027	CRB-35-BT-2100-44
Dual	45mm	243mm	92mm or 92/62mm	0	3	0	CRB0028	CRB-45-BT-2100-44
Dual	35mm	243mm	92mm or 92/62mm	2 (down)	1	0	CRB0030	CRB-35-HK-2100-44
Dual	45mm	243mm	92mm or 92/62mm	2 (down)	1	0	CRB0031	CRB-45-HK-2100-44

ACCESSORIES

Description	Old Product Code	New Product Code
White plastic hinge infill	CL0097	HINGEINFILLWH
White plastic infill plus 5mm leg	CL102	HINGEINFILLWH-5MM
Brown plastic hinge infill	CL103	HINGEINFILLBR
Hinge plate to suits Crimebeater 3D and cranked hinge	21171P-10	CRB-HINGEPLATEWH
20mm cylinder guard	70018	CRB-CYLGUARD-20MM
24mm cylinder guard	70017	CRB-CYLGUARD-24MM



1720mm x 20mm (bolts)

1720mm x 20mm (hooks)

2100mm x 44mm (bolts)

2100mm x 44mm (hooks)

fullex[®] CRIMEBEATER 220 PRO

SINGLE DOORS

The Crimebeater 220 Pro is suitable for composite and timber doors.

Boasting exceptional security, the Crimebeater Pro 220 is a great choice for an inexpensive multipoint lock.

Each Crimebeater 220 Pro lock is Zinc and clear passivated.

This combination ensures corrosion resistance quality, creating a long lasting, durable product.

Composite
Doors

Timber
Doors

Deadbolt throws when the handle is lifted

2 opposing steel hooks, deadbolt and latch

Inline split spindle lock

Easily reversible latch

Includes latch hold back snib on lock faceplate

1570mm x 20mm or 1770mm x 20mm
faceplate with radius ends

For use on composite and timber doors

Comes with a 10 year guarantee

Corrosion resistant unhandled stainless steel keep set

Comes with an anti-drill plate for extra security

Designed
for volume door
manufacturers



Technical Data

Corrosion Resistance

BS EN 1670 Grade 4 for 240 hours

Cycle Operation

Cycle tested to 50,000 operations

Materials

Top and Bottom Hook

Hardened cast steel

Faceplate

Mild steel, zinc and clear passivated

For maximum security the Crimebeater 220 Pro Lock can be used with the Kinetica 3 star BSI Kitemarked TS007 cylinder.



Secured by Design



Police Preferred Specification

PAS
24

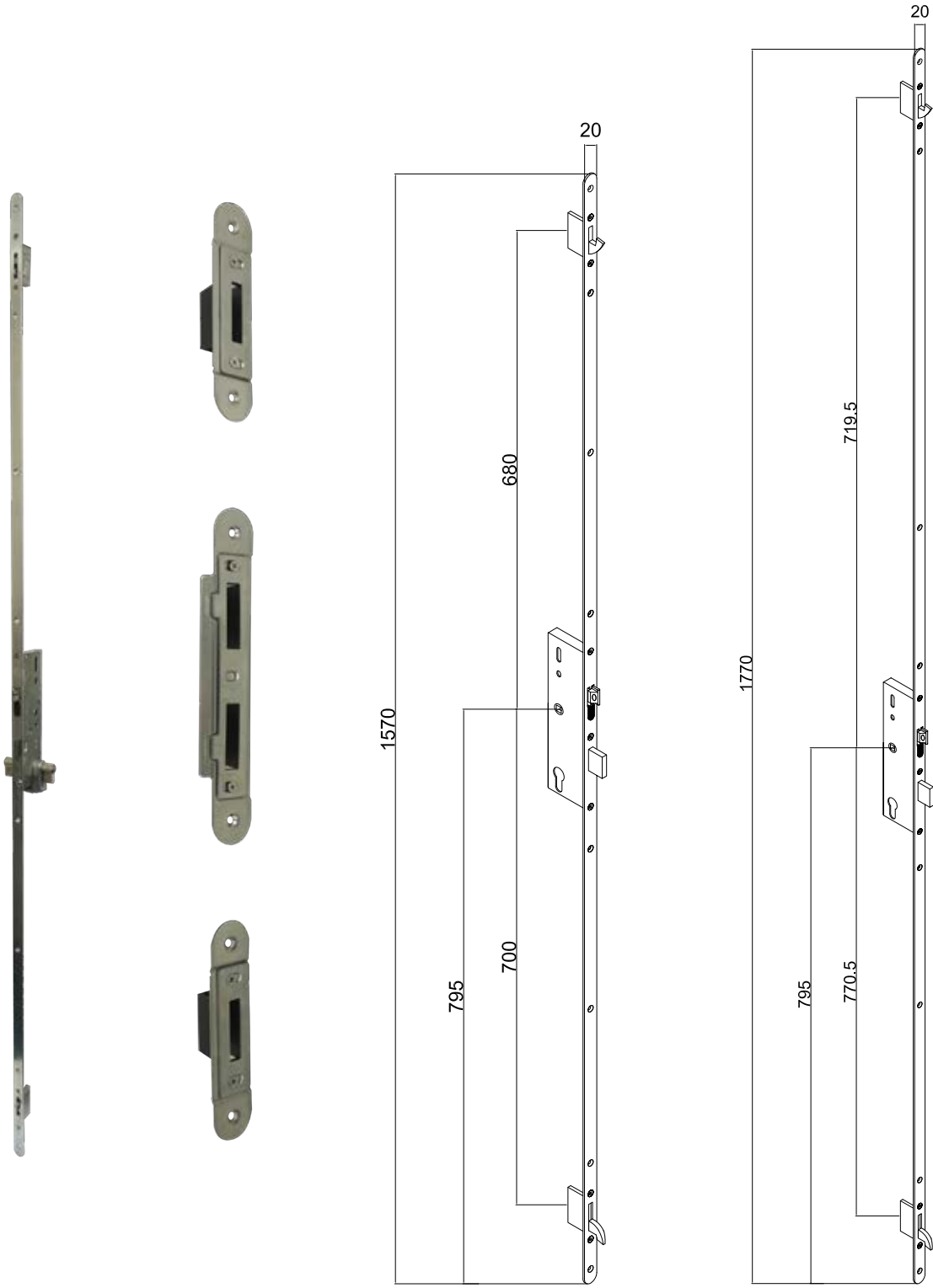
ENHANCED
SECURITY
PERFORMANCE
APPROVED

Faceplate: 1570mm x 20mm (Zinc and Clear Passivated)

Spindle	Backset Size	Handle Backplate	Handle Centres	No of Hooks	No of Deadbolts	No of Mushrooms	Old Product Code	New Product Code
Split	45mm	219 or 243mm	92mm	2 (opposing)	1	0	CRB 220 PRO HK 45MM	CRB220PRO-1570-20

Faceplate: 1770mm x 20mm (Zinc and Clear Passivated)

Spindle	Backset Size	Handle Backplate	Handle Centres	No of Hooks	No of Deadbolts	No of Mushrooms	Old Product Code	New Product Code
Split	45mm	219 or 243mm	92mm	2 (opposing)	1	0	CRB 220 PRO 710-719	CRB220PRO-1770-20



CRB220PRO-1570

CRB220PRO-1770

full[®]ex *SL16 MULTIBOLT*

SINGLE DOORS

The SL16 Multibolt has gained an enviable reputation in all markets for strength and reliability in over 17 years of successful service.

Performing to in excess of 9Kn during PAS24 testing, SL16 is one of the most secure locks available and is widely used on PVCu, Composite, Timber, Steel and Aluminium doors.



PAS 24 tested

Inline split spindle

Integral hold back latch function on lock faceplate

Easily reversible latch as standard

Various adjustable security keep sets available

Possible to have an additional single hook



Technical Data

Corrosion Resistance

BS EN 1670 Grade 5 (480 hours)

Cycle Operation

Cycle tested to 100,000 operations

Materials

Top and Bottom Bolts

CZ122 brass stamping

Deadbolt

Chrome plated A3 hardened cast steel

Centre Deadbolt

CZ122 brass stamping

Faceplate

20mm 304 austenitic stainless steel

Gearbox

Zinc and clear passivated

Secured by Design



Police Preferred Specification



The SL16 deadbolts are chamfered to pull in smoothly and have a 20mm long throw for maximum security on any door type.

For maximum security the SL16 can be used with the Kinetica 3 star BSI Kitemarked TS007 cylinder.



Faceplate: 1770mm x 20mm (Stainless Steel)

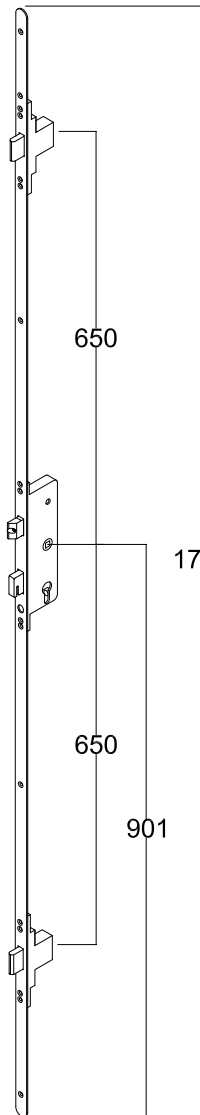
Spindle	Backset Size	Faceplate Width	Handle Backplate	Handle Centres	Latch Size	No of Hooks	No of Deadbolts	Old Product Code	New Product Code
Split	35mm	20mm	240mm	68PZ	51mm	0	3	SL160053	SL16-35-BT-1770-20
Split	35mm	20mm	240mm	68PZ	51mm	1 (down)	3	SL160054	SL16-35-HK-1770-20
Split	45mm	20mm	240mm	68PZ	51mm	0	3	SL160108	SL16-45-BT-1770-20
Split	45mm	20mm	240mm	68PZ	51mm	1 (down)	3	SL160107	SL16-45-HK-1770-20
Split	55mm	20mm	240mm	68PZ	51mm	0	3	SL160074	SL16-55-BT-1770-20

Faceplate: 1770mm x 16mm (Stainless Steel)

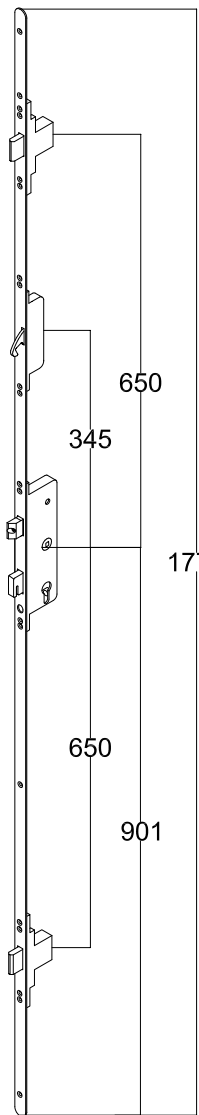
Spindle	Backset Size	Faceplate Width	Handle Backplate	Handle Centres	Latch Size	No of Hooks	No of Deadbolts	Old Product Code	Product Code
Split	35mm	16mm	240mm	68PZ	51mm	1 (down)	3	SL160005	SL16-35-HK-1770-16

Faceplate: 2200mm x 16mm (Stainless Steel)

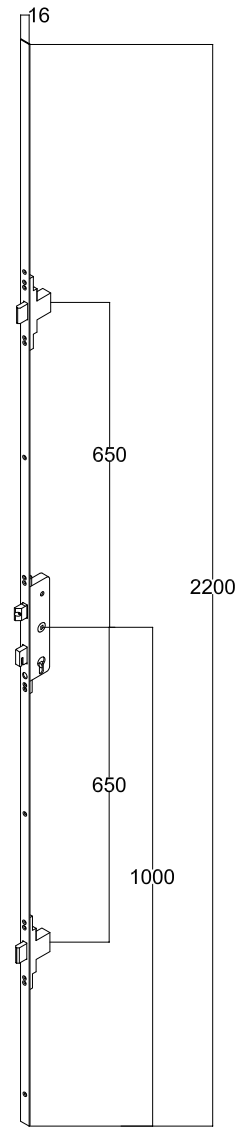
Spindle	Backset Size	Faceplate Width	Handle Backplate	Handle Centres	Latch Size	No of Hooks	No of Deadbolts	Old Product Code	Product Code
Split	35mm	16mm	240mm	68PZ	51mm	0	3	SL160004	SL16-35-BT-2200-16



1770mm
(bolts)



1770mm
(hooks)



2200mm x 16mm

fullex[®] *GEMINI DOUBLE*

DOUBLE AND STABLE DOORS

With a range of hardwearing and attractively finished extrusions available for 44mm composite door and with a direct fit option for Timber doors, Fullex Gemini is adaptable and secure.



Composite
Doors



Timber
Doors



Stable Style
Doors



Creates a fully
rebated door

PAS 24 tested

Tapered top and bottom deadbolts offer high security and compression

Double operating handle option or dummy external handle to slave

Split spindle option for use on front door applications

304 grade stainless steel faceplate and slave lock for high corrosion resistance



Technical Data

Corrosion Resistance

BS EN 1670 Grade 5 (480 hours)

Cycle Operation

Cycle tested to 100,000 operations

Materials

Top and Bottom Dead Bolts

CZ122 brass stamping

Deadbolt

CZ122 brass stamping

Faceplate

304 austenitic stainless steel

Gearbox

Zinc and clear passivated

Carrier Extrusions

White or polished anodised silver and gold

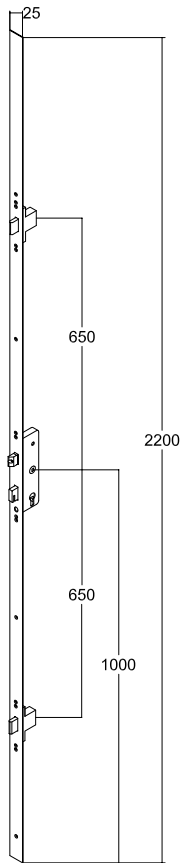
Secured by Design



Police Preferred Specification

For maximum security the Gemini Double can be used with the Kinetica 3 star BSI Kitemarked TS007 cylinder.





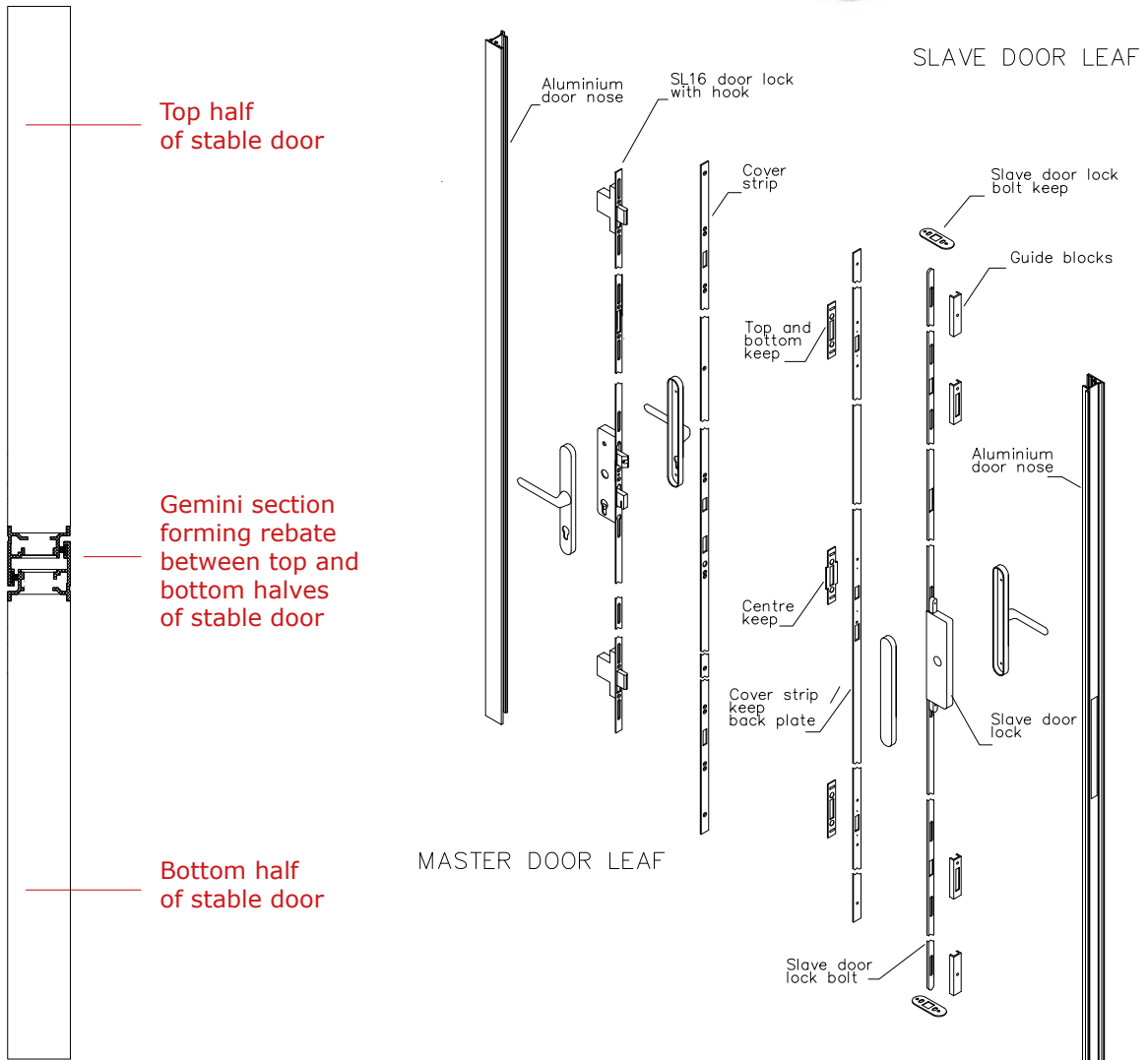
Finish	Old Product Code Right Hand Opening Out	Old Product Code Right Hand Opening In	New Product Code
White Painted	GM100-10-2150	GM102-10-2150	GEMINI-WHITE
Silver Anodised	GM100-40-2150	GM102-40-2150	GEMINI-SILVER
Gold Anodised	GM100-80-2150	GM102-80-2150	GEMINI-GOLD

SL16 Lock Faceplate: 2150mm x 25mm (Stainless Steel)

Spindle	Backset Size	Faceplate Width	Handle Backplate	Handle Centres	No of Deadbolts
Split	45mm	25mm	240mm	68PZ	3



SL16 Lock



fullex[®] PATIO LOCK

PATIO AND SLIDING DOORS

Fullex patio door lock has been designed to offer high security and long term reliability. It is available in 2 versions: 1414mm 6 hook and 1753mm 8 hook. They are suitable for all major PVCu profiles and boast exceptional security as well as durability.

Each patio door lock has been manufactured using Austenitic stainless steel, offering maximum corrosion resistance and creating a long lasting, durable product.

As with all Fullex Locks, the patio door lock is both Secured by Design licenced and PAS 24 tested.



PAS 24 tested

Available in 1414mm 6 hook and 1753mm 8 hook versions

Opposing stainless steel hooks and centre anti lift bolt

Inclusive mishandling device to prevent damage to lock and keep

Shootbolt extendable at top and bottom as standard

One piece stainless steel keep



Technical Data

Corrosion Resistance

BS EN 1670 Grade 5 (480 hours)

Cycle Operation

Cycle tested to 100,000 operations

Materials

Top and Bottom Hook

Stainless Steel

Anti Lift Bolt

Stainless Steel

Faceplate

Stainless Steel

Gearbox

Stainless Steel centre gearbox

One Piece Keep

Stainless Steel

For maximum security the Patio Lock can be used with the Kinetica 3 star BSI Kitemarked TS007 cylinder.



Secured by Design



Police Preferred Specification



Whether you choose the 6 or 8 hook option, all hooks are opposing which makes it extremely difficult to lift them out. There is also a central anti-lift bolt to make this even more challenging.

On either patio lock, there is the option to add shootbolts at the top and the bottom. The shootbolts fire out securing the door further when it is locked.

Fullex Patio Locks have also been designed with an inclusive mishandling device. The device pushes in when the door is fully closed which then allows for the lock to be operated. This not only makes locking the door much smoother but also prevents damage to both the lock and the keep.

Faceplate: 1414mm x 16mm (Stainless Steel)

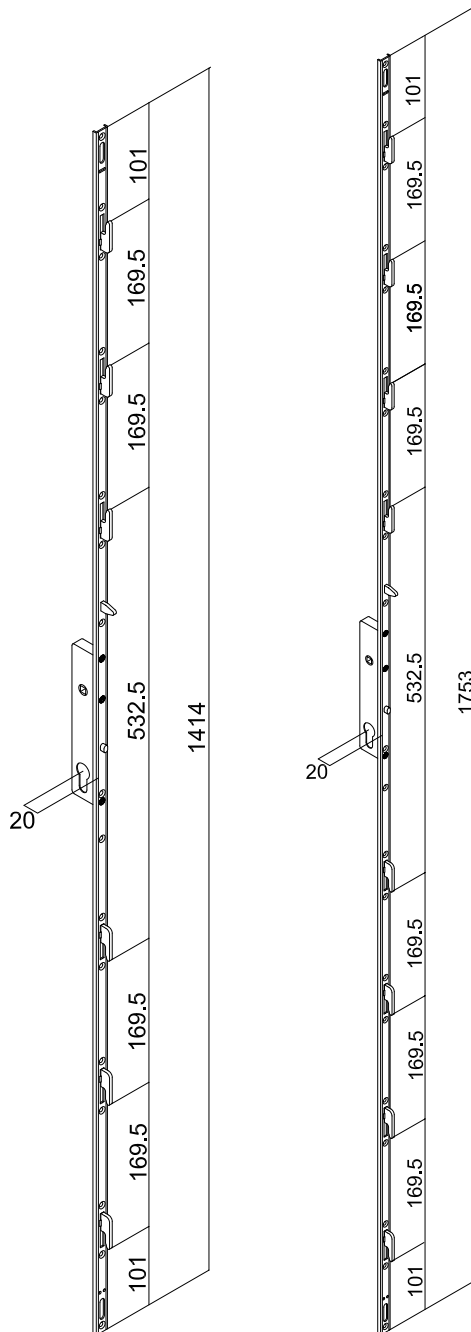
Spindle	Backset Size	Handle Backplate	Handle Centres	No of Hooks	Anti-Lift Bolts	Old Product Code	New Product Code
7mm	20mm	219mm	92mm	6 (opposing)	1	PD1000	PATIO-6HOOKS

Faceplate: 1753mm x 16mm (Stainless Steel)

Spindle	Backset Size	Handle Backplate	Handle Centres	No of Hooks	Anti-Lift Bolts	Old Product Code	New Product Code
7mm	20mm	219mm	92mm	8 (opposing)	1	PD2000	PATIO-8HOOKS

ACCESSORIES

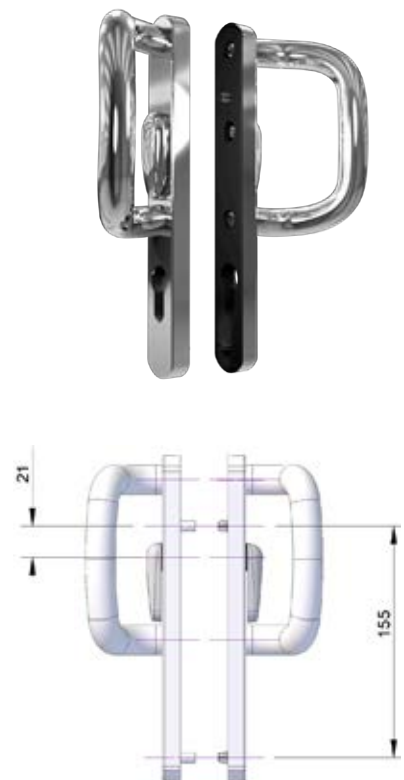
Description	Old Product Code	New Product Code
16mm white end plug	PDKEP1016W	PATIO-ENDPLUGWH
2 x 262mm shoot bolts and shoot bolts keeps	PDSB+KE	PATIO-SHOOTBOLTS
Patio door rollers	PDROLL	PATIO-ROLLERS



PD1000

PD2000

Ideal to be fitted with the UAP patio door handle



fullex[®] PATIO INTERLOCK

PATIO AND SLIDING DOORS

The fullex patio interlock kit is available for either a two pane or four pane single slider. Each kit contains a 8 hook PD2000, as well as rollers, shoot bolt set, interlock lock, interlock keeps and interlock corner shoot bolts.

Secured by Design



Police Preferred Specification



PAS 24 tested

Interlock with Bi-directional hooks

Comes with a 10 year guarantee

Kinetica 3 star BSI Kitemarked TS007 cylinder included

A two pane single slider kit contains:

- One 8 hook patio lock PATIO-8HOOKS
- One 8 hook patio keep, 12 or 16mm dependant on profile being used.
- One pair of stainless steel patio rollers.
- One shoot bolt set.
- One Kinetica 3* cylinder.
- One interlock lock.
- One set of interlock keeps.
- One interlock corner shoot bolt.

A four pane single slider kit contains:

- One 8 hook patio lock PATIO-8HOOKS
- One 8 hook patio keep, 12 or 16mm dependant on profile being used.
- One pair of stainless steel patio rollers.
- One shoot bolt set.
- One Kinetica 3* cylinder.
- Two interlock locks.
- Two sets of interlock keeps.
- Two interlock corner shoot bolts.



Technical Data

Corrosion Resistance

BS EN1670 Grade 5 for 480 hours

Cycle Operation

Cycle tested to 50,000 operations

Materials

Top and Bottom Hook

A3 Steel

Anti Lift Bolt

A3 Steel

8 Hook Patio Lock Faceplate

202 stainless steel

8 Hook Patio Gearbox

202 stainless steel

Interlock Faceplate

304 stainless steel

Interlock Gearbox

Mild steel zinc plated

Patent Pending

Interlock

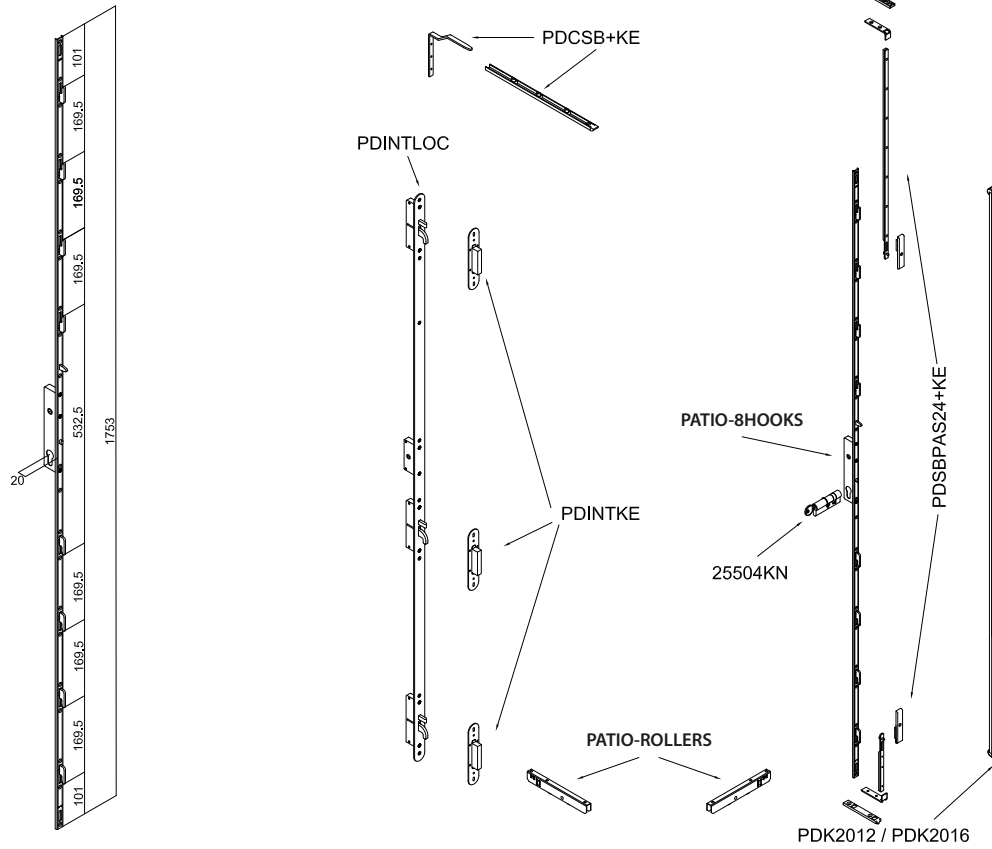
Spindle	Backset Size	Handle Backplate	Handle Centres	No of Hooks	Anti-Lift Bolts
7mm	30mm	N/A	N/A	3 (down)	3

Patio 8 hooks lock

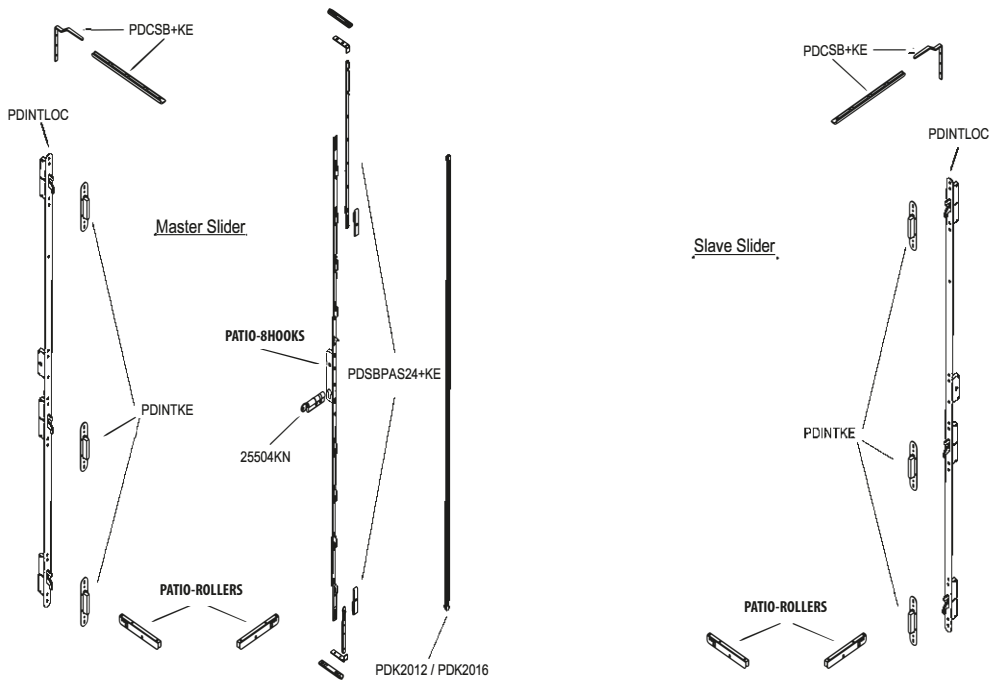
Spindle	Backset Size	Handle Backplate	Handle Centres	No of Hooks	Anti-Lift Bolts
7mm	20mm	219mm	92mm	8 (opposite)	1

Patio 8 hooks lock

Two pane single patio Interlock kit



Type	Old Product Code	New Product Code
2 pane single slider kit	H038	INTERLOCK-2PANE
4 pane single slider kit	H054	INTERLOCK-4PANE



Four pane two slider patio interlock kit

ACCESSORIES

Description	Old Product Code	New Product Code
Patio door rollers	PDROLL	PATIO-ROLLERS
Interlock handle white	PDINTHW	INTERLOCK-HANDLE-WH
Interlock handle black	PDINTHB	INTERLOCK-HANDLE-BL
Interlock handle chrome	PDINTHC	INTERLOCK-HANDLE-CH



fullex[®] EXODUS PANIC EXIT SYSTEM

PANIC AND EMERGENCY EXIT DOORS

XL Exodus Panic Hardware is the only emergency exit system that can be used with Fullex multipoint locks. It comes with a full width, powder coated steel crash bar which can quickly be pushed to release the lock and open the door – allowing anyone inside to exit swiftly and safely. Re-engaging the locking system is also simple, as it just requires the crash bar arm to be lifted back into position.

The system is for single doors and can be used on uPVC, Composite, Timber, Aluminium and Steel materials. It can also be installed with an external operating handle if desired and comes with a matching slave unit.



PAS 24 tested

For use on single PVCu, Composite, Timber, Aluminium or Steel doors

Designed for use with the Fullex XL Lock and the Fullex XL Crimebeater

Comes with matching slave unit with one piece or individual keep sets available

Full width crash bar with optional external handle

CE marked and comes with a 10 year guarantee



Technical Data

Corrosion Resistance

BS EN 1670 Grade 4 (240 hours)

Cycle Operation

Cycle tested to 200,000 operations

Materials

Top and Bottom Hook

Hardened cast steel

Deadbolt

Hardened cast steel

Faceplate

16 or 20mm silver passivated mild steel, white or brown 44mm PVCu with matching hingeplate

Centre Hook

Sintered steel

Push Pad and Slave Unit

Black powder coated

Crash Bar

Powder coated steel

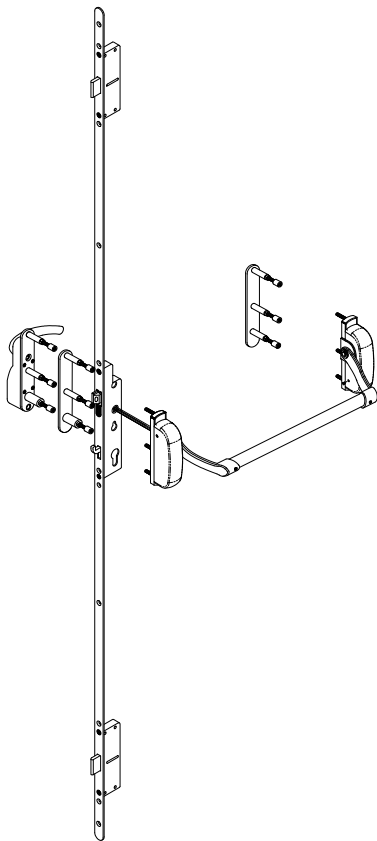
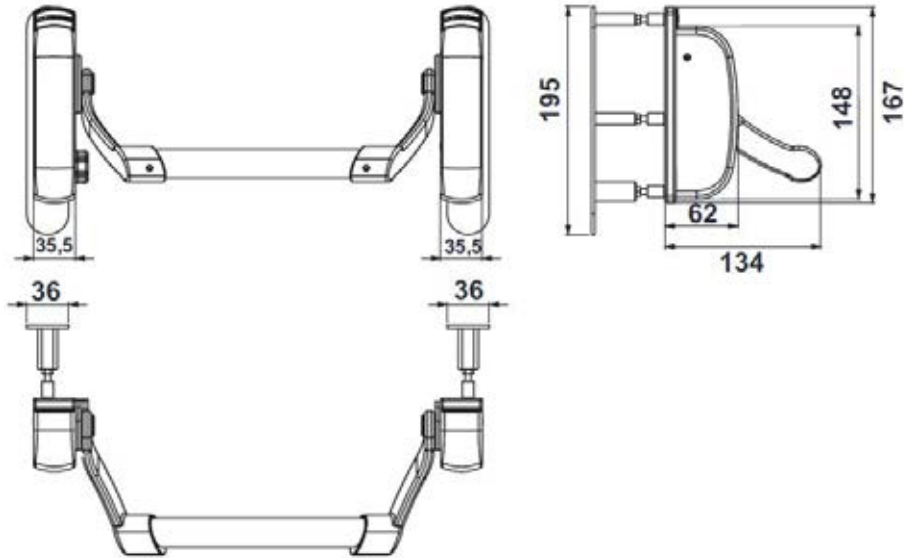


1125

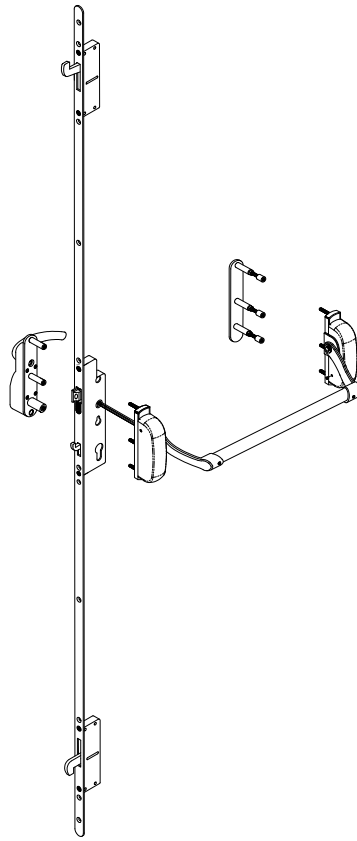


The XL Exodus is an EN1125:2008 tested and CE marked system which provides a rapid way out from the inside, whilst retaining maximum security from the outside.

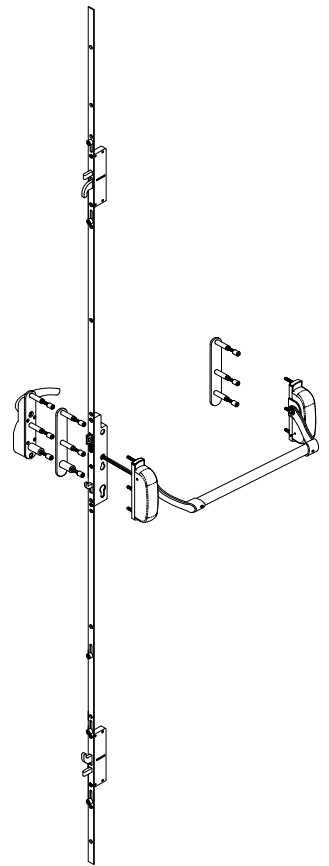
It can only be used with the Fullex XL Lock or the Fullex XL Crimebeater, which are both PAS24 compliant, Secured by Design licensed and highly secure.



XL Exodus flush door bolts



XL Exodus flush door hooks



XL Exodus PVCu

External Handle	Product Code
No	XLEXODUS1
Yes	XLEXODUS2

fullex[®] *BIN LOCK*

BIN STORAGE DOORS

The Fullex Bin Store lock offers a secure and reliable temporary security solution

Suitable as a temporary lock to replace the majority of multi point locks while a replacement

is sourced; the Bin Store Lock is designed for professional installers. In the event that a suitable lock is not immediately available, the Bin Store Lock can be used as a temporary security solution.



Secured by Design



Police Preferred Specification



For use on timber and composite doors

Available in dual spindle

Easily reversible latch

Includes latch hold back snib on lock faceplate

Comes with a universal, unhandled keep

Tested to 200,000 full cycles

Corrosion resistance tested to BSEN1670 Grade 4 for 240 hours



Technical Data

Corrosion Resistance

BS EN 1670 Grade 4

Cycle Operation

Cycle tested to 200,000 cycles

Materials

Hook

Sintered AB steel

Faceplate

Zinc and clear passivated

Gearbox

Zinc and clear passivated

For maximum security the Bin Lock can be used with the Kinetica 3 star BSI Kitemarked TS007 cylinder.

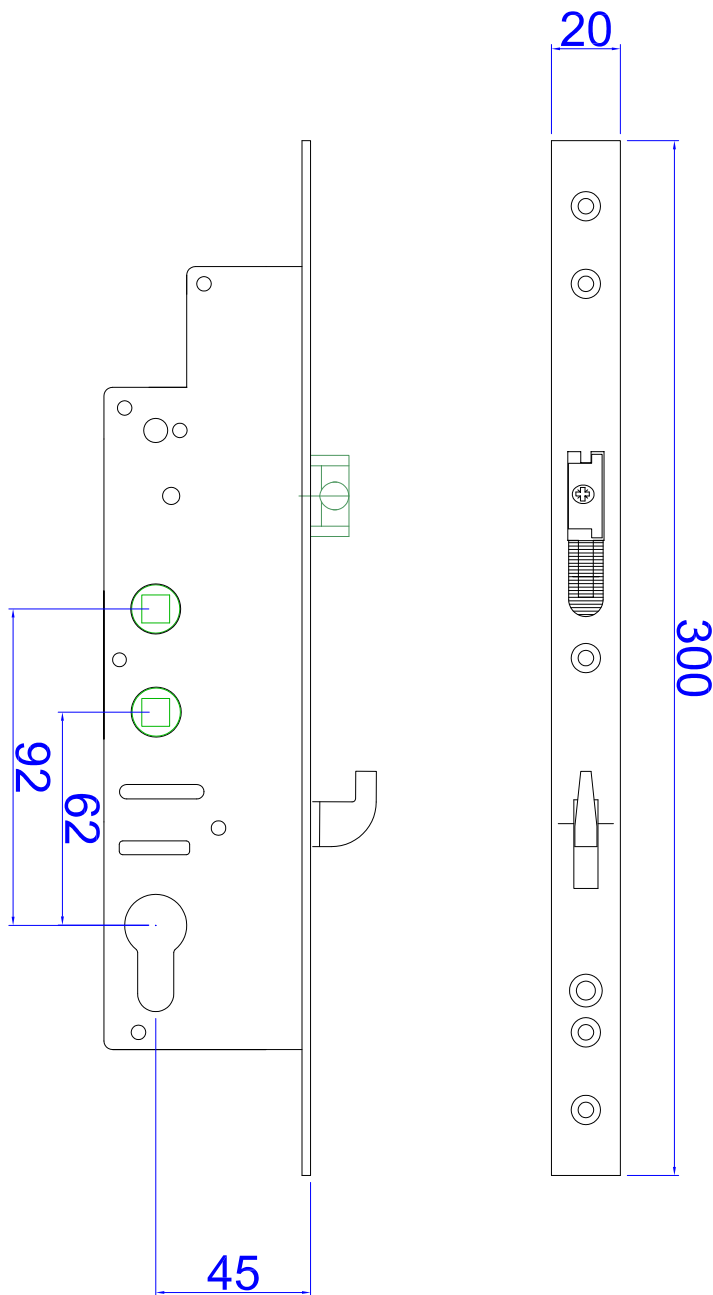


Faceplate = 300mm x 20mm (Zinc & Clear Passivated)

Spindle	Backset Size	Handle Backplate	Handle Centres	No of Hooks	Old Product Code	New Product Code
Dual	45mm	243mm	92mm or 62/92mm	1	XL45MM DUAL BIN LOCK	BIN-LOCK

Each lock comes with a universal keep, meaning there is no need to stock both left hand and right hand keeps or worry about fitting them incorrectly. The backset size is 45mm and the faceplate is 300mm

by 20mm, zinc and clear passivated as standard. For maximum security the Bin Store Lock can be used with the Kinetica 3 star BSI Kitemarked TS007 cylinder.



fullex[®]

uPVC UNIVERSAL REPAIR LOCK

uPVC DOORS

The Fullex Universal Repair Lock offers a secure and reliable security solution

The Fullex Universal Repair Lock is designed to replace uPVC doors with a 35mm backset.

The kit contains three piece lock, three piece keep and comes with optional to fit keep tidy plates. The lock has easily reversible latch with snib.

PVCu Doors

Easily reversible latch with snib

Available in dual spindle

Split spindle

Includes latch hold back snib on lock faceplate

Comes with a universal, unhandred keep

Tested to 200,000 full cycles

Corrosion resistance tested to BSEN1670 Grade 4 for 240 hours



Technical Data

Corrosion Resistance

BS EN 1670 Grade 4

Materials

Hook

A3 hardened cast steel

Faceplate

Dacromet coated A3 sintered steel

Gearbox

A3 Zinc and clear passivated



For maximum security the Bin Lock can be used with the Kinetica 3 star BSI Kitemarked TS007 cylinder.



Spindle	Backset Size	Handle Backplate	Handle Centres	No of Hooks	New Product Code
Split	35mm	219mm or 243mm	92mm or 62/92mm	1	FULLEX-UPVC-REPAIRLOCK

Kit contents

**1x Lock
(3 parts)**

Hook

Connector rod
and cover plate

Centre case

Connector rod
and cover plate

Hook

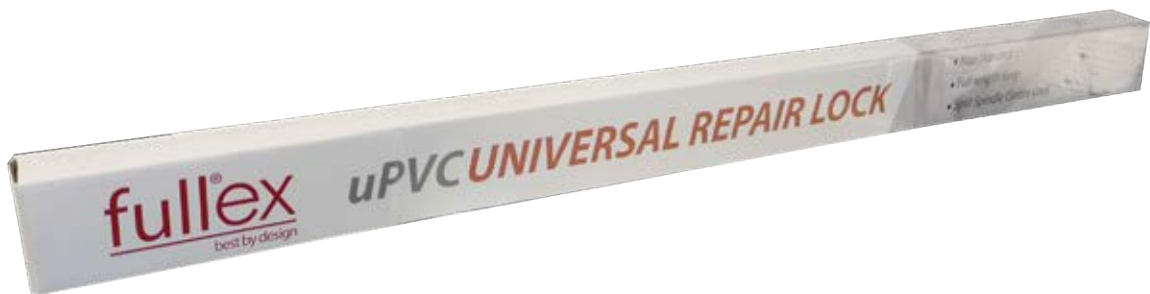
**1 Keep
(3 parts)**

Hook keep

Centre keep

Hook keep

**2x Tidy
plate**



full[®]ex *KEEP SETS*

XL Lock

One Piece Keeps

Handed	Lock Type	Centres	Old Product Code	New Product Code
Left	XL32R518	518mm	XLK2L518	XL-518-KEEP-LEFT
Right	XL32R518	518mm	XLK2R518	XL-518-KEEP-RIGHT
Left	XL34R6357	635/572mm	XLK4LTH	XL-6357-KEEP-LEFT
Right	XL34R6357	635/572mm	XLK4RTH	XL-6357-KEEP-RIGHT
Left	XL32R650	650mm	XLK2L650	XL-650-KEEP-LEFT
Right	XL32R650	650mm	XLK2R650	XL-650-KEEP-RIGHT
Left	XL32R7474	735/758mm	XLK4L7474	XL-7474-KEEP-LEFT
Right	XL32R7474	735/758mm	XLK4R7474	XL-7474-KEEP-RIGHT
None	XL2+2	673/706mm	XLK2+2 673/706 KEEP	XL-2+2-KEEP

PVCu Doors

Aluminium Doors

Individual Keeps

Handed	Lock Type	Position	Old Product Code	Product Code
Left	All XL Locks	Centre	XLKCL	XL-CENTRE-KEEP-LEFT
Right	All XL Locks	Centre	XLKCR	XL-CENTRE-KEEP-RIGHT
None	All XL 2 Roller Locks	Top and Bottom	XLKS2R	XL-TOPBOT-KEEP-2ROLLER
None	All XL 4 Roller Locks	Top and Bottom	XLKS4R	XL-TOPBOT-KEEP-4ROLLER

PVCu Doors

Aluminium Doors

Shoot Bolt Keeps

Pocket	Lock Type	Centres	Old Product Code	New Product Code
Yes	Double	All XL Locks	XLKBDSB	XL-DOUBLE-POCKET-SB-KEEP
None	Double	All XL Locks	XLKDSB	XL-DOUBLE-SB-KEEP
None	Double Low Threshold	All XL Locks	XLKDSBLOW	XL-DOUBLE-LOW-SB-KEEP
Yes	Double (Slave door)	All XL Locks	XLKBSSB	XL-DOUBLE-SL-POCKET-SB-KEEP
None	Double (Slave door)	All XL Locks	XLKSSB	XL-DOUBLE-SL-SB-KEEP
Yes	Single	All XL Locks	XLKBRSB	XL-SINGLE-POCKET-SB-KEEP
None	Single	All XL Locks	XLKRSB	XL-SINGLE-SB-KEEP

PVCu Doors

Aluminium Doors

XL Crimebeater Lock

Centre Keeps

	Left	Right
Square	XLC0001-KE	XLC0002-KE
	XLC-CENTRE-SQ-KEEP-LEFT	XLC-CENTRE-SQ-KEEP-RIGHT
Radius	XLC0003-KE	XLC0004-KE
	XLC-CENTRE-RA-KEEP-LEFT	XLC-CENTRE-RA-KEEP-RIGHT

Composite Doors

Timber Doors

Top and Bottom Keeps

	Hook	Bolt
Square	XLC0007-KE	XLC0008-KE
	XLC-TOPBOT-HK-SQ-KEEP	XLC-TOPBOT-BT-SQ-KEEP
Radius	XLC0006-KE	XCKS
	XLC-TOPBOT-HK-RA-KEEP	XLC-TOPBOT-RA-SQ-KEEP

Composite Doors

Timber Doors

KEEP SETS [®] fullex

Crimebeater

Set of 3 (Fixed)



	Hook	Bolt
Square	CRB0001-KE Z/C	CRB0008-KE
	CRB-HK-SQ-KEEP	CRB-BT-SQ-KEEP
Radius	CRB0005-KE	CRB0004-KE
	CRB-HK-RA-KEEP	CRB-BT-RA-KEEP

Individual (Adjustable)



	Hook	Bolt
Left Centre	XCKCL	CRB00014-KE
	CRB-CENTRE-HK-KEEP-LEFT	CRB-CENTRE-BT-KEEP-LEFT
Right Centre	XCKCR	CRB00013-KE
	CRB-CENTRE-HK-KEEP-RIGHT	CRB-CENTRE-BT-KEEP-RIGHT
Top / Bottom	XCKS	CRB00012-KE
	XLC-TOPBOT-RA-SQ-KEEP	CRB-TOPBOT-BT-KEEP

Crimebeater 220 Pro



Handed	Lock Type	Size	Old Product Code	Product Code
None	CRB220PRO	N/A	CRB 220 PRO KEEP SET	CRB220PRO-KEEP

Patio Lock



Handed	Lock Type	Size	Old Product Code	Product Code
None	6 Hook Lock	12mm	PDK1012	PATIO-6HOOK-12MM-KEEP
None	6 Hook Lock	16mm	PDK1016	PATIO-6HOOK-16MM-KEEP
None	6 Hook Lock	16mm	PDK1016M	PATIO-6HOOK-16MM-KEEP+5MM
None	8 Hook Lock	12mm	PDK2012	PATIO-8HOOK-12MM-KEEP
None	8 Hook Lock	16mm	PDK2016	PATIO-8HOOK-16MM-KEEP

SL16 Multibolt



Handed	Lock Type	Old Product Code	Product Code
None	All SL16 Locks	CRB0001-KE Z/C	CRB-HK-SQ-KEEP
None	SL16 Additional Hook Keep	CRB0009-KE	SL16-HOOK-KEEP

Bin Store Lock

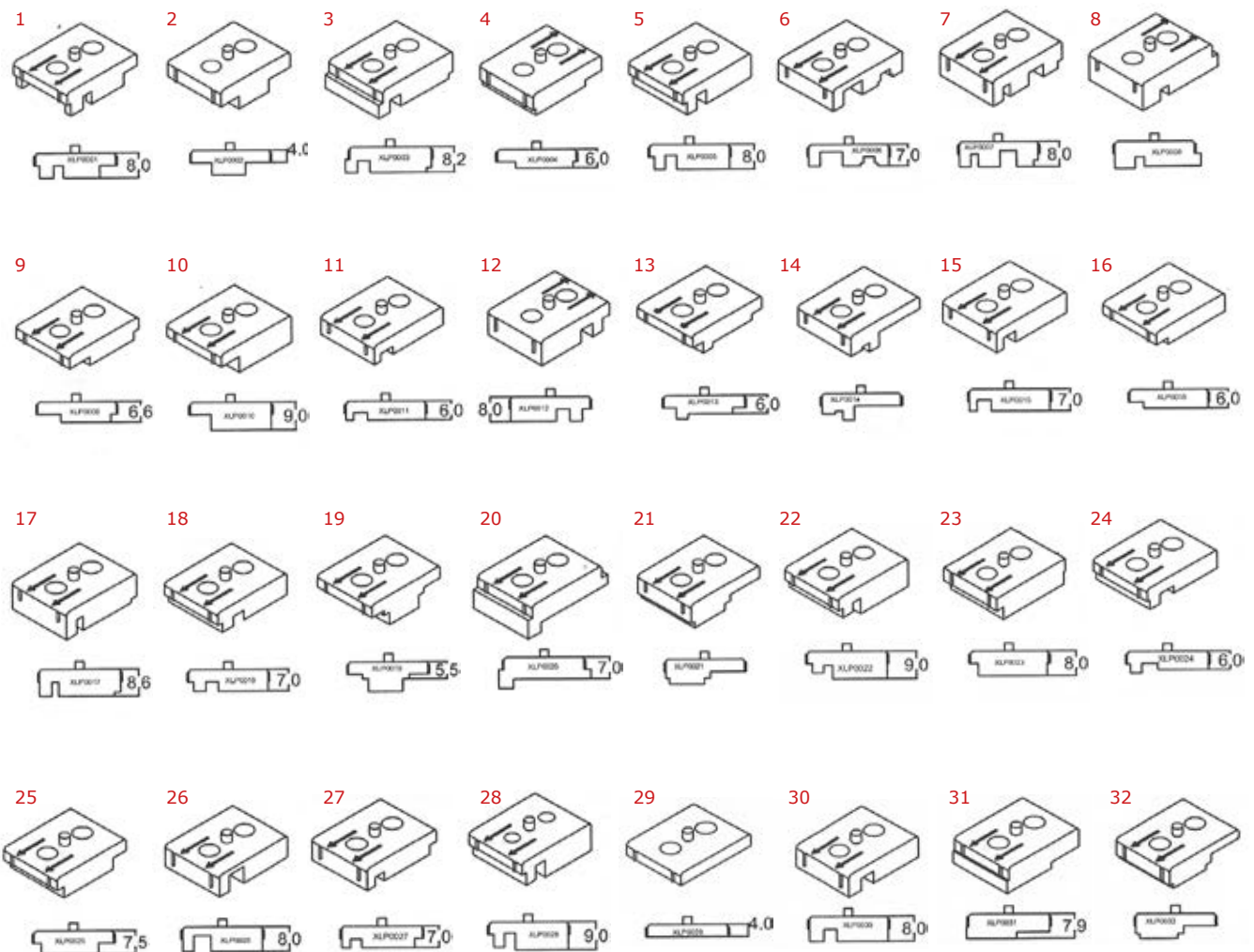


Handed	End Type	Old Product Code	Product Code
None	Square	XLC0009-KE	BIN-LOCK-KEEP

fullex[®] XL LOCK PACKERS

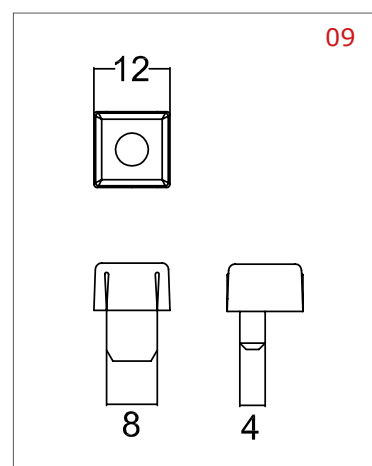
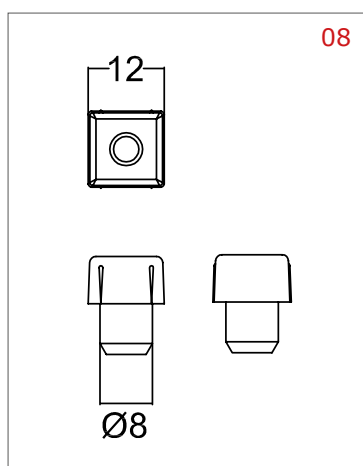
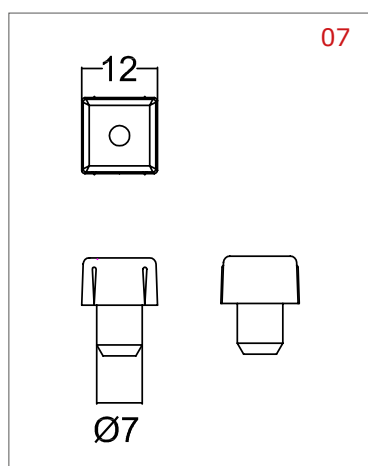
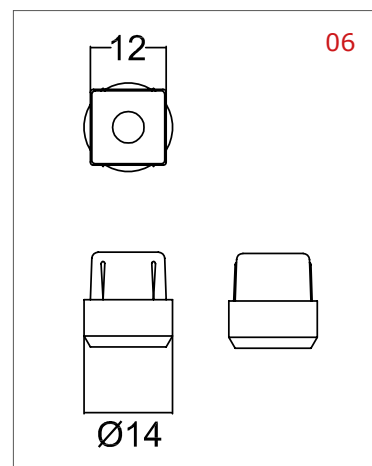
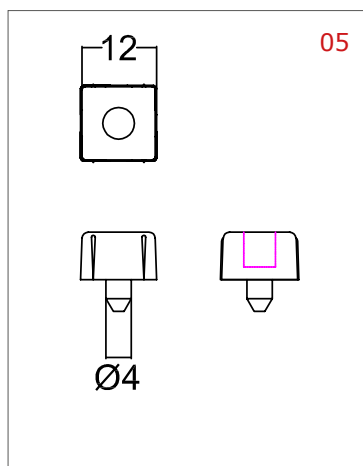
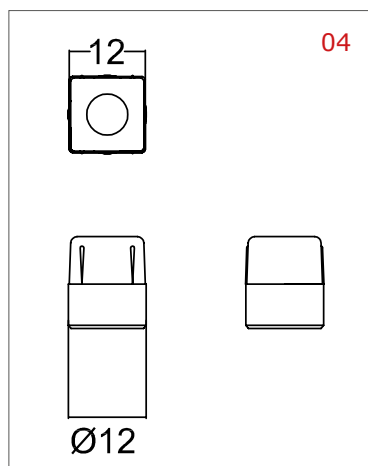
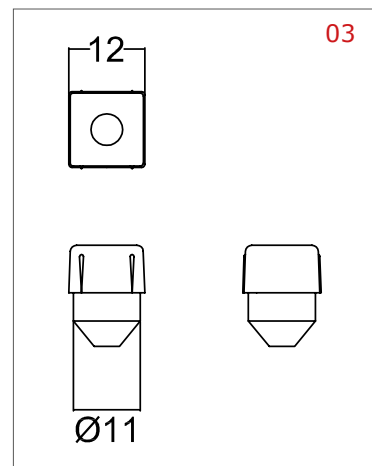
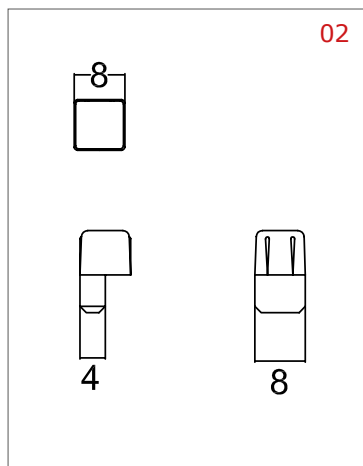
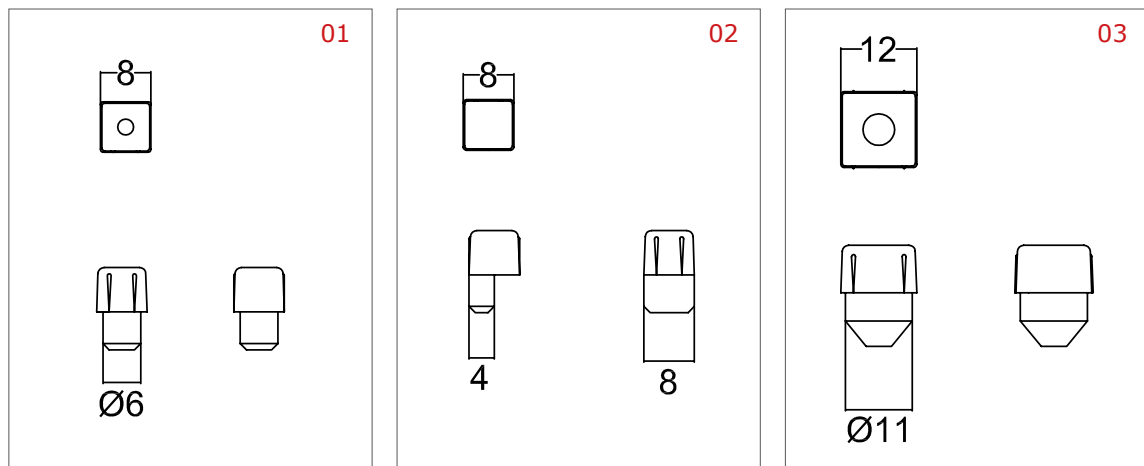
Profile	Product Code
Synseal, Rehau 706 and Eurocell WSH Rustique	XLP0001
Duraflex	XLP0002
Decenuninck 2500, Deeplas 2500, Aluplast Ideal and Eurocell Logik + 2mm	XLP0003
Profile 22, LB8000 and Swish	XLP0004
Deeplas 2000 - 2mm	XLP0005
Linear, Kommerling, Deeplas 3000 -1mm, Synseal and Synerji co ex + 2mm	XLP0006
Rehau Tritec, LB700 - 1mm and Selecta	XLP0007
Spectus Elite 70 and HW Elite 70	XLP0008
Halo Eclipse and Esthetique Mullion	XLP0009
Halo Eclipse, Esthetique Outerframe and Thyssen	XLP0010
Veka 70	XLP0011
Deeplas 1800 and Kommerling C70	XLP0012
Synseal Shield	XLP0013
Spectus Sightline	XLP0014
Veka 58 and FS 70 Aluplast Ideal	XLP0015

Profile	Product Code
Profile 22 Mullion	XLP0016
Synseal Legend 70	XLP0017
Plastmo - 2mm	XLP0018
Duraflex - 2mm	XLP0019
Synseal Evolve Q-Ion	XLP0020
Rehau 9mm Axis Mullion and Eurocell Modus Mullion	XLP0021
Synseal Legend 70 - 2mm	XLP0022
Eurocell Ultimate 70	XLP0023
Veka 70 and Synseal Legend 70 - 2mm	XLP0024
Synseal Shield and Synerji co ex	XLP0025
LB 6000 and Eurocell Modus outer frame	XLP0026
Linear + 2mm	XLP0027
WHS Halo System 10 and Rustique	XLP0028
Low profile packer and Eurocell Modus low threshold	XLP0029
Eurocell Modus	XLP0030
Eurocell Modus Mullion	XLP0031
Kommerling C70 385 Mullion	XLP0032



PATIO PACKERS [®]fullex

Profile	Keep Profile	Old Product Code	New Product Code
Rehau and Decunick	02 / 12mm	PDLKP01	PATIO-PACKER01
Profine Kommerling	02 / 12mm	PDLKP02	PATIO-PACKER02
Eurocell	01 / 16mm	PDLKP03	PATIO-PACKER03
Synseal and Selecta	01 / 16mm	PDLKP04	PATIO-PACKER04
Halo Bowater / Veka	01 / 16mm	PDLKP05	PATIO-PACKER05
Duraflex	01 / 16mm	PDLKP06	PATIO-PACKER06
Spectus	01 / 16mm	PDLKP07	PATIO-PACKER07
Plastmo / Profile 22	01 / 16mm	PDLKP08	PATIO-PACKER08
Profine Kommerling	01 / 16mm	PDLKP09	PATIO-PACKER09





Brands



www.uapcorporate.com
sales@uapcorporate.com
0161 796 7268

UAP Limited
Unit 1 Albert Close Trading Estate
Whitefield
Manchester
M45 8EH
England, UK