

fullex[®]

POWERED BY

UAP
LIMITED

About Fullex

Fullex help door manufactures of all sizes, from all over the World build better, more secure doors. We've been the leading manufacturer of high security multi-point locking systems for composite, timber, PVCu, steel and aluminium door systems for more than 30 years.

Fullex offer high security residential multipoint locking systems for PVCu, Composite, Timber and Aluminium door systems. All of our locking systems are PAS24 capable, Document Q compliant and are registered under our Secured by Design licence. In fact, Fullex were the very first Secured by Design member, our locks not just designed to meet the standards, but to exceed them.

Our range of products includes seven PAS24 capable multipoint locks, TS007 3 Star British Standard Kitemarked Anti Snap/Anti Bump cylinders, CE marked PAS24 Composite butt hinges, Door handles, including TS007 2 Star options and a wide range of door hardware accessories.




With the inclusion of Document Q into Building Regulations in October 2015 for ground floor and easily accessible new build doors and windows, Fullex can offer help and support to fabricators wishing to gain PAS24 and Doc Q compliance.

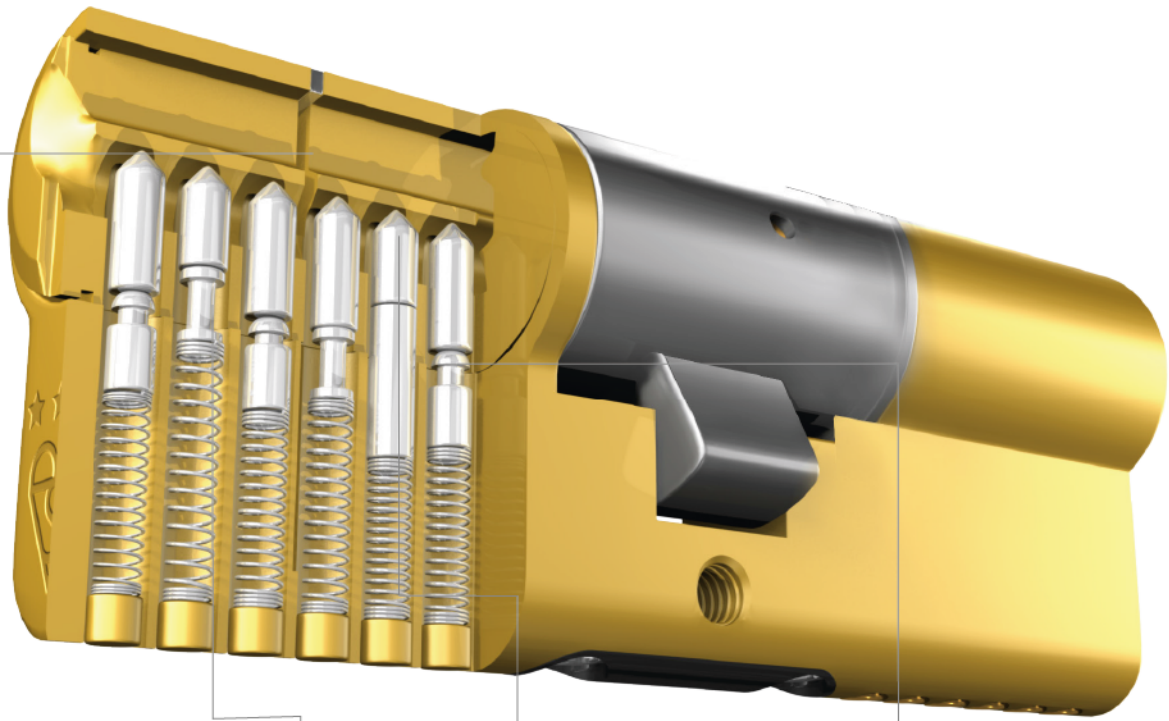
We are also always keen to discuss bespoke locking options and our most recent development is a comprehensive PAS24, Document Q and Lifetime Home compliant security patio hardware set in co-operation with PVCu extrusion specialists Kommerling.



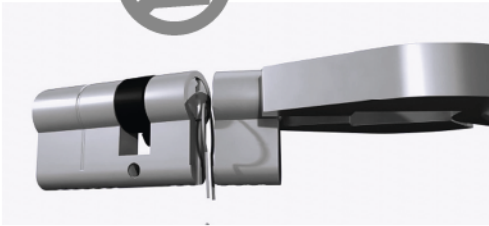
fullex[®]

SELECT YOUR CYLINDER

ACCREDITATION	Secured by Design	Fire Rated	Budget
	Kinetica 3* Double Kinetica 3* Thumb Turn 4-5 6-7	Kinetica Double Kinetica Thumb Turn 4-5 6-7	-
	ZeroLift 1* Double ZeroLift 1* Thumb Turn High Security 1* High Security 1* Thumb Turn Standard Security 1* Standard Security 1* Thumb Turn High Security 1* Half High Security 1* Half Thumb Turn 8-9 10-11 12-13 14-15 16-17 16-17 12-13 14-15	ZeroLift Double ZeroLift Thumb Turn 8-9 10-11	-
	Standard Security 1* Standard Security 1* Thumb Turn Rim Cylinder Half Cylinder Half Thumb Turn 14-15 16-17 8-9 10-11 12-13	-	TL Double TL Thumb Turn 4-5 12-13



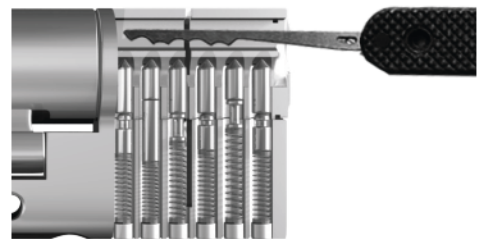
SACRIFICIAL CUT



ANTI DRILL



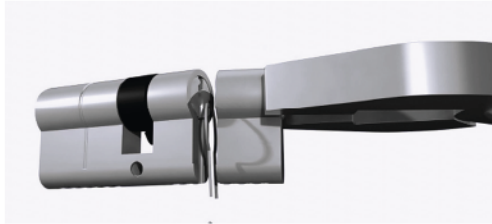
ANTI PICK



ANTI BUMP



Cylinders Features



SACRIFICIAL CUT

A sacrificial cut line on the outside of the cylinder means if force is applied, the cylinder will break away to this line only leaving the cylinder operational and the locking mechanism intact. For even more security, there is a steel anti snap bar underneath the screw hole to stop it being snapped here.



ANTI PICK

Minimum of 3 anti-pick pins in each side of the cylinder makes it extremely difficult for a common burglar to pick the cylinder.



ANTI BUMP

Kinetica cylinders use a very clever and patented timing pin anti-bump system, designed by locksmith expert and Royal Navy engineer Chris Belcher. The Patented timing pins are highly effective in interrupting the timing of the pins when bumped.



ANTI DRILL

4 x hardened steel anti-drill pins are in each side of the cylinder. Plus all moving pins are nickel plated hardened steel 50 HRC minimum.

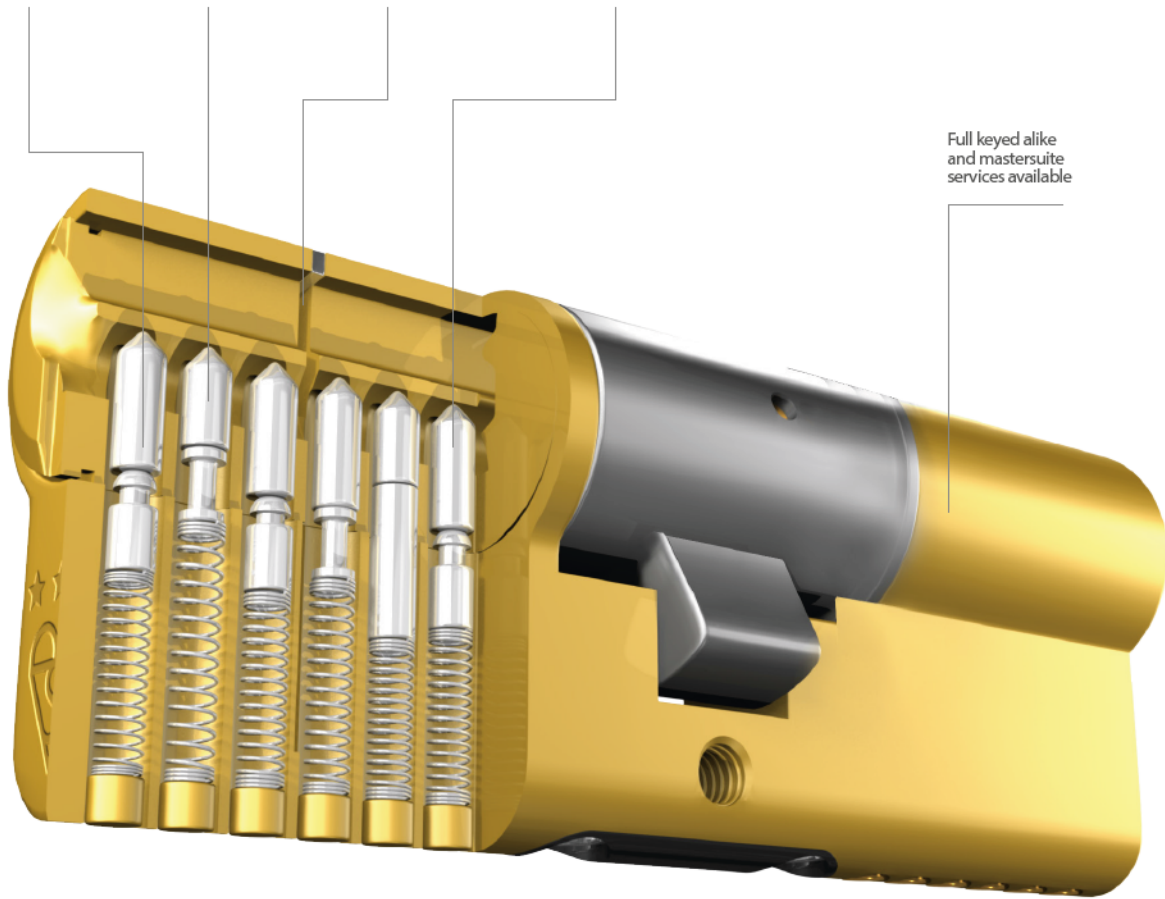


3* Kinetica Cylinder Powered by Fullex

UAP and Fullex have joined forces to launch our very own 3* Kitemarked Cylinder – Kinetica. The 3* cylinder market has been growing over the last 12 months or so with fabricators understanding the consumer need for greater door security without having to upgrade handles or add extra security devices. UAP and Fullex worked together to try and develop the best value for money 3* cylinder on the market.



- ANTI PICK**
- ANTI DRILL**
- SACRIFICIAL CUT**
- ANTI BUMP**



Full keyed alike and mastersuite services available

Supplied with 5 keys

Over 800,000 different key combinations!

Unrestricted keyway — easier for customers to get keys cut

Comes with an anti-drill plate for extra security

Has 6 pins

Full keyed alike and mastersuite services available

Uniquely, it can be keyed alike to UAP+ 1* Cylinders and UAP 6 pin Rim Cylinders!

Part of the UAP Cylinder Guarantee Scheme

Kinetica 3* Double Euro Cylinders



Brass



Satin nickel



Polished chrome

Overall size	Split (X-10-X)	Split (X/X)	Product Code
70mm	30-10-30	35/35	KIN30/30BAS
80mm	35-10-35	40/40	KIN35/35BAS
95mm	40-10-45	45/50	KIN40EX/45BAS
95mm	45-10-40	50/45	KIN45EX/40BAS
100mm	40-10-50	45/55	KIN40EX/50BAS
100mm	45-10-45	50/50	KIN45/45BAS
100mm	50-10-40	55/45	KIN50EX/40BAS

70mm	30-10-30	35/35	KIN30/30NAS
80mm	35-10-35	40/40	KIN35/35NAS
80mm	40-10-30	45/30	KIN40EX/30NAS

70mm	30-10-30	35/35	KIN30/30CAS
80mm	35-10-35	40/40	KIN35/35CAS
95mm	40-10-45	45/50	KIN40EX/45CAS
95mm	45-10-40	50/45	KIN45EX/40CAS
100mm	40-10-50	45/55	KIN40EX/50CAS
100mm	45-10-45	50/50	KIN45/45CAS
100mm	50-10-40	55/45	KIN50EX/40CAS

Stocked Keyed Alike Cylinders

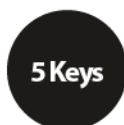
We have a range of cylinders that we stock in keyed alike in pairs on the shelf. Each pair are the same size and finish, and have been keyed alike together to work with the same key.

Overall size	Split (X-10-X)	Split (X/X)	Brass Code	Nickel Code	Satin Nickel Code
70mm	30-10-30	35/35	KIN30/30BASKAP	KIN30/30CASKAP	KIN30/30NASKAP
80mm	35-10-35	40/40	KIN35/35BASKAP	KIN35/35CASKAP	KIN35/35NASKAP
95mm	40-10-45	45/50	KIN40EX/45BASKAP	KIN40EX/45CASKAP	-
95mm	45-10-40	50/45	KIN45EX/40BASKAP	KIN45EX/40CASKAP	-
100mm	40-10-50	45/55	KIN40EX/50BASKAP	KIN40EX/50CASKAP	-
100mm	45-10-45	50/50	KIN45/45BASKAP	KIN45/45CASKAP	-
100mm	50-10-40	55/45	KIN50EX/40BASKAP	KIN50EX/40CASKAP	-

Restricted Keyway Available

You have the option to have a restricted keyway on the cylinder. This comes with a square key, and makes the cylinder more secure as the blank is only available from selected companies.

Plug Size	Brass Code	Nickel Code
30mm	ZL30-RESTRICTEDPLUG-BRASS	ZL30-RESTRICTEDPLUG-NICKEL
35mm	ZL35-RESTRICTEDPLUG-BRASS	ZL35-RESTRICTEDPLUG-NICKEL
40mm	ZL40-RESTRICTEDPLUG-BRASS	ZL40-RESTRICTEDPLUG-NICKEL
45mm	ZL45-RESTRICTEDPLUG-BRASS	ZL45-RESTRICTEDPLUG-NICKEL





3* Kinetica Thumb Turn Cylinder Powered by Fullex

UAP and Fullex have joined forces to launch our very own 3* Kitemarked Cylinder – Kinetica. The 3* cylinder market has been growing over the last 12 months or so with fabricators understanding the consumer need for greater door security without having to upgrade handles or add extra security devices. UAP and Fullex worked together to try and develop the best value for money 3* cylinder on the market.



ANTI PICK



SACRIFICIAL CUT



ANTI BUMP



ANTI DRILL

Child



Safe

Special shaped thumb turn – designed for the elderly, people with arthritis and limited hand movement



Supplied with 5 keys

Over 800,000 different key combinations!

Unrestricted keyway — easier for customers to get keys cut

Comes with an anti-drill plate for extra security

Has 6 pins

Full keyed alike and mastersuite services available

Uniquely, it can be keyed alike to UAP+ 1* Cylinders and UAP 6 pin Rim Cylinders!

Part of the UAP Cylinder Guarantee Scheme

Kinetica 3* Thumb Turn Euro Cylinders



Brass

Overall size	Split (X-10-X)	Split (X/X)	Product Code
70mm	30T-10-30	35T/35	KIN30T/30BAS
80mm	35T-10-35	40T/40	KIN35T/35BAS
95mm	40-10-45T	45/50T	KIN40EX/45TBAS
95mm	45-10-40T	50/45T	KIN45EX/40TBAS
100mm	40T-10-50	45T/55	KIN40TEX/50BAS
100mm	45T-10-45	50T/50	KIN45T/45BAS



Satin nickel

70mm	30T-10-30	35T/35	KIN30T/30CAS
80mm	35T-10-35	40T/40	KIN35T/35CAS
95mm	40-10-45T	45/50T	KIN40EX/45TCAS
95mm	45-10-40T	50/45T	KIN45EX/40TCAS
100mm	40T-10-50	45T/55	KIN40TEX/50CAS
100mm	45T-10-45	50T/50	KIN45T/45CAS



Polished chrome

70mm	30T-10-30	35T/35	KIN30T/30NAS
80mm	30-10-40T	35/45T	KIN30EX/40TNAS
80mm	40-10-30T	45/35T	KIN40EX/30TNAS

The thumb turn is on the T side of the code

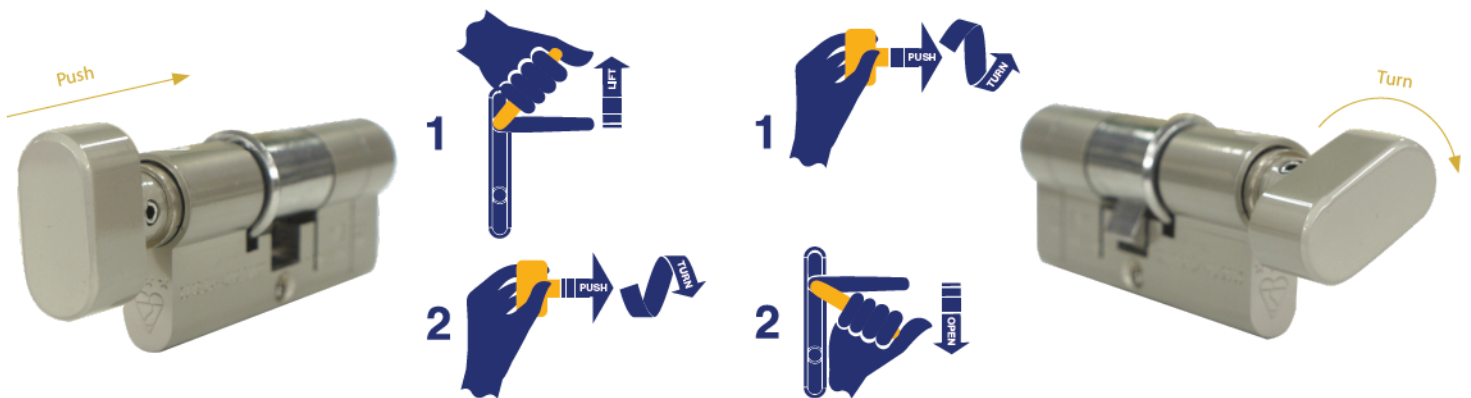
Restricted Keyway Available

You have the option to have a restricted keyway on the cylinder. This comes with a square key, and makes the cylinder more secure as the blank is only available from selected companies.

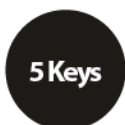
Plug Size	Brass Code	Nickel Code
30mm	ZL30-RESTRICTEDPLUG-BRASS	ZL30-RESTRICTEDPLUG-NICKEL
35mm	ZL35-RESTRICTEDPLUG-BRASS	ZL35-RESTRICTEDPLUG-NICKEL
40mm	ZL40-RESTRICTEDPLUG-BRASS	ZL40-RESTRICTEDPLUG-NICKEL
45mm	ZL45-RESTRICTEDPLUG-BRASS	ZL45-RESTRICTEDPLUG-NICKEL

The UAP Push-2-Turn system uses a Patented system where the thumb turn needs to be pushed in by the user first before it will engage and open:

HOW TO LOCK? HOW TO UNLOCK?



This means that if a strap is put over the thumb turn from the outside, the thumb turn will just spin and not engage and open!



ZEROLIFT[®]

ADVANCE



1* Zerolift Euro Cylinder

The Next Generation of Super Smooth Cylinders

UAP have developed a large range of 1* Kitemarked anti-snap euro cylinders which conform to EN1303:2005 standards. The cylinder has been re-engineered from our original Zerolift cylinders, and not only does it combine all the original Zerolift features, but the Zerolift Advance cylinders are also packed with even more functions:



ANTI PICK



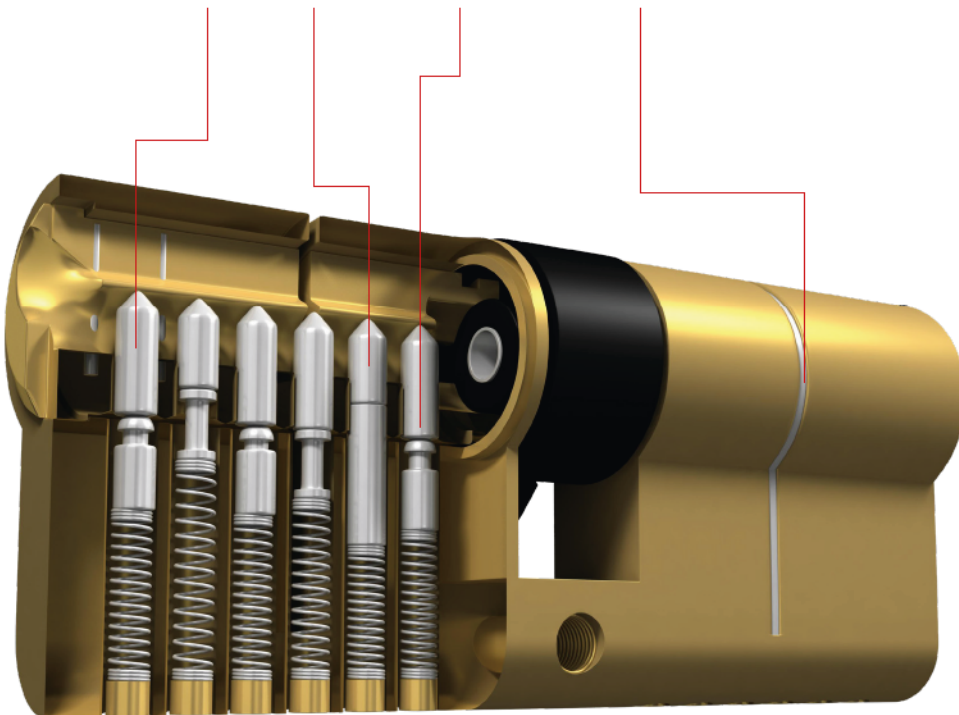
ANTI DRILL



ANTI BUMP



SACRIFICIAL CUT



Supplied with 3 keys

Over 800,000 different key combinations!

Unrestricted keyway — easier for customers to get keys cut

Comes with an anti-drill plate for extra security

Has 6 pins

Full keyed alike and mastersuite services available

Uniquely, it can be keyed alike to Kinetica 3* Cylinders and UAP 6 pin Rim Cylinders!

Part of the UAP Cylinder Guarantee Scheme

The UAP+ 1* cylinders can be combined with 2* Kitemarked Handle or 2* Kitemarked Escutcheon to achieve a 3* solution for PAS24 doors



Key blanks

Type	Description	Product Code
1*	Can cut all UAP cylinders	ZLKEYBLANKUNIVERSAL
1*	Used for cylinders with 25mm side	ZLKEYBLANK25MM
1*	Bottle opener keyblank	ZLKEYBLANK-OPENER



Brass

Overall size	Split (X-10-X)	Split (X/X)	Product Code
60mm	25-10-25	30/30	ZL25/25BAS
70mm	25-10-35	30/40	ZL25/35BAS
70mm	30-10-30	35/35	ZL30/30BAS
75mm	25-10-40	30/45	ZL25/40BAS
80mm	25-10-45	30/50	ZL25/45BAS
80mm	30-10-40	35/45	ZL30/40BAS
80mm	35-10-35	40/40	ZL35/35BAS
85mm	30-10-45	35/50	ZL30/45BAS
85mm	35-10-40	40/45	ZL35/40BAS
90mm	30-10-50	35/55	ZL30/50BAS
90mm	40-10-40	45/45	ZL40/40BAS
90mm	35-10-45	40/50	ZL35/45BAS
95mm	35-10-50	40/55	ZL35/50BAS
95mm	40-10-45	45/50	ZL40/45BAS
100mm	35-10-55	40/60	ZL35/55BAS
100mm	40-10-50	45/55	ZL40/50BAS
100mm	45-10-45	50/50	ZL45/45BAS
105mm	45-10-50	50/55	ZL45/50BAS
110mm	40-10-60	45/65	ZL40/60BAS
110mm	45-10-55	50/60	ZL45/55BAS



Satin nickel

60mm	25/10/25	30/30	ZL25/25NAS
70mm	25/10/35	30/40	ZL25/35NAS
70mm	30/10/30	35/35	ZL30/30NAS
75mm	25/10/40	30/45	ZL25/40NAS
80mm	25/10/45	30/50	ZL25/45NAS
80mm	30/10/40	35/45	ZL30/40NAS
80mm	35-10-35	40/40	ZL35/35NAS
85mm	30/10/45	35/50	ZL30/45NAS
85mm	35-10-40	40/45	ZL35/40NAS
90mm	30/10/50	35/55	ZL30/50NAS
90mm	40-10-40	45/45	ZL40/40NAS
90mm	35-10-45	40/50	ZL35/45NAS
95mm	35-10-50	40/55	ZL35/50NAS
95mm	40-10-45	45/50	ZL40/45NAS
100mm	35-10-55	40/60	ZL35/55NAS
100mm	40-10-50	45/55	ZL40/50NAS
100mm	45-10-45	50/50	ZL45/45NAS
100mm	25/10/65	30/70	ZL25/65NAS
105mm	45-10-50	50/55	ZL45/50NAS
110mm	40-10-60	45/65	ZL40/60NAS
110mm	45-10-55	50/60	ZL45/55NAS



Black

60mm	25/10/25	30/30	ZL25/25BLACK
65mm	25/10/30	30/35	ZL25/30BLACK
70mm	30/10/30	35/35	ZL30/30BLACK
80mm	30/10/40	35/45	ZL30/40BLACK
80mm	35-10-35	40/40	ZL35/35BLACK



Polished chrome

70mm	30/10/30	35/35	ZL30/30CAS
80mm	35-10-35	40/40	ZL35/35CAS



Flint

70mm	30/10/30	35/35	ZL30/30CAS
80mm	35-10-35	40/40	ZL35/35CAS

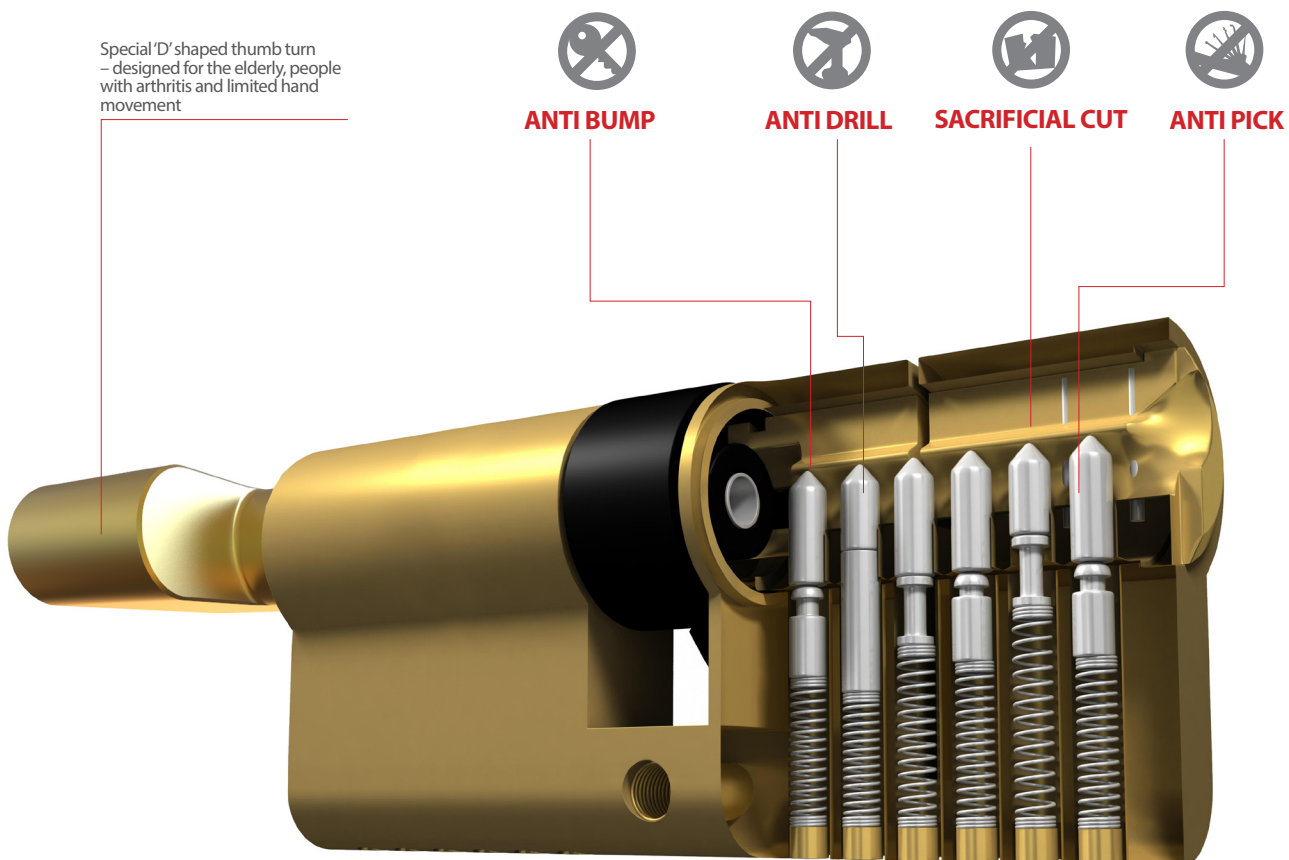
ZEROLIFT[®]

ADVANCE



1* Zerolift Thumb Turn Euro Cylinder The Next Generation of Super Smooth Cylinders

UAP have developed a large range of 1* Kitemarked anti-snap euro cylinders which conform to EN1303:2005 standards. The cylinder has been re-engineered from our original Zerolift cylinders, and not only does it combine all the original Zerolift features, but the Zerolift Advance cylinders are also packed with even more functions:



Supplied with 3 keys

Has 6 pins

Over 800,000 different key combinations!

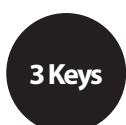
Full keyed alike and mastersuite services available

Unrestricted keyway — easier for customers to get keys cut

The UAP+ 1* cylinders can be combined with 2* Kitemarked Handle or 2* Kitemarked Escutcheon to achieve a 3* solution for PAS24 doors

Comes with an anti-drill plate for extra security

Part of the UAP Cylinder Guarantee Scheme





Brass



Satin nickel



Black



Polished chrome



Flint

Overall size	Split (X-10-X)	Split (X/X)	Product Code
60mm	25T-10-25	30T/30	ZL25T/25BAS
70mm	30T-10-30	35T/35	ZL30T/30BAS
80mm	30-10-40T	35/45T	ZL30/40TBAS
80mm	30T-10-40	35T/45	ZL30T/40BAS
80mm	35T-10-35	40T/40	ZL35T/35BAS
85mm	30T-10-45	35T/50	ZL30T/45BAS
85mm	35T-10-40	40T/45	ZL35T/40BAS
90mm	30-10-50T	35/55T	ZL30/50TBAS
90mm	30T-10-50	35T/55	ZL30T/50BAS
90mm	40T-10-40	45T/45	ZL40T/40BAS
90mm	35-10-45T	40/50T	ZL35/45TBAS
90mm	35T-10-45	40T/50	ZL35T/45BAS
95mm	35-10-50T	40/55T	ZL35/50TBAS
95mm	35T-10-50	40T/55	ZL35T/50BAS
95mm	40T-10-45	45T/50	ZL40T/45BAS
100mm	40T-10-50	45T/55	ZL40T/50BAS
100mm	40-10-50T	45/55T	ZL40/50TBAS
100mm	45T-10-45	50T/50	ZL45T/45BAS
105mm	45-10-50T	50/55T	ZL45/50TBAS
105mm	45T-10-50	50T/55	ZL45T/50BAS
110mm	45-10-55T	50/60T	ZL45/55TBAS
110mm	45T-10-55	50T/60	ZL45T/55BAS

60mm	25T-10-25	30T/30	ZL25T/25NAS
70mm	30T-10-30	35T/35	ZL30T/30NAS
80mm	30-10-40T	35/45T	ZL30/40TNAS
80mm	30T-10-40	35T/45	ZL30T/40NAS
80mm	35T-10-35	40T/40	ZL35T/35NAS
85mm	30T-10-45	35T/50	ZL30T/45NAS
85mm	35T-10-40	40T/45	ZL35T/40NAS
90mm	30-10-50T	35/55T	ZL30/50TNAS
90mm	30T-10-50	35T/55	ZL30T/50NAS
90mm	40T-10-40	45T/45	ZL40T/40NAS
90mm	35-10-45T	40/50T	ZL35/45TNAS
90mm	35T-10-45	40T/50	ZL35T/45NAS
95mm	35-10-50T	40/55T	ZL35/50TNAS
95mm	35T-10-50	40T/55	ZL35T/50NAS
95mm	40T-10-45	45T/50	ZL40T/45NAS
100mm	40T-10-50	45T/55	ZL40T/50NAS
100mm	40-10-50T	45/55T	ZL40/50TNAS
100mm	45T-10-45	50T/50	ZL45T/45NAS
100mm	25-10-65T	30/70T	ZL25/65TNAS
100mm	25T-10-65	30T/70	ZL25T/65NAS
105mm	45-10-50T	50/55T	ZL45/50TNAS
105mm	45T-10-50	50T/55	ZL45T/50NAS
110mm	45-10-55T	50/60T	ZL45/55TNAS
110mm	45T-10-55	50T/60	ZL45T/55NAS

60mm	25T-10-25	30T/30	ZL25T/25BLACK
65mm	25-10-30T	30/35T	ZL25/30TBLACK
65mm	25T-10-30	30T/35	ZL25T/30BLACK
70mm	30T-10-30	35T/35	ZL30T/30BLACK
80mm	35T-10-35	40T/40	ZL35T/35BLACK

70mm	30/10/30	35/35	ZL30T/30CAS
80mm	35-10-35	40/40	ZL35T/35CAS

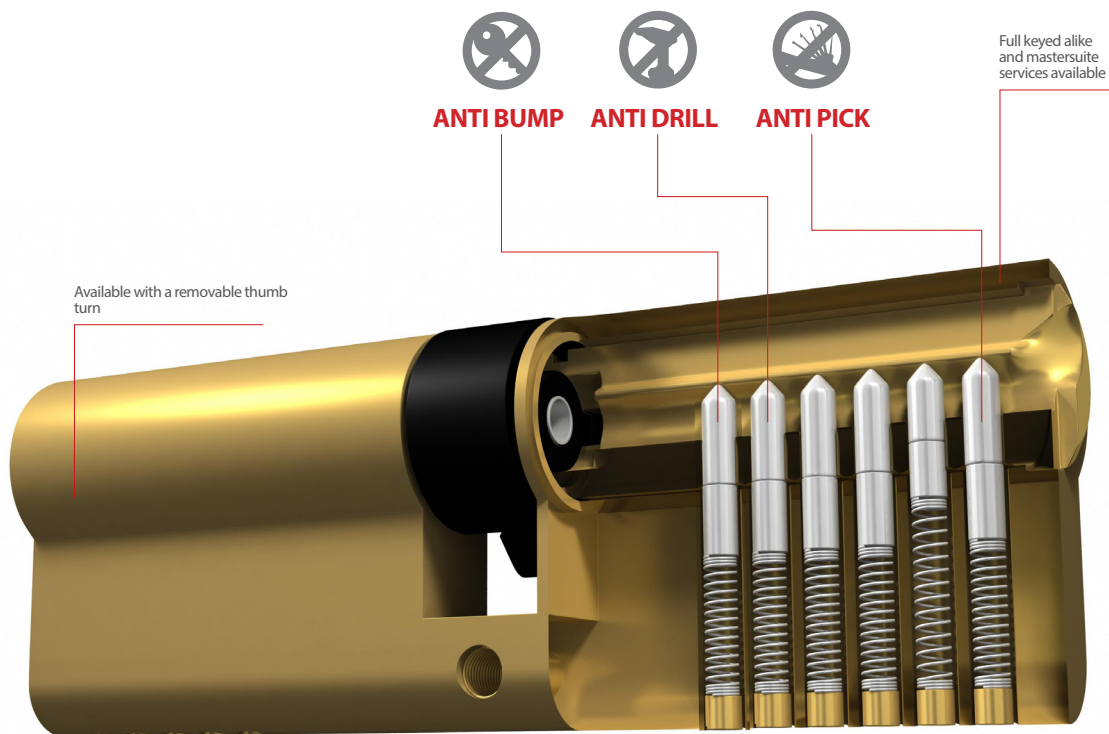
70mm	30/10/30	35/35	ZL30T/30FAS
80mm	35-10-35	40/40	ZL35T/35FAS

The thumb turn is on the T side of the code



Tradelocks Smooth Cylinders

Each and every cylinder is an extremely high quality 6 pin cylinder, with added security features. All cylinders come complete with anti-pick mushrooms, anti-drill pins and use our brand new Patented anti-bump timing pin system. The cylinders are also designed to operate as smoothly and effectively as possible.



Supplied with 3 keys

Has 6 pins

Over 800,000 different key combinations!

Full keyed alike and mastersuite services available

Unrestricted keyway — easier for customers to get keys cut

Uniquely, it can be keyed alike to UAP+ 1* Cylinders and UAP 6 pin Rim Cylinders!

Comes with an anti-bump system feature

Part of the UAP Cylinder Guarantee Scheme



TradeLocks Double Cylinders



Brass



Satin nickel

Overall size	Split (X-10-X)	Split (X/X)	Product Code
60mm	25/10/25	30/30	TL30/30B
70mm	30/10/30	35/35	TL35/35B
80mm	35-10-35	40/40	TL40/40B
85mm	30/10/45	35/50	TL35/50B
85mm	35-10-40	40/45	TL40/45B
90mm	30/10/50	35/55	TL35/55B
90mm	35-10-45	40/50	TL40/50B
90mm	40-10-40	45/45	TL45/45B
95mm	35-10-50	40/55	TL40/55B
95mm	40-10-45	45/50	TL45/50B
100mm	35-10-55	40/60	TL40/60B
100mm	40-10-50	45/55	TL45/55B
100mm	45-10-45	50/50	TL50/50B

60mm	25T-10-25	30T/30	TL30/30N
70mm	30T-10-30	35T/35	TL35/35N
80mm	30-10-40T	35/45T	TL40/40N
80mm	30T-10-40	35T/45	TL35/50N
80mm	35T-10-35	40T/40	TL40/45N
85mm	30T-10-45	35T/50	TL35/55N
85mm	35T-10-40	40T/45	TL40/50N
90mm	30-10-50T	35/55T	TL45/45N
90mm	30T-10-50	35T/55	TL40/55N
90mm	40T-10-40	45T/45	TL45/50N
90mm	35-10-45T	40/50T	TL40/60N
90mm	35T-10-45	40T/50	TL45/55N
95mm	35-10-50T	40/55T	TL50/50N

Stocked Keyed Alike Cylinders

We have a range of cylinders that we stock in keyed alike in pairs on the shelf. Each pair are the same size and finish, and have been keyed alike together to work with the same key.

Overall Size	Split (X-10-X)	Split (X/X)	Brass Code	Nickel Code
70mm	30/10/30	35/35	TL35/35BKAP	TL35/35NKAP
90mm	35-10-45	40/50	TL40/50BKAP	TL40/50NKAP
90mm	40-10-40	45/45	TL45/45BKAP	TL45/45NKAP
95mm	35-10-50	40/55	TL40/55BKAP	TL40/55NKAP
95mm	40-10-45	45/50	TL45/50BKAP	TL45/50NKAP
100mm	40-10-50	45/55	TL45/55BKAP	TL45/55NKAP
100mm	45-10-45	50/50	TL50/50BKAP	TL50/50NKAP

Restricted Keyway Available

You have the option to have a restricted keyway on the cylinder. This comes with a square key, and makes the cylinder more secure as the blank is only available from selected companies.

Plug Size	Brass Code	Nickel Code
30mm	ZL30-RESTRICTEDPLUG-BRASS	ZL30-RESTRICTEDPLUG-NICKEL
35mm	ZL35-RESTRICTEDPLUG-BRASS	ZL35-RESTRICTEDPLUG-NICKEL
40mm	ZL40-RESTRICTEDPLUG-BRASS	ZL40-RESTRICTEDPLUG-NICKEL
45mm	ZL45-RESTRICTEDPLUG-BRASS	ZL45-RESTRICTEDPLUG-NICKEL

Pair alike
with UAP+
Cylinders



Tradelocks Cylinder



Rim Cylinder

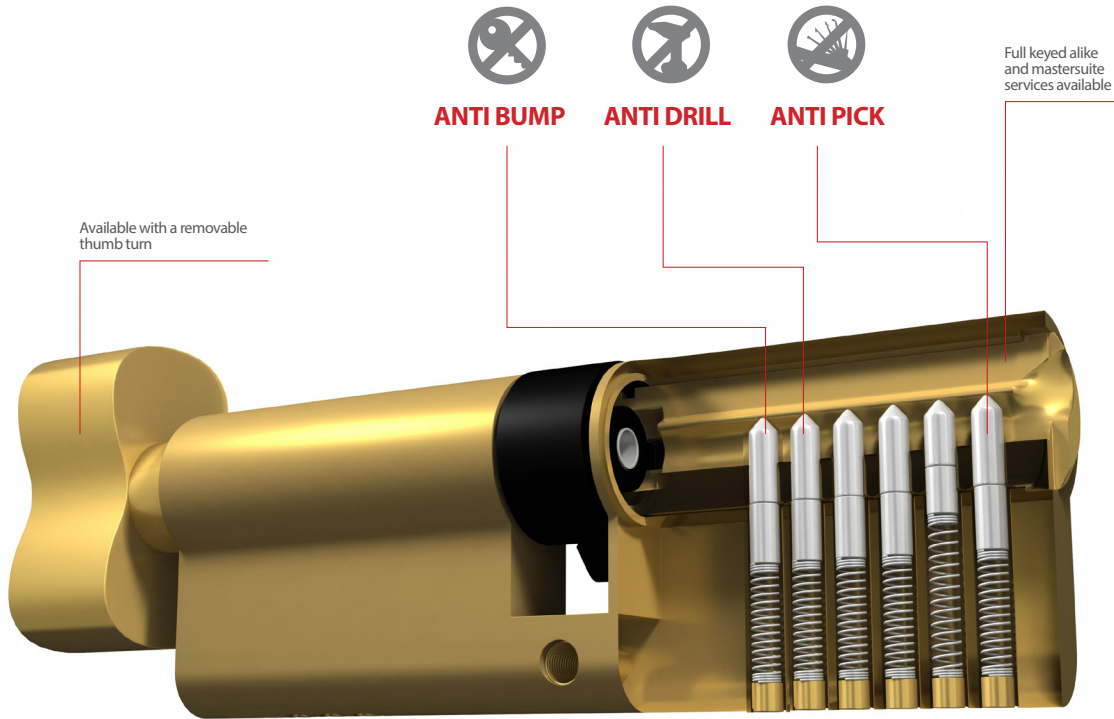


Same key



Tradelocks Thumb Turn Cylinders

Each and every cylinder is an extremely high quality 6 pin cylinder, with added security features. All cylinders come complete with anti-pick mushrooms, anti-drill pins and use our brand new Patented anti-bump timing pin system. The cylinders are also designed to operate as smoothly and effectively as possible.



Supplied with 3 keys

Has 6 pins and a removable thumb turn

Over 800,000 different key combinations!

Full keyed alike and mastersuite services available

Unrestricted keyway — easier for customers to get keys cut

Uniquely, it can be keyed alike to UAP+ 1* Cylinders and UAP 6 pin Rim Cylinders!

Comes with an anti-bump system feature

Part of the UAP Cylinder Guarantee Scheme



TradeLocks Thumb Turn Cylinders



Brass



Satin nickel

Overall size	Split (X-10-X)	Split (X/X)	Product Code
70mm	30T-10-30	35T/35	TL35T/35B
80mm	35T-10-35	40T/40	TL40T/40B
90mm	35T-10-45	40T/50	TL40T/50B
90mm	35-10-45T	40/50T	TL40/50TB
90mm	40T-10-40	45T/45	TL45T/45B
95mm	35T-10-50	40T/55	TL40T/55B
95mm	40T-10-45	45T/50	TL45T/50B
100mm	40T-10-50	45T/55	TL45T/55B
100mm	40-10-50T	45/55T	TL45/55TB
100mm	45T-10-45	50T/50	TL50T/50B

70mm	30T-10-30	35T/35	TL35T/35N
80mm	35T-10-35	40T/40	TL40T/40N
90mm	30T-10-50	35T/55	TL35T/55N
90mm	35T-10-45	40T/50	TL40T/50N
90mm	35-10-45T	40/50T	TL40/50TN
90mm	40T-10-40	45T/45	TL45T/45N
95mm	35T-10-50	40T/55	TL40T/55N
95mm	40T-10-45	45T/50	TL45T/50N
100mm	40T-10-50	45T/55	TL45T/55N
100mm	40-10-50T	45/55T	TL45/55TN
100mm	45T-10-45	50T/50	TL50T/50N

The thumb turn is on the T side of the code

Stocked Keyed Alike Cylinders

We have a range of cylinders that we stock in keyed alike in pairs on the shelf. Each pair are the same size and finish, and have been keyed alike together to work with the same key.

Overall Size	Split (X-10-X)	Split (X/X)	Brass Code	Nickel Code
70mm	30T-10-30	35T/35	TL35T/35BKAP	TL35T/35NKAP
90mm	35-10-45T	40/50T	TL40/50TBKAP	TL40/50TNKAP
90mm	35T-10-45	40T/50	TL40T/50BKAP	TL40T/50NKAP
100mm	40T-10-50	45T/55	-	TL45T/55NKAP
100mm	45T-10-45	50T/50	TL50T/50BKAP	TL50T/50NKAP

Restricted Keyway Available

You have the option to have a restricted keyway on the cylinder. This comes with a square key, and makes the cylinder more secure as the blank is only available from selected companies.

Plug Size	Brass Code	Nickel Code
30mm	ZL30-RESTRICTEDPLUG-BRASS	ZL30-RESTRICTEDPLUG-NICKEL
35mm	ZL35-RESTRICTEDPLUG-BRASS	ZL35-RESTRICTEDPLUG-NICKEL
40mm	ZL40-RESTRICTEDPLUG-BRASS	ZL40-RESTRICTEDPLUG-NICKEL
45mm	ZL45-RESTRICTEDPLUG-BRASS	ZL45-RESTRICTEDPLUG-NICKEL

Pair alike with UAP+ Cylinders



Tradelocks Cylinder

+



Rim Cylinder

=



Same key



Standard Security 1* Kitemarked Euro Cylinder

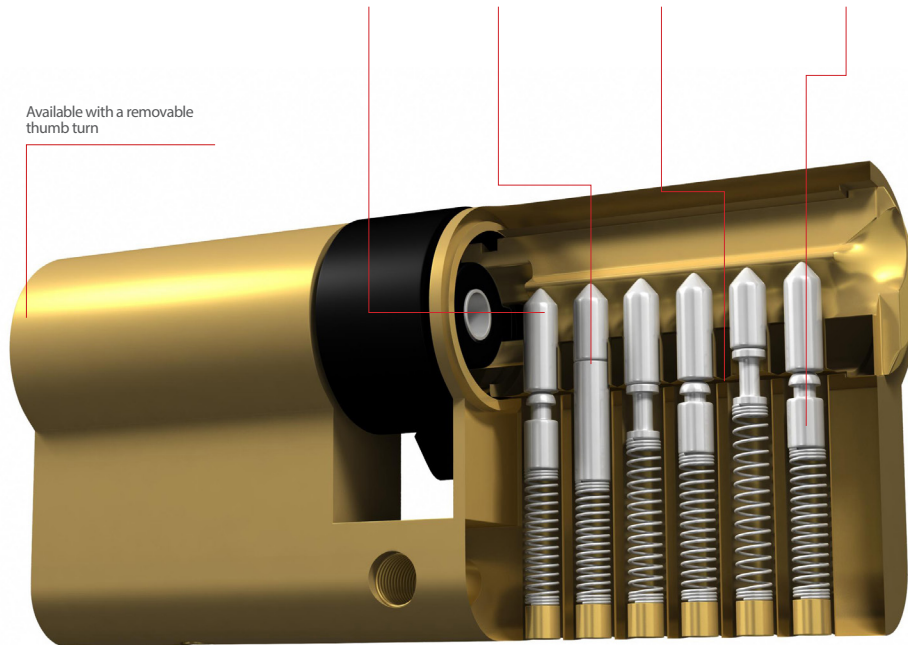
Each and every cylinder is an extremely high quality 6 pin cylinder, with added security features. All cylinders come complete with anti-pick mushrooms, anti-drill pins and use our brand new Patented anti-bump timing pin system. The cylinders are also designed to operate as smoothly and effectively as possible.



Official Police Security Initiative



ANTI PICK ANTI DRILL SACRIFICIAL CUT ANTI BUMP



Supplied with 3 keys

Has 6 pins and a removable thumb turn

Over 800,000 different key combinations!

Full keyed alike and mastersuite services available

Unrestricted keyway — easier for customers to get keys cut

Uniquely, it can be keyed alike to UAP+ 1* Cylinders and UAP 6 pin Rim Cylinders!

Comes with an anti-bump system feature

Part of the UAP Cylinder Guarantee Scheme



Standard Security Double 1* Kitemarked Euro Cylinder

Overall Size	Split (X-10-X)	Split (X/X)	Brass Code	Nickel Code	Chrome Code
65mm	25/10/30	30/35	30/35BZL	30/35NZL	30/35CZL
70mm	30/10/30	35/35	35/35BZL	-	35/35CZL
80mm	35-10-35	40/40	40/40BZL	-	-
95mm	40-10-45	45/50	45/50BZL	-	-



Standard Security Thumb Turn 1* Kitemarked Euro Cylinder

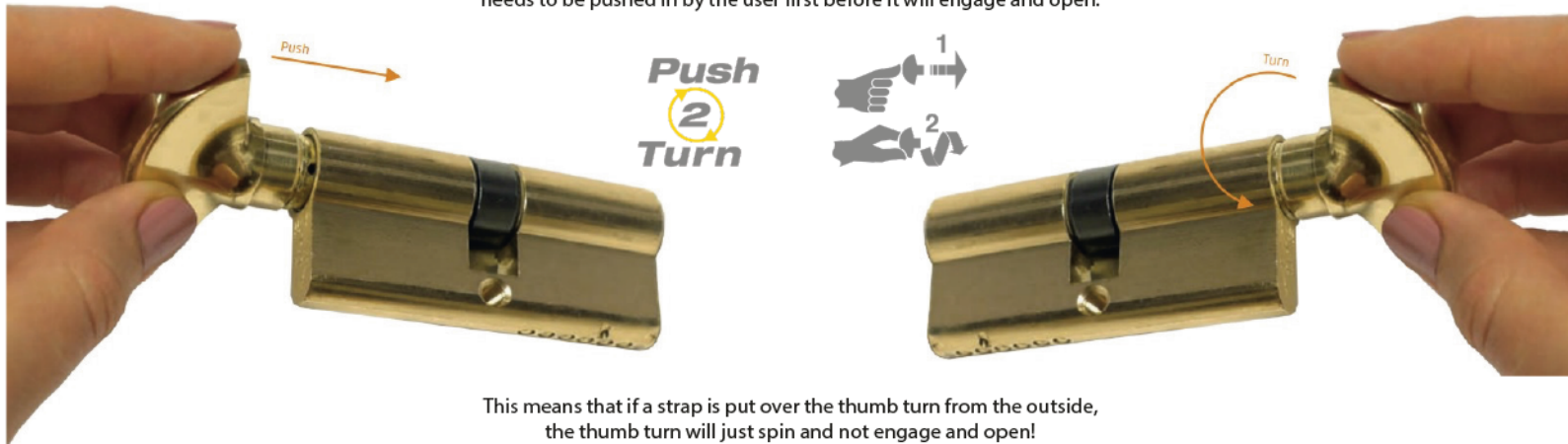
Overall Size	Split (X-10-X)	Split (X/X)	Brass Code	Nickel Code
65mm	25-10-30T	30/35T	30/35TBZL	30/35TNZL
70mm	30T-10-30	35T/35	-	-
80mm	35T-10-35	40T/40	-	40T/40NZL
95mm	40T-10-45	45T/50	-	45T/50NZL



Push 2 Turn Cylinders

Overall Size	Split (X-10-X)	Split (X/X)	Brass Code	Nickel Code	Chrome Code
70mm	30T-10-30	35T/35	35T/35BZL-P2T	35T/35NZL-P2T	35T/35CZL-P2T

The UAP Push-2-Turn system uses a Patented system where the thumb turn needs to be pushed in by the user first before it will engage and open:



This means that if a strap is put over the thumb turn from the outside, the thumb turn will just spin and not engage and open!

The UAP+ 1* cylinders can be combined with one of the options below to achieve a professionally looking 3* solution for PAS24 doors:

3 Star Solution



2* Kitemarked Security Handle



2* Kitemarked Escutcheon

ZEROLIFT[®]

ADVANCE



High Security 1* Half Cylinders

The high security half cylinder is the best choice for inexpensive home security installation. Created in accordance with the British Standards Kitemark, and also awarded the “Secured by Design” approval by the Association of Police Officers, the high quality 6 pin Kitemarked euro half cylinder can be fitted to any external door in order to ward off criminals that attempt to use the most popular break-in methods.

Supplied with 3 keys

Over 800,000 different key combinations!

Unrestricted keyway — easier for customers to get keys cut

Comes with an anti-drill plate for extra security

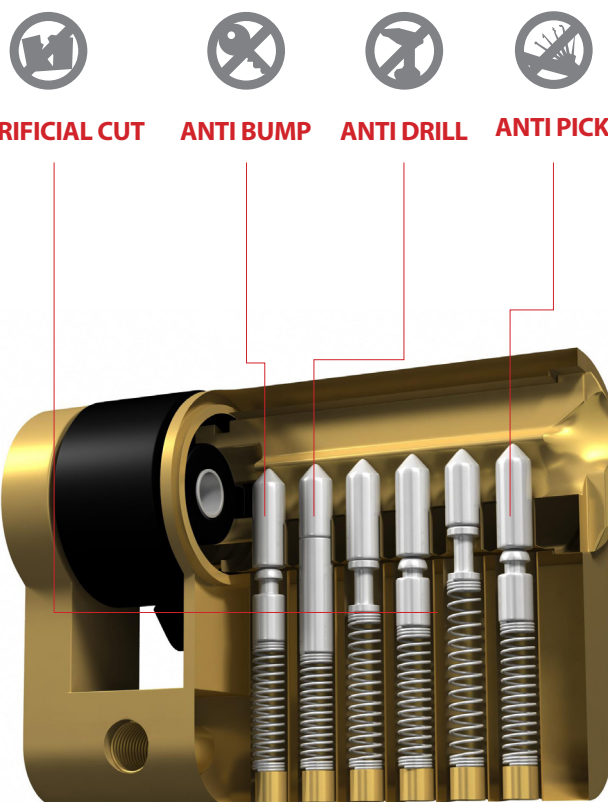
Available with removable thumb turn

Full keyed alike and mastersuite services available

Uniquely, it can be keyed alike to Kinetica 3* Cylinders and UAP 6 pin Rim Cylinders!

Part of the UAP Cylinder Guarantee Scheme

The UAP+ 1* cylinders can be combined with 2* Kitemarked Handle or 2* Kitemarked Escutcheon to achieve a 3* solution for PAS24 doors



SACRIFICIAL CUT

The cylinder has a sacrificial cut on the each side, so when force is applied to either end, the cylinder will break away to the sacrificial cut line only, leaving the remaining cylinder operational and the locking mechanism intact.



ANTI BUMP

The cylinder has a unique and patented anti-bump system which does not use trap pins. This system makes the turning of the cylinder key extra smooth.



ANTI DRILL

7 x hardened steel anti-drill pins are in each side of the cylinder. Plus all moving pins are nickel plated hardened steel 50 HRC minimum.



ANTI PICK

Minimum of 3 anti-pick pins in each side of the cylinder makes it extremely difficult for a common burglar to pick the cylinder.



1* Half Cylinders



Brass



Satin nickel



Black

Overall size	Split (X-10-X)	Split (X/X)	Product Code
40mm	30/10/17	35/5	30/10BZL
45mm	35-10	40/5	35/10BZL
50mm	40-10	45/5	40/10BZL
50mm	40-10	45/5	40/10NZL
40mm	25/10/05	30/10/17	ZL25/5BLACK
45mm	30/10/05	35/10	ZL30/5BLACK
50mm	05/10/35	40/10	ZL35/5BLACK

1* Half Thumb Turn Cylinders

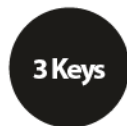


Brass



Satin nickel

50mm	40T-10	45T/5	40T/10BZL
50mm	40T-10	45T/5	40T/10NZL



The UAP+ 1* cylinders can be combined with one of the options below to achieve a professionally looking 3* solution for PAS24 doors:

3 Star Solution



2* Kitemarked Security Handle



2* Kitemarked Escutcheon



Standard Security Half Cylinders

The UAP Standard Security Euro Half Cylinder is a great choice for inexpensive home security installation. The half cylinder is ideal for locks that need to be opened or locked from one side only. This includes garage door locks, patio door locks, stock room cupboard locks, broom cupboard locks, caretaker storage room locks etc.

Supplied with 3 keys

Over 800,000 different key combinations!

Unrestricted keyway — easier for customers to get keys cut

Comes with an anti-drill plate for extra security

Available with removable thumb turn

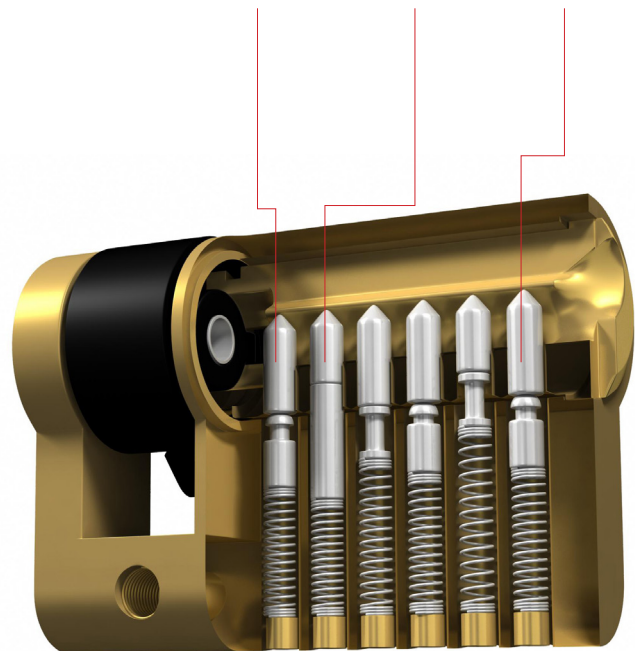
Full keyed alike and mastersuite services available

Uniquely, it can be keyed alike to Kinetica 3* Cylinders and UAP 6 pin Rim Cylinders!

Part of the UAP Cylinder Guarantee Scheme

The UAP+ 1* cylinders can be combined with 2* Kitemarked Handle or 2* Kitemarked Escutcheon to achieve a 3* solution for PAS24 doors

  
ANTI BUMP ANTI DRILL ANTI PICK



ANTI BUMP

The cylinder has a unique and patented anti-bump system which does not use trap pins. This system makes the turning of the cylinder key extra smooth.



ANTI DRILL

7 x hardened steel anti-drill pins are in each side of the cylinder. Plus all moving pins are nickel plated hardened steel 50 HRC minimum.



ANTI PICK

Minimum of 3 anti-pick pins in each side of the cylinder makes it extremely difficult for a common burglar to pick the cylinder.



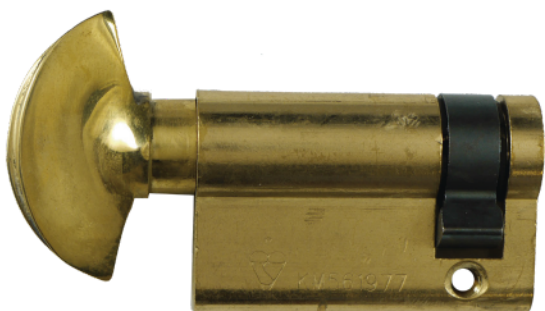
Uap Half Cylinder

Overall Size	Split (X-10-X)	Split (X/X)	Brass Code	Nickel Code
40mm	30/10/19	35/5	30/10BZL	-
45mm	35-10	35/5	35/10BZL	-
50mm	40-10	45/5	40/10BZL	40/10NZL



Uap Half Cylinder

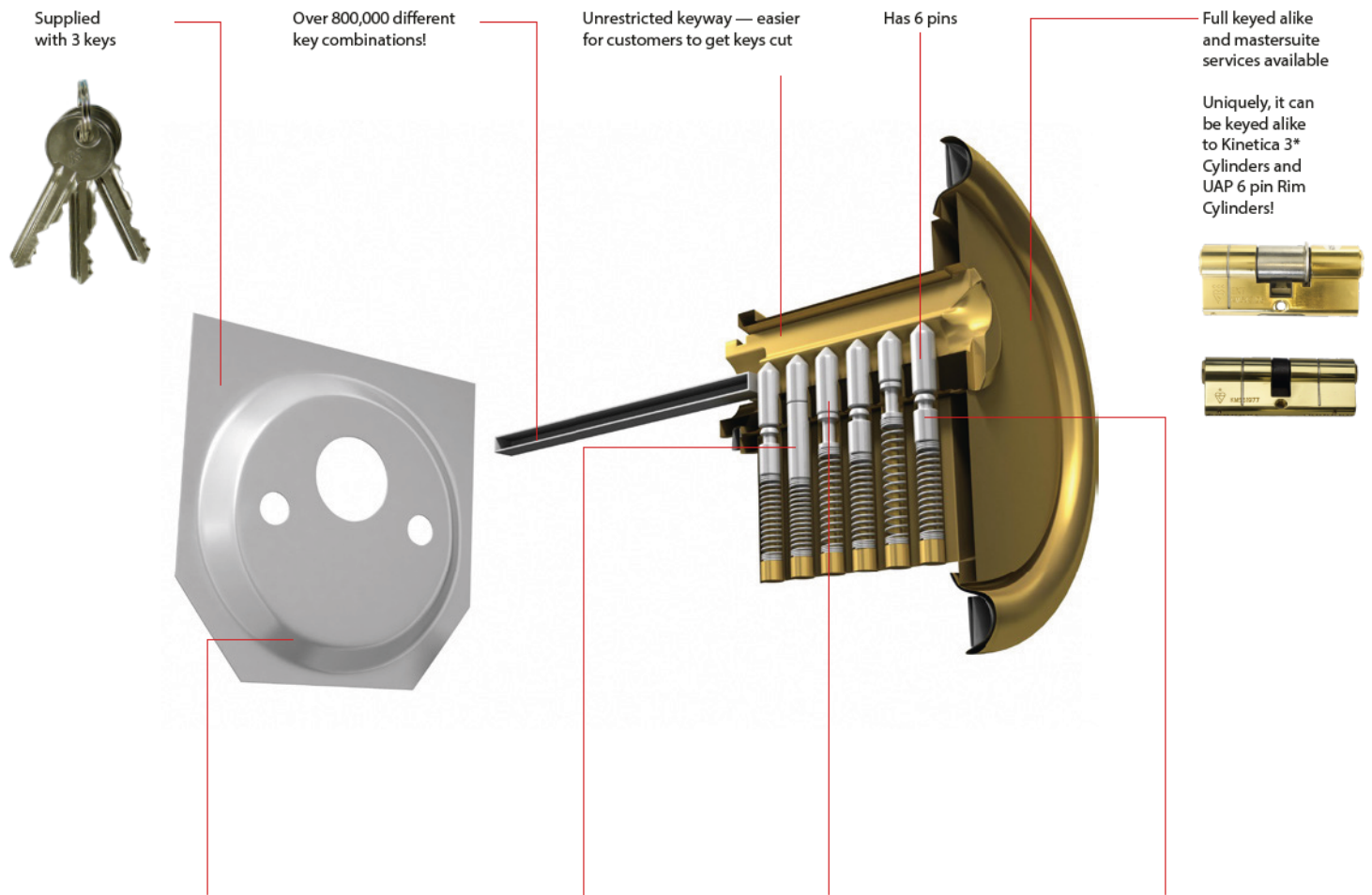
Overall Size	Split (X-10-X)	Split (X/X)	Brass Code	Nickel Code
50mm	40T-10	45T/5	40T/10BZL	40T/10NZL





Rim Cylinder

The rim cylinder is part of UAP's super smooth cylinders using the Chris Belcher designed anti-bump timing pin system. This very clever system uses nickel plated hardened steel key pins and driver pins, which gives the anti-drill feature we wanted to incorporate. The Patented timing pins are designed to interrupt the timing of the pins when bumped, and it is highly effective. And because we use special pins rather than trap pins, we do not have a high expense to get this anti-bump feature! The timing pins have inbuilt anti-picks, and mushroom driver pins, which makes them highly effective against picking.



ANTI BUMP

The cylinder has a unique and patented anti-bump system which does not use trap pins. This system makes the turning of the cylinder key extra smooth.



ANTI DRILL

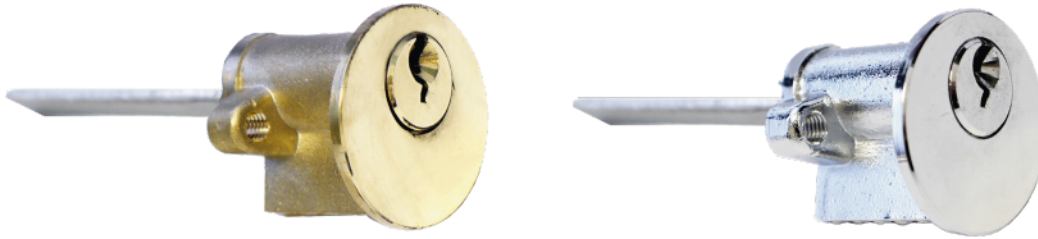
7 x hardened steel anti-drill pins are in each side of the cylinder. Plus all moving pins are nickel plated hardened steel 50 HRC minimum.



ANTI PICK

Minimum of 3 anti-pick pins in each side of the cylinder makes it extremely difficult for a common burglar to pick the cylinder.





Overall Size	Brass Code	Nickel Code
70mm	ZLRIMBRASS	ZLRIMCHROME

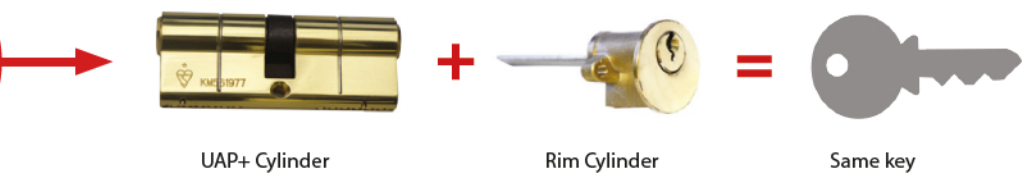


Restricted Keyway Available

You have the option to have a restricted keyway on the cylinder. This comes with a square key, and makes the cylinder more secure as the blank is only available from selected companies.

Brass Code	Nickel Code
ZLRIM-RESTRICTEDPLUG-BRASS	ZLRIM-RESTRICTEDPLUG-CHROME

Pair alike with UAP+ Cylinders





CUSTOMISED KEY BLANKS

Our brand new and revolutionary Colorama key blanks add a touch of colour to your customer's key ring, allowing them to quickly identify specific keys.

Available for the Kinetica 3 star Kitemarked and the UAP+ 1 star Kitemarked cylinders, the plastic insert simply clips onto the key's easy to operate square head.

The Colorama key clips allow you to quickly and cheaply laser engrave your company logo or contacts details on to each key.

With 14 different colours to choose from, you can personalise each key to complement your own company and brand colour!



Features Include:

Designed for UAP cylinders

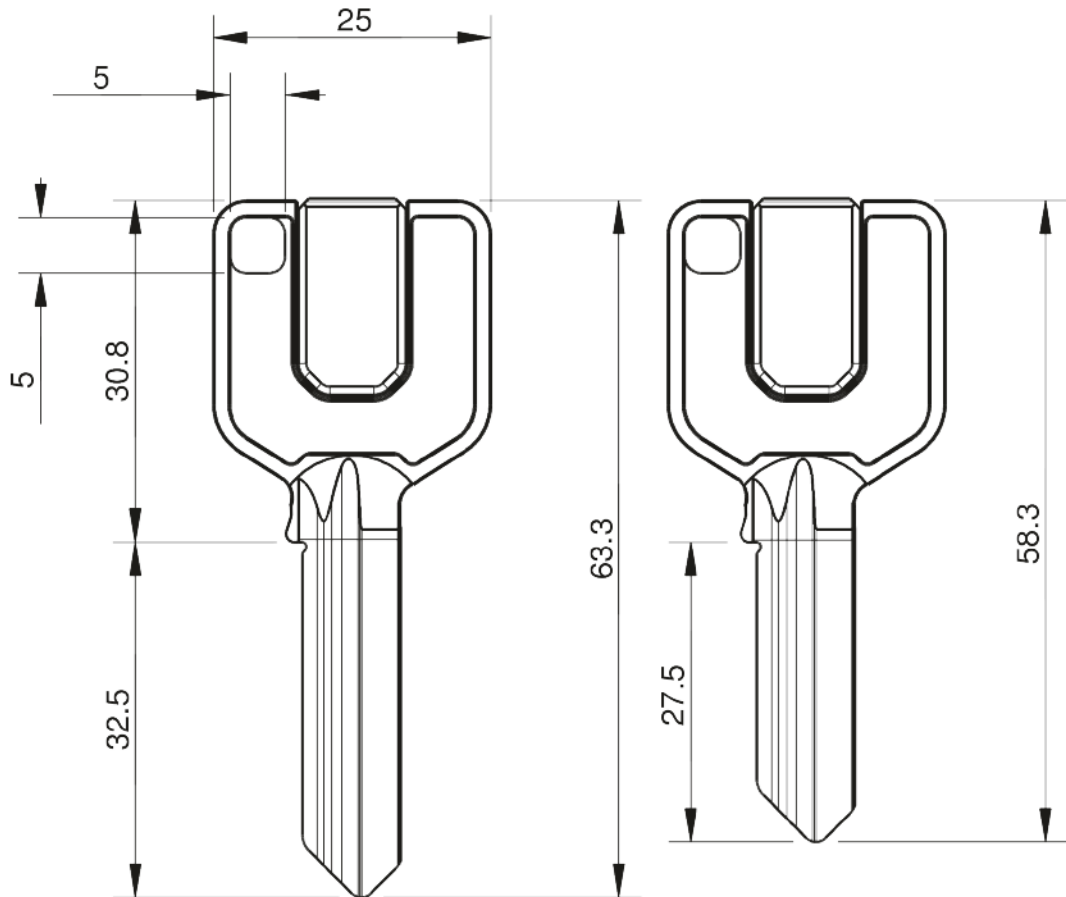
Customised key clips available to suit your brand

14 different colours to choose from

It is possible to engrave your company logo and details on to each side of the key clip

Square head makes it easier for people with arthritis or limited hand movement to operate the key

We supply two different keyblanks for UAP cylinders. When selecting what key blank you need, check the size of the cylinder it is for. If the cylinder has a 25mm side (i.e. ZL25/30BAS) then you will need the 'Product Code – 25mm Side.' If the cylinder has both sides which are 30mm and greater (i.e ZL30/30BAS) then use the 'Product code – 30mm+ Sides.'



Colour	Product Code – 30mm+ Sides	Product Code – 25mm Side
AQUA	CUSTOM-KEYBLANK-UAP-AQUA-INSERT	CUSTOM-KEYBLANK-UAP-25MM-AQUA-INSERT
BLACK	CUSTOM-KEYBLANK-UAP-BLACK-INSERT	CUSTOM-KEYBLANK-UAP-25MM-BLACK-INSERT
BLUE	CUSTOM-KEYBLANK-UAP-BLUE-INSERT	CUSTOM-KEYBLANK-UAP-25MM-BLUE-INSERT
BURGUNDY	CUSTOM-KEYBLANK-UAP-BURGUNDY-INSERT	CUSTOM-KEYBLANK-UAP-25MM-BURGUNDY-INSERT
GOLD	CUSTOM-KEYBLANK-UAP-GOLD-INSERT	CUSTOM-KEYBLANK-UAP-25MM-GOLD-INSERT
GREEN	CUSTOM-KEYBLANK-UAP-GREEN-INSERT	CUSTOM-KEYBLANK-UAP-25MM-GREEN-INSERT
ORANGE	CUSTOM-KEYBLANK-UAP-ORANGE-INSERT	CUSTOM-KEYBLANK-UAP-25MM-ORANGE-INSERT
PINK	CUSTOM-KEYBLANK-UAP-PINK-INSERT	CUSTOM-KEYBLANK-UAP-25MM-PINK-INSERT
PURPLE	CUSTOM-KEYBLANK-UAP-PURPLE-INSERT	CUSTOM-KEYBLANK-UAP-25MM-PURPLE-INSERT
RED	CUSTOM-KEYBLANK-UAP-RED-INSERT	CUSTOM-KEYBLANK-UAP-25MM-RED-INSERT
SILVER	CUSTOM-KEYBLANK-UAP-SILVER-INSERT	CUSTOM-KEYBLANK-UAP-25MM-SILVER-INSERT
SKY BLUE	CUSTOM-KEYBLANK-UAP-SKYBLUE-INSERT	CUSTOM-KEYBLANK-UAP-25MM-SKYBLUE-INSERT
WHITE	CUSTOM-KEYBLANK-UAP-WHITE-INSERT	CUSTOM-KEYBLANK-UAP-25MM-WHITE-INSERT
YELLOW	CUSTOM-KEYBLANK-UAP-YELLOW-INSERT	CUSTOM-KEYBLANK-UAP-25MM-YELLOW-INSERT

fullex[®]

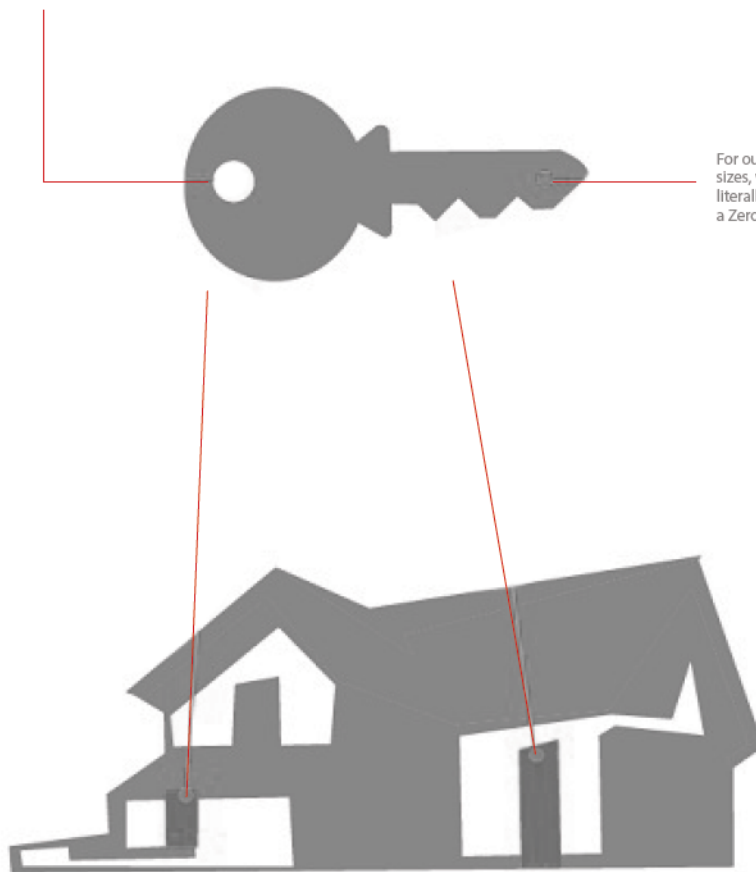
KEYED ALIKE CYLINDERS

Apart from just stocking a range of 'off the shelf' keyed alike cylinders in pairs, we are able to create custom keyed alike orders using our experienced in-house locksmiths. Our locksmiths are BSi Kitemark registered, which means when they key alike the cylinders, the Kitemark status of the cylinders is not affected. Using non-kitemark registered locksmiths to key alike Kitemarked cylinders will make the Kitemark invalid!

This means that it is possible to key alike any number of cylinders together, all of different sizes, finishes and with or without a thumbturn! You can offer your customers the full solution, and make front doors, back doors and patio doors all operate with one key!

It is now possible to key alike the UAP+ cylinders to the brand new UAP 6 pin Rim cylinders!

Access to front doors, back doors, garage doors and conservatories can be gained using just one key rather than having multiple keys



For our most popular keyed alike, and master keyed sizes, we offer Shell Cylinder which re-pin a cylinder in literally seconds. All you will need is an Allen Key and a Zero Lift set of pins, springs and caps.

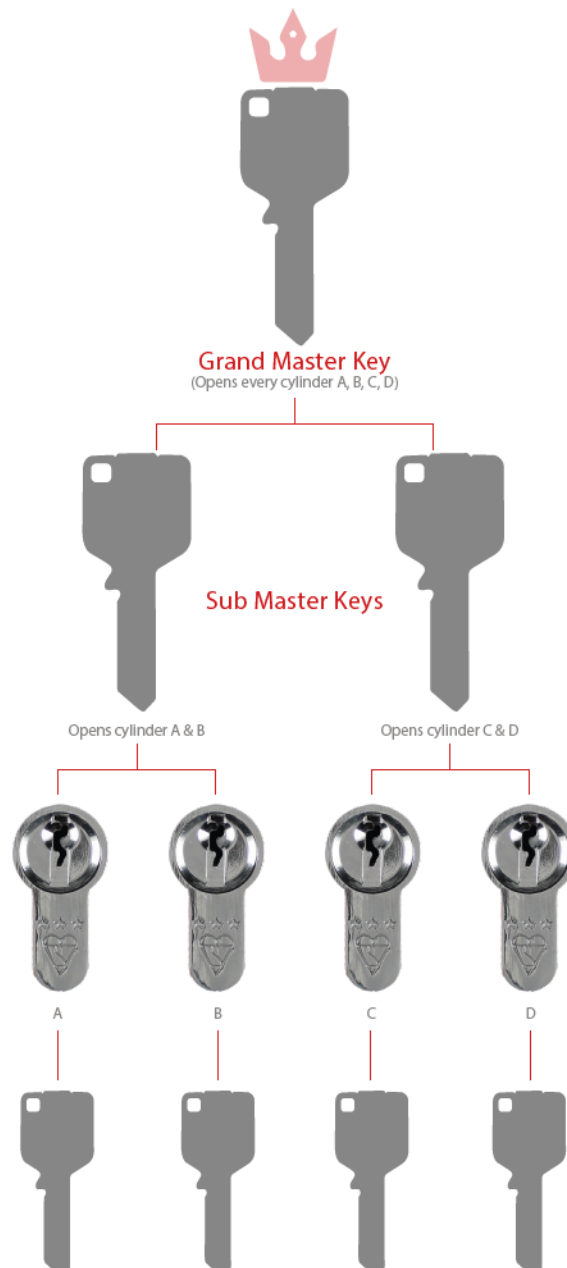
MASTERSUITE CYLINDERS

We are able to create custom mastersuite cylinders orders using our experienced in-house locksmiths. Our locksmiths are BSi Kitemark registered, which means when they mastersuite the cylinders, the Kitemark status of the cylinders are not affected. Using non kitemark registered locksmiths to mastersuite Kitemarked cylinders will make the Kitemark invalid!

No matter how complicated the mastersuite system, our powerful software will be able to create the system for you, giving different keys the power to open different doors.

This means that it is possible to mastersuite any number of cylinders together, all of different sizes, finishes and with or without a thumbturn! This is ideal for local authorities, sheltered accommodation, commercial premises, apartment buildings, hotels and University blocks!

If you are struggling to figure out how a mastersuite system will work best, our locksmiths are on hand to help you out and create a system for you!





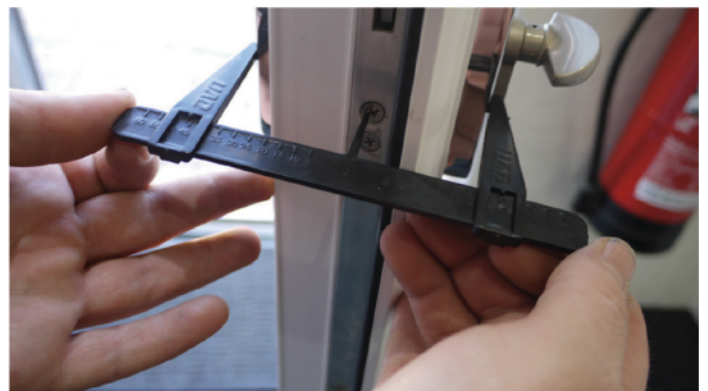
CYLINDER GAUGE

The UAP Cylinder Gauge is perfect for those who offer a door to door cylinder upgrade service as it allows you to quickly measure a cylinder that it is already fitted into the door.

This lock measurer is extremely easy to use and it is very similar to an airfix model. In order to use this tool, you just need to follow a few simple steps:

- 1) Remove the piece from the frame to assemble the Gauge
- 2) Attach the two arms to the 'ruler' strip
- 3) Place the centre point of the Gauge into the fixing hole of the door (beneath the latch)
- 4) Slide the arms on either side to the ends of the door handle (do not measure to the end of the cylinder, as it might not currently be the right size)
- 5) Read the Gauge to ascertain the precise size cylinder you need to replace

e.g. If the Gauge reads left to centre 35mm and centre to right 50mm, then you need a 85 mm overall, 35/50 cylinder (or a 30-10-45).



Product code: CYLINDERGAUGE BULK

Fullex Testing Services

Fullex testing services is a UKAS accredited testing laboratory No. 2259 with over 15 years of testing experience.

We offer PAS 24: 2012 and PAS 24: 2016 testing for residential doors and windows. The PAS24 direct load and manual intervention testing provide a method for assessing the security of doors and windows against unauthorized forced entry from an opportunist burglar.

Fullex testing services offer indicative testing for development purposes in addition to full testing. All tests are carried out by our highly experienced team of test engineers.

Fullex Testing Services work closely with Secured by Design and our test results are accepted by BSI, BRE, BBA and Q-Mark for inclusion within their third party certification schemes.

Local authorities and housing associations frequently specify to these standards and the tests listed are the basis for Secured by Design accreditation. Since October 2015, the PAS24 test became the basis for Document Q compliance on new build homes.



UAP Limited

Web: www.uapcorporate.com
E-mail: sales@uapcorporate.com

Tel: 0161 796 7268
Fax: 0161 796 7410

Unit 1, Albert Close Trading Estate
Whitefield, Manchester
M45 8EH
England, UK