

PUSH TO LOCK WINDOW RESTRICTOR

The Royal Society for the Prevention of Accidents provides research that states that in the UK over 4,000 children under the age of 15 are injured yearly from unsecured windows which they fall out of, with 2,000 of these accidents involving children under 5 years old. A small yet very effective and extremely affordable solution is the UAP window restrictor.



The window restrictor has a 20cm long cable, which when installed correctly will limit the opening of the window to under 100mm. Not only will this prevent children from being able to fit through the gap, but it also allows enough air to circulate around a room.

Push to Lock Feature

The new push to lock feature allows the cable to be locked in place by simply pushing the mechanism into place without the need of the key. The window restrictor is lockable, and can be unlocked using a key if necessary, and the window will then be able to be opened fully. Due to this reason, it is possible to fit the UAP lockable window restrictor on fire escape windows, provided that the user keeps the key within easy reach.

To comply with the EN 13126-5:2011 + A1:2014 test standard, the restrictor(s) must be fitted so that the total opening of the whole length of the window opening is less than 89mm when using as a child safety product, and 100mm for other requirements.

The window restrictor is designed to take a minimum of a 35kg load when it is pushed open. The window may need to have multiple restrictors fitted to achieve this requirement. There is no minimum or maximum dimension for which window can be used as long as the window opening is restricted to 89mm or 100mm. Fitting instructions can be found here.

Features Include:

Can be used on all types of windows and doors including uPVC, aluminium, wooden and metal profiles

20cm long restrictor restricts window opening to under 100mm

Can withstand forces over 1000N (1KN) although we always aim for 2500N (255kg) and above – industry standard is 500N

Push to Lock feature means cable is locked into place without the need of the key

The unit is lockable so the window can be fully opened if necessary

Comes with 1 universal key – additional keys are available

Can be used on fire escape windows, as long as the key is kept within easy reach

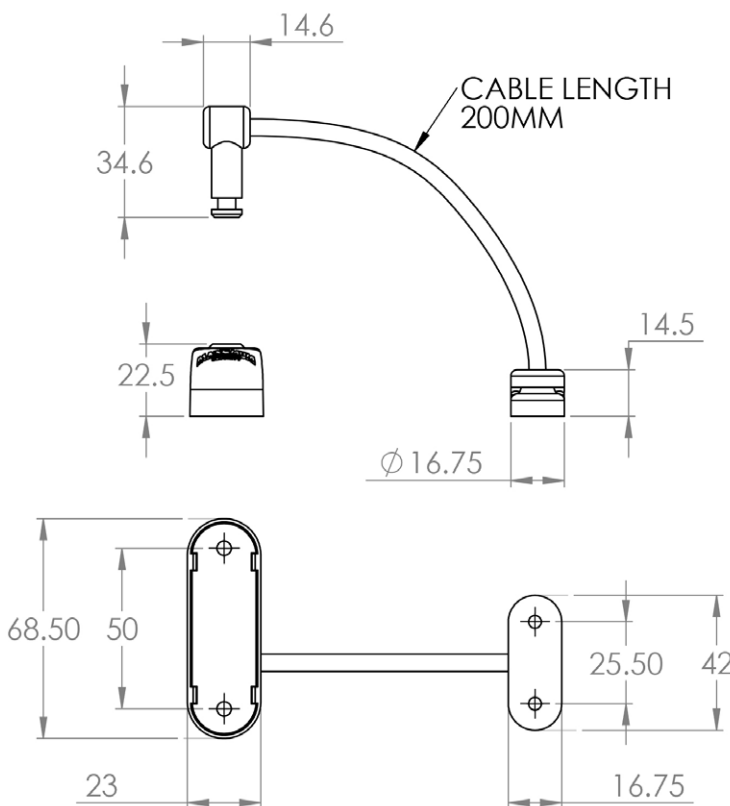
Supplied with 4 self drilling screws

Locking system and key resistant to oxidation and corrosion

Tested to EN 13126-5:2011 + A1:2014



Finish	Cord Colour	Code
White	White	WRWHITE



One of the important features on the UAP window restrictor is the strength of the cable once locked into the locking system. Some window restrictors claim that the strength of the cable exceeds 500kg. However, even though this may be true, it does not mean anything as it is the strength of the cable once locked into the locking system that actually matters. The UAP window restrictor, once the cable is locked into the locking system, can withstand forces over 100kg, which is more than enough to take the weight of any child. This is twice the industry standard which is 50kg!

The cable itself is made from hardened steel, which makes it extremely difficult to cut. It makes the window restrictor ideal for customers who are based on ground floors, and want to leave their windows open but are afraid that they may be broken in to!

Our new Push to Lock Window Restrictor is available in our most popular finish – white. Help prevent child injury and help protect your client's windows open with the UAP push to lock window restrictor!