

# fullex<sup>®</sup> Fire Door Slam Shut Auto Lock

## SINGLE DOORS

Based on the popular Crimebeater lock, the all new fire door slam shut auto lock has an actuator unit positioned between the centre case and the top bolt.

When the door is closed a trigger in the actuator is depressed by a strike plate fitted to the outer frame which allows the actuator to drive the top and bottom

bolts into their extended position. A single rotation of the key then locks the door.

Available in dual spindle for use with 92mm/92mm or 92mm/62mm long backplate handles and is supplied complete with strike plate.

Composite  
Doors

Timber  
Doors

Based on the Fullex Crimebeater lock

Dual Spindle Lock

Supplied complete with strike plate

Easily reversible latch as standard

Tested to 50,000 full cycles

For use with composite and timber doors

Comes with a 10 year guarantee



### Technical Data

#### Corrosion Resistance

BS EN 1670 Grade 5 (480 hours)

#### Cycle Operation

Cycle tested to 50,000 operations

### Materials

#### Top and Bottom Hook

Chrome plated A3 hardened steel

#### Centre Deadbolt

CZ122 brass stamping

#### Faceplate

Zinc and clear passivated mild steel

#### Gearbox

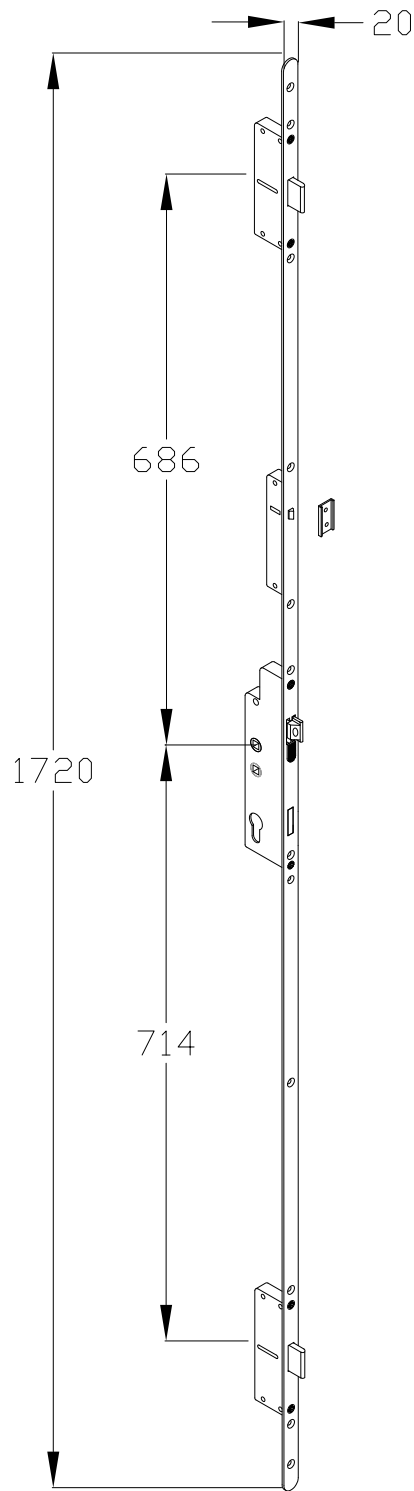
Zinc and clear passivated mild steel

For maximum security the fire door slam shut door lock Lock can be used with the Kinetica 3 star BSI Kitemarked TS007 cylinder.



The Fullex Crimebeater is engineered to provide long term reliability and security. For maximum security the Fire Door Slam Shut Lock is protected by common lock breaking techniques by the Kinetica

3 star BSI Kitemarked TS007 cylinder. The cylinder has proven defence against lock picking, drilling, bump attacks and lock snapping.



Faceplate: 1720mm x 20mm (Stainless Steel)  
700mm Centres

Spindle	Backset Size	Handle Backplate	Handle Centres	No of Hooks	No of Deadbolts	No of Mushrooms	Old Product Code	New Product Code
Dual	45mm	243mm	92mm or 92/62mm	0	3	0	-	FULLEX-CRB-AUTOLOCK

**KEEP SETS**

Type	Old Product Code	New Product Code
Radius	CRB0005-KE	CRB0004-KE