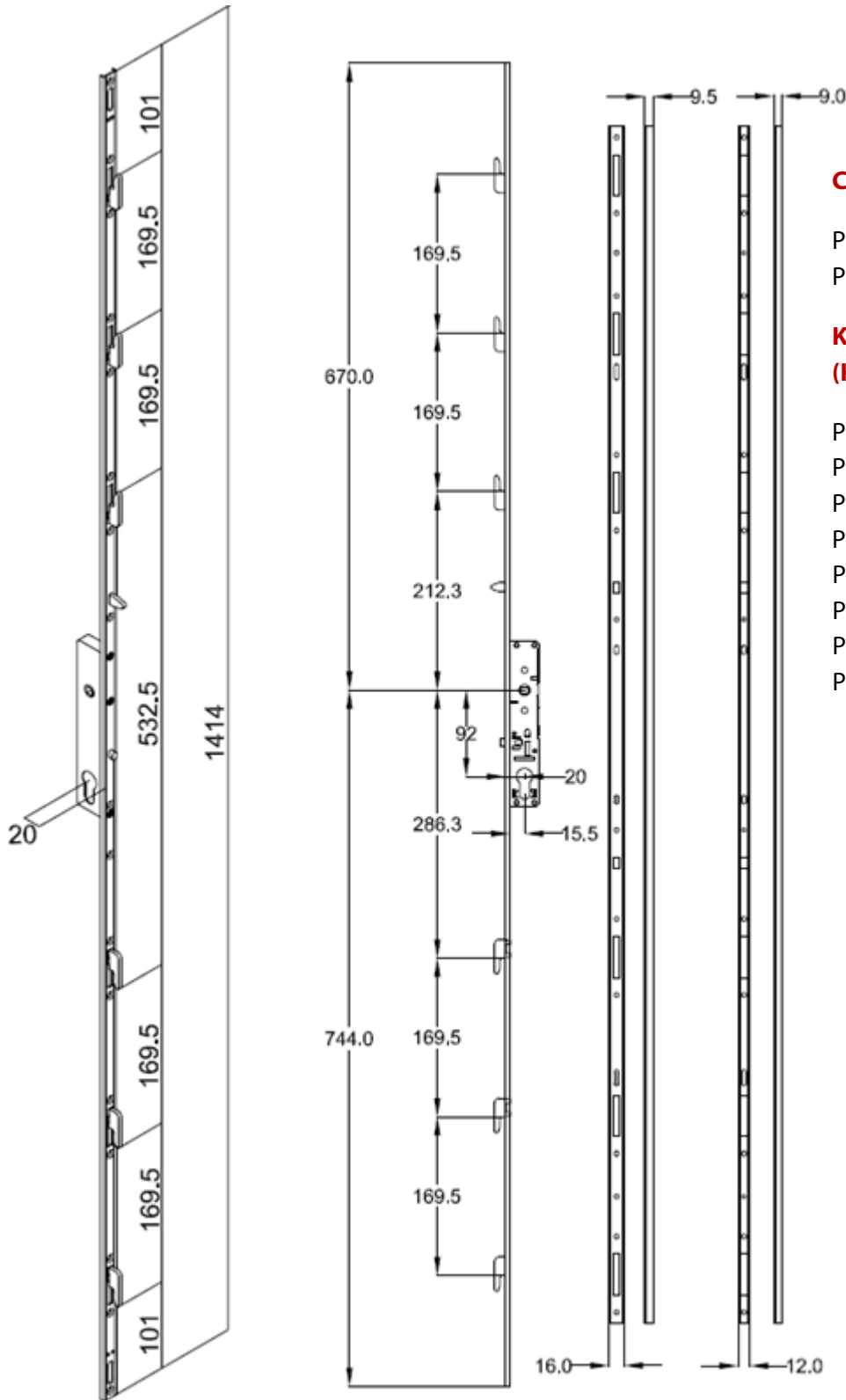


1414mm 6 Hook Patio Door Lock



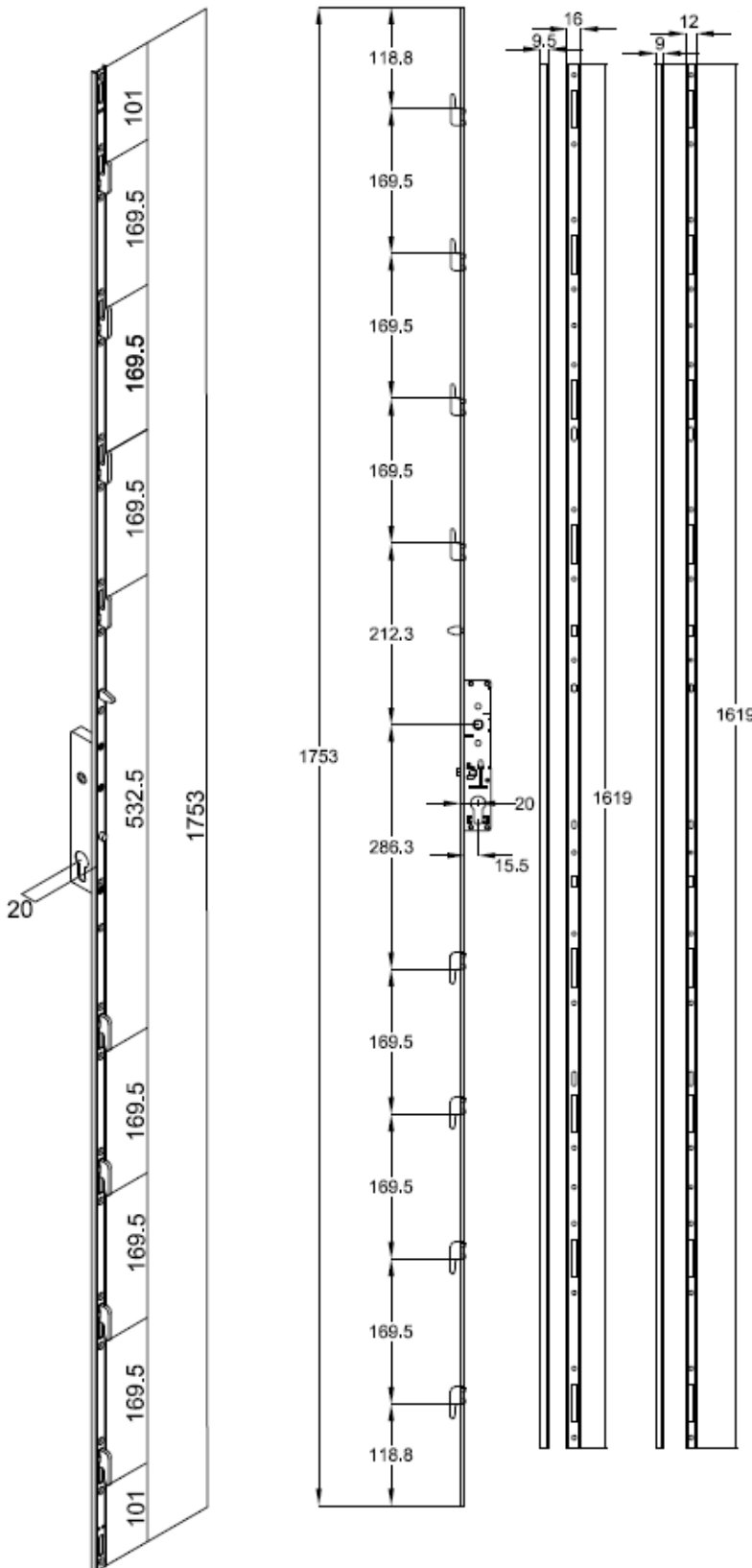
Compatible Keeps

- PDK1012 12mm wide keep
- PDK1016 16mm wide keep

Keep Profile Adapters (Keep Packers)

- PDLKP01 Veka / Rehau / Decunick 12mm
- PDLKP02 Profine / Kommerling 12mm
- PDLKP03 Eurocell 16mm
- PDLKP04 Synseal 16mm
- PDLKP05 Halo Bowater 16mm
- PDLKP06 Duraflex 16mm
- PDLKP07 Spectus 16mm
- PDLKP08 Plastmo 16mm

1753mm 8 Hook Patio Door Lock



Compatible Keeps

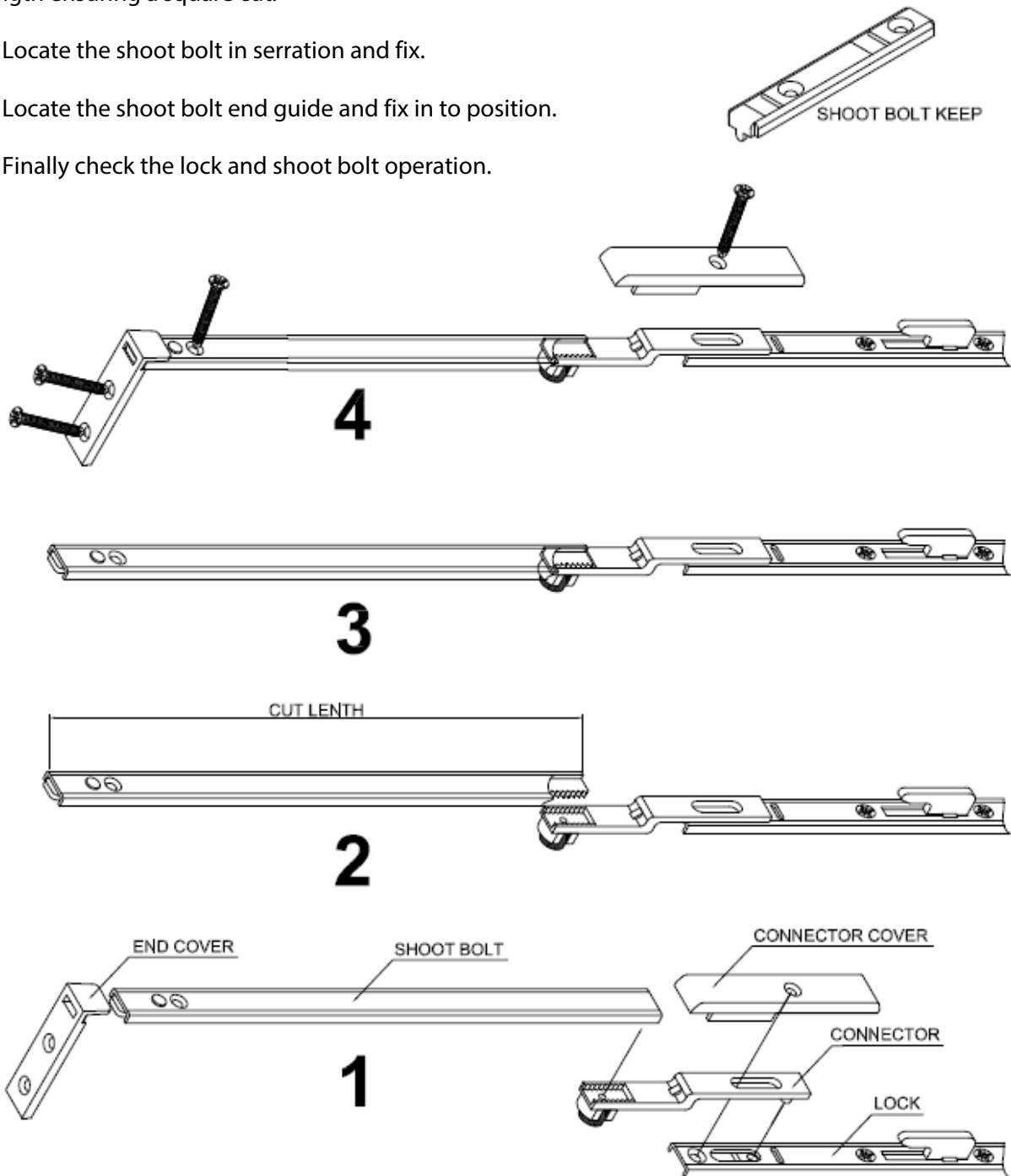
- PDK4012P## 12mm wide keep
- PDK4016P## 16mm wide keep

Keep Profile Adapters (Keep Packers)

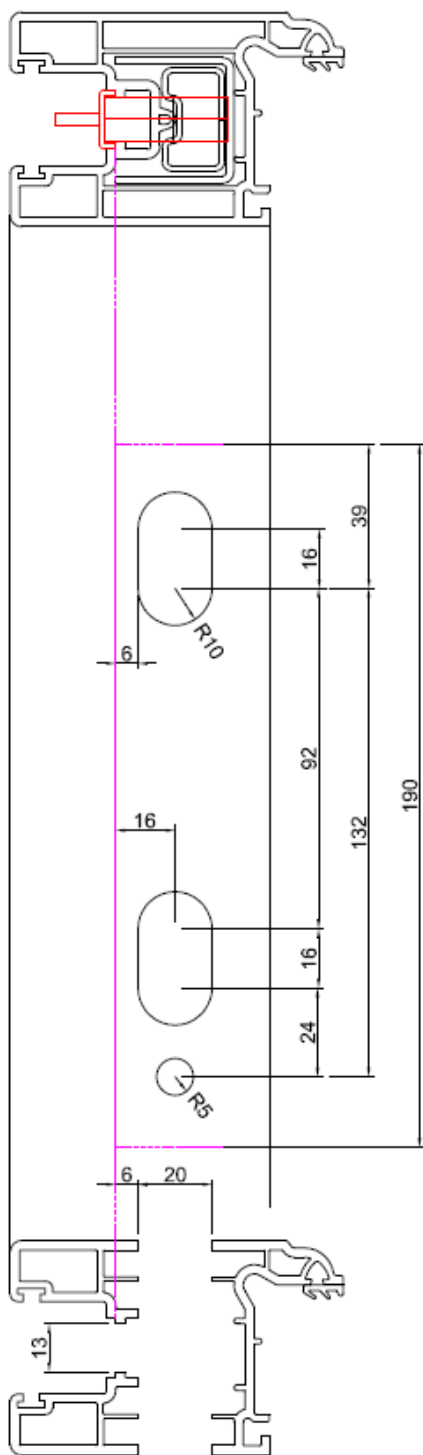
- PDLKP01 Veka / Rehau / Decunick 12mm
- PDLKP02 Profine / Kommerling 12mm
- PDLKP03 Eurocell 16mm
- PDLKP04 Synseal 16mm
- PDLKP05 Halo Bowater 16mm
- PDLKP06 Duraflex 16mm
- PDLKP07 Spectus 16mm
- PDLKP08 Plastmo 16mm

Patio Door Lock Shoot Bolt Fitting

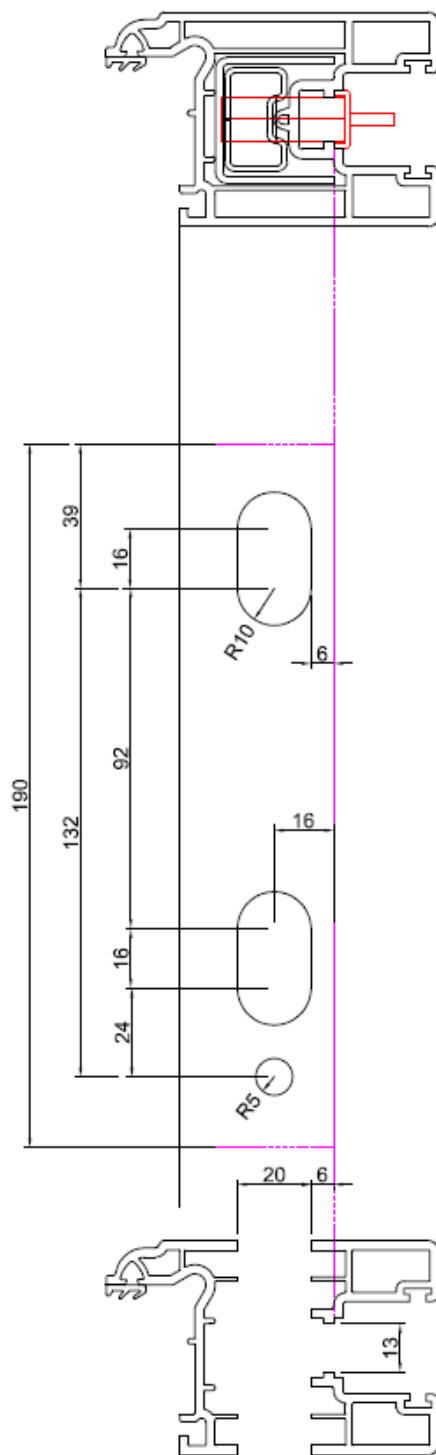
1. With the hooks retracted, fit the lock in to the sliding door. Locate the shoot bolt connector in to the lock opening slide.
2. Align the shoot bolt with the top of the door and mark the cutting dimension. Cut the shoot bolt to length ensuring a square cut.
3. Locate the shoot bolt in serration and fix.
4. Locate the shoot bolt end guide and fix in to position.
5. Finally check the lock and shoot bolt operation.



Patio Lock Preparation



viewed from out side
opens from the left



viewed from out side
opens from the right

**IMPORTANT
CHECK HANDLE
FIXING HOLES
AGAINST STYLE
HANDLE BEING USED**