

WHAT IS TS008?

TS008 has come in to effect that sets the advanced security requirements of letterplates. The updated door standard PAS24:2016, now requires that a door fitted with a letterplate has to have a letterplate that is tested to and meets the requirements of TS008. As well as covering key fishing, TS008 also covers preventing being able to unlock the door through the letterplate, whilst also allowing postal items to pass freely through it.



THE SOTERIAN TS008 LETTERPLATE

Named after the Goddess of Safety, the Soterin letterplate is stylish, streamlined and secure. It is the ultimate TS008 certified letterplate, made to protect and perfect your door. It is highly engineered with over 120 different processes in each letterplate, setting it apart from anything else currently on the market.

It has many features including:

Aluminium flap construction

Quick and easy fitting

Can withstand thousands of openings

Smooth working mechanism

No visible fixings

Designed for 44mm composite and timber doors – 48mm, 54mm, 56mm and 70mm versions coming soon

Offers maximum protection from key fishing

37 degrees opening to protect against key fishing

Patent pending

Full unrestricted door opening – minimal internal flap projection of only 35mm from the door falls within the end of the door handle meaning the door will open FULLY without the letterplate stopping it doing so

Anti-Vandal® feature

BSi certified to work on PAS24:2016 doors

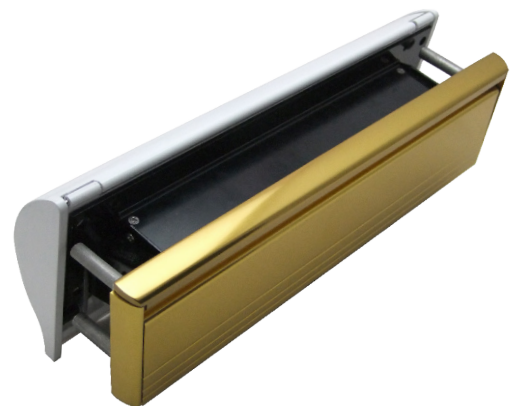
Firecheck version coming soon

Secured by Design
SBD
Official Police Security Initiative

KM670828

MIX AND MATCH SOLUTION

Our revolutionary mix and match solution gives you the freedom to choose what finish you want for the internal and external frame. Whether it is a black inner frame with a white outer frame, or a traditional gold inner flap and gold outer flap – the choice is yours! Choose from 5 different finishes gold anodised, silver anodised, polished silver, black and white.



THE SOSTERIAN

AVAILABLE IN 5 FINISHES

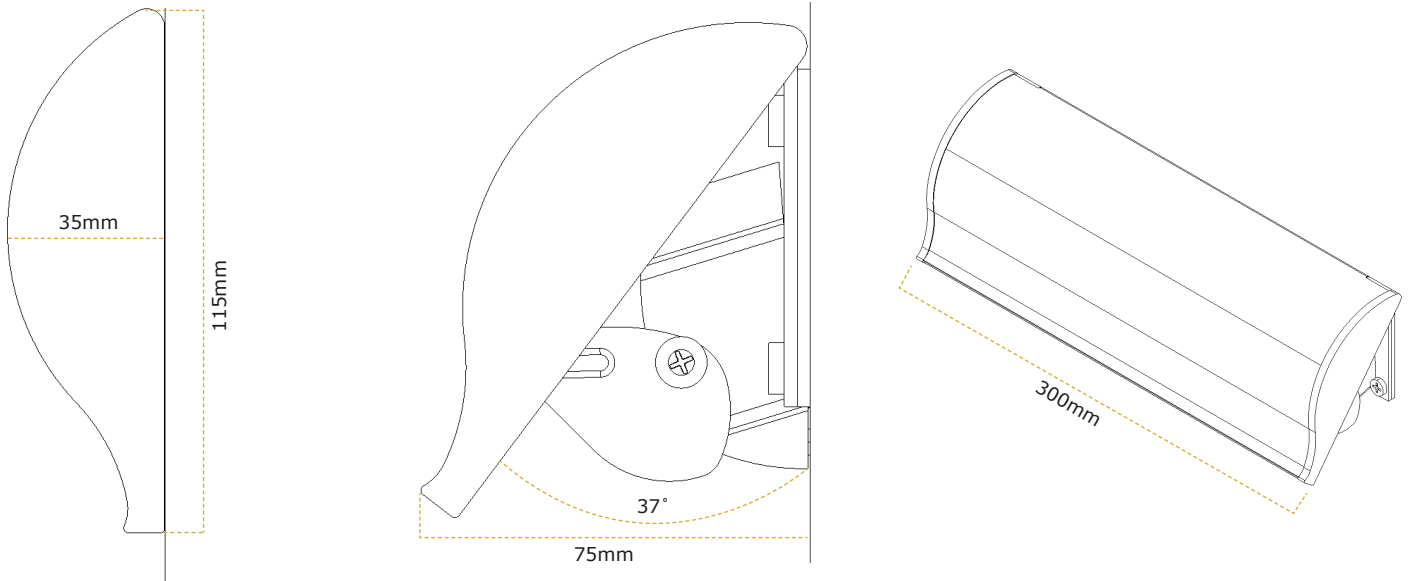
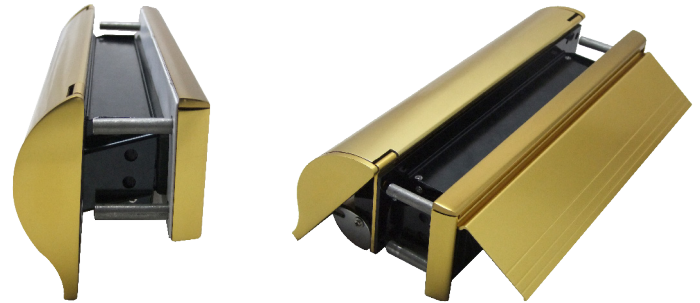
Finishes	Internal Frame Code	External Frame Code	Material Construction	Coating Guarantee
Gold Anodised	TS008-INTERNAL-GOLD	TS008-EXTERNAL-GOLD	Aluminium	5 Years Inland
Silver Anodised	TS008-INTERNAL-SILVER	TS008-EXTERNAL-SILVER	Aluminium	5 Years Inland
Polished Silver	TS008-INTERNAL-PS	TS008-EXTERNAL-PS	Aluminium	5 Years Inland
Black	TS008-INTERNAL-BLACK	TS008-EXTERNAL-BLACK	Aluminium	5 Years Inland
White	TS008-INTERNAL-WHITE	TS008-EXTERNAL-WHITE	Aluminium	5 Years Inland

Coming Soon



Internal Frame Sizes:

Letterplate Length 300mm
 Letterplate Height 115mm
 Projection 35mm
 Frame Material Aluminium



External Frame Sizes:

Distance Between Screw Holes 277mm
 Letterplate Length 305mm
 Letterplate Height 75mm
 Frame Material Aluminium
 Cavity Hole Size 53mm x 260mm

