

Signature Range

243MM BACKPLATE SIGNATURE STANDARD FRONT DOOR HANDLE

The Signature standard front door handle has a 243mm long backplate, and is aimed at the fabricator who wants to offer a high quality designed front door handle. Each front door handle in PVD Gold and Polished Chrome is made from Zamak, while the Black, White and Silver finishes are made from Aluminium, and comes with a 5 year colour fast guarantee.

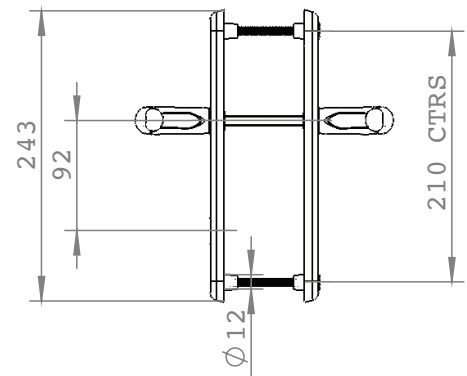
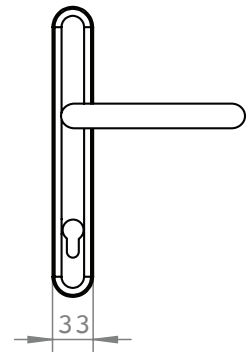
The Signature standard front door handle has a tube shaped handle, which gives a very comfortable grip when operating. As the Signature standard front door handle is not BSi Kitemarked, we recommend to fit the UAP Kinetica 3* Euro Cylinder with the front door handle in order to achieve a 3 star Kitemark status for PAS24 doors.



Signature Range

Features Include:

- High quality designed handle
- Has a 243mm long backplate
- Tube handle gives a very comfortable grip when operating
- PVD Gold and Polished Chrome handles are made from Zamak
- Black, White and Silver handles are made from Aluminium
- Each handle comes with a 5 year colour fast guarantee!



243MM BACKPLATE SIGNATURE STANDARD FRONT DOOR HANDLE

Finish	243mm Backplate	Material Construction	Coating Guarantee
PVD Gold	DH243PVDG-SIGNATURE	Zamak	5 year colourfast
Polished Chrome	DH243CH-SIGNATURE	Zamak	5 year colourfast