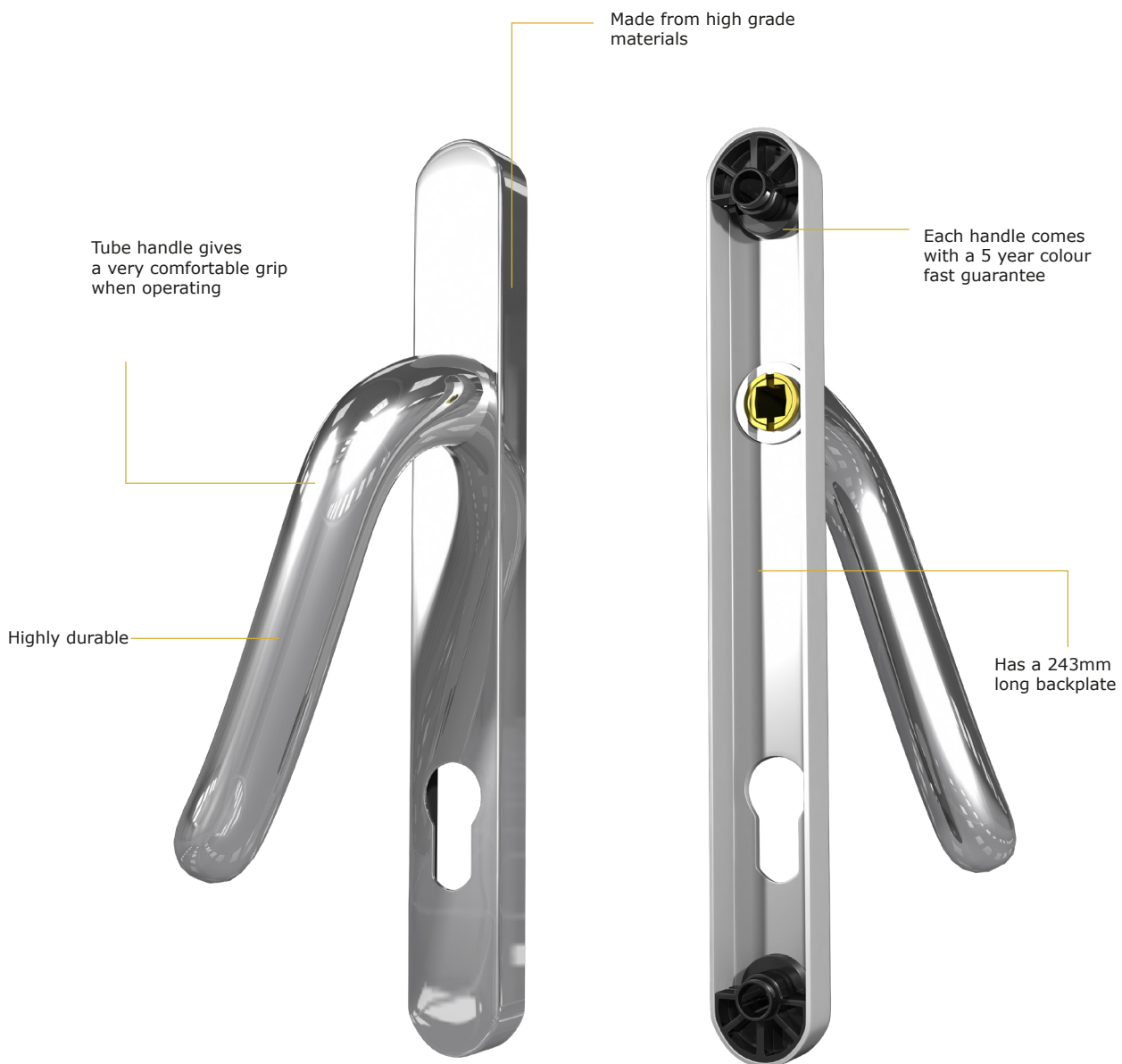


## 243MM BACKPLATE SIGNATURE STANDARD FRONT DOOR HANDLE

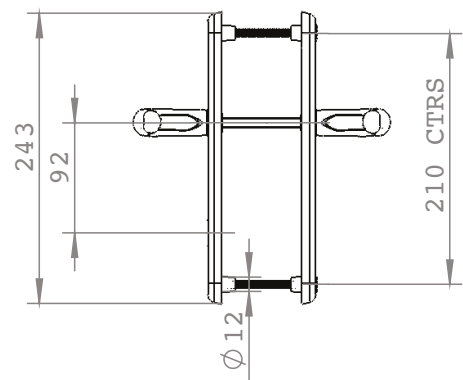
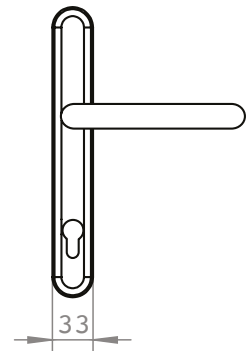
The UAP Signature standard front door handle has a 243mm long backplate, and is aimed at the fabricator who wants to offer a high quality designed front door handle. Each front door handle in PVD Gold and Polished Chrome is made from Zamak, while the Black, White and Silver finishes are made from Aluminium, and comes with a 5 year colour fast guarantee.

The Signature standard front door handle has a tube shaped handle, which gives a very comfortable grip when operating. As the UAP Signature standard front door handle is not BSi Kitemarked, we recommend to fit the UAP Kinetica 3\* Euro Cylinder with the front door handle in order to achieve a 3 star Kitemark status for PAS24 doors.



## Features Include:

High quality designed handle  
 Has a 243mm long backplate  
 Tube handle gives a very comfortable grip when operating  
 PVD Gold and Polished Chrome handles are made from Zamak  
 Black, White and Silver handles are made from Aluminium  
 Each handle comes with a 5 year colour fast guarantee!



## 243MM BACKPLATE SIGNATURE STANDARD FRONT DOOR HANDLE

Finish	243mm Backplate	Material Construction	Coating Guarantee
PVD Gold	DH243PVDG-SIGNATURE	Zamak	5 year colour fast
Polished Chrome	DH243CH-SIGNATURE	Zamak	5 year colour fast