

XL Exodus Panic Hardware is the only emergency exit system that can be used with Fullex multipoint locks. It comes with a full width, powder coated steel crash bar which can quickly be pushed to release the lock and open the door – allowing anyone inside to exit swiftly and safely. Re-engaging the locking system is also simple, as it just requires the crash bar arm to be lifted back into position.

The system is for single doors and can be used on uPVC, Composite, Timber, Aluminium and Steel materials. It can also be installed with an external operating handle if desired and comes with a matching slave unit.

PAS24 tested

---

For use on single PVCu, Composite, Timber, Aluminium or Steel doors

---

Designed for use with the Fullex XL Lock and the Fullex XL Crimebeater

---

Comes with matching slave unit with one piece or individual keep sets available

---

Full width crash bar with optional external handle

---

CE marked and comes with a 10 year guarantee

---



## Technical Data

### Corrosion Resistance

BSEN1670 Grade 4 (240 hours)

### Cyclic Operation

Cycles Tested to 200,000 cycles

## Materials

### Top and Bottom Hook

Hardened cast steel

### Deadbolt

Hardened cast steel

### Centre Hook

Sintered steel

### Faceplate

16 or 20mm silver passivated mild steel, white or brown 44mm PVCu with matching hingeplate

### Gearbox

Silver passivated steel

### Push Pad and Slave Unit

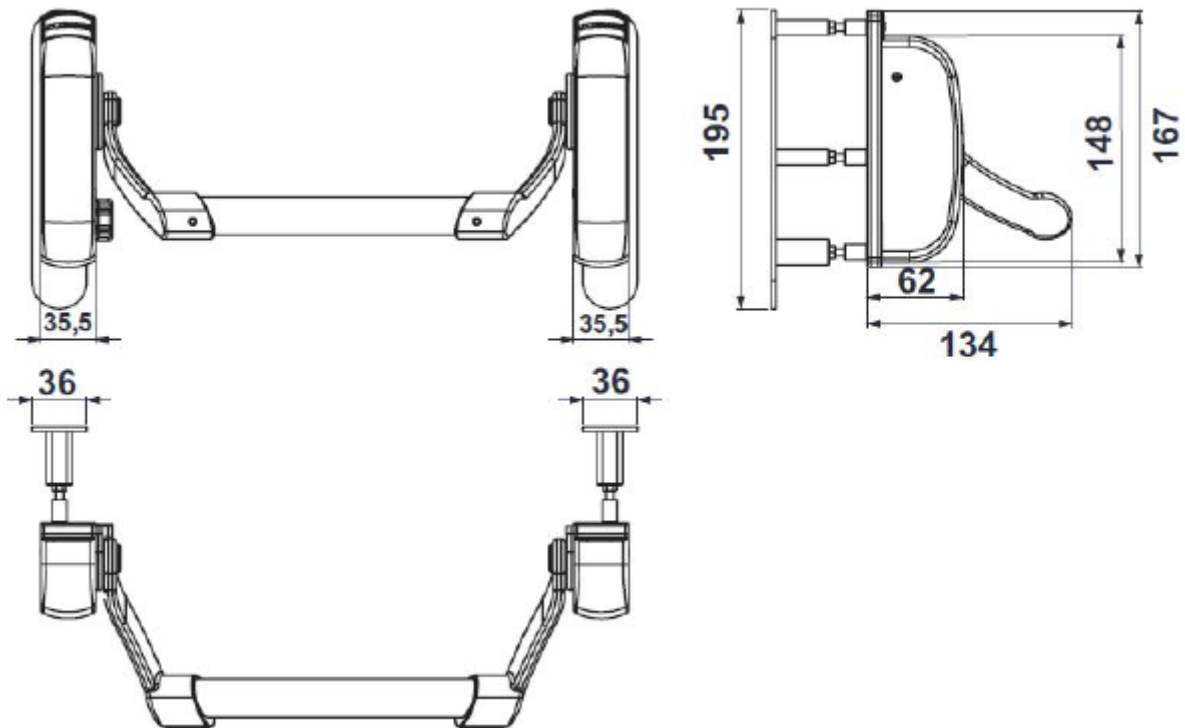
Powder coated steel

### Crash Bar

Powder coated steel



The XL Exodus is an EN1125:2008 tested and CE marked system which provides a rapid way out from the inside, whilst retaining maximum security from the outside. It can only be used with the Fullex XL Lock or the Fullex XL Crimebeater, which are both PAS24 compliant, Secured by Design licensed and highly secure.



Product Code	With External Operating Handle
XLEXODUS1	No
XLEXODUS2	Yes