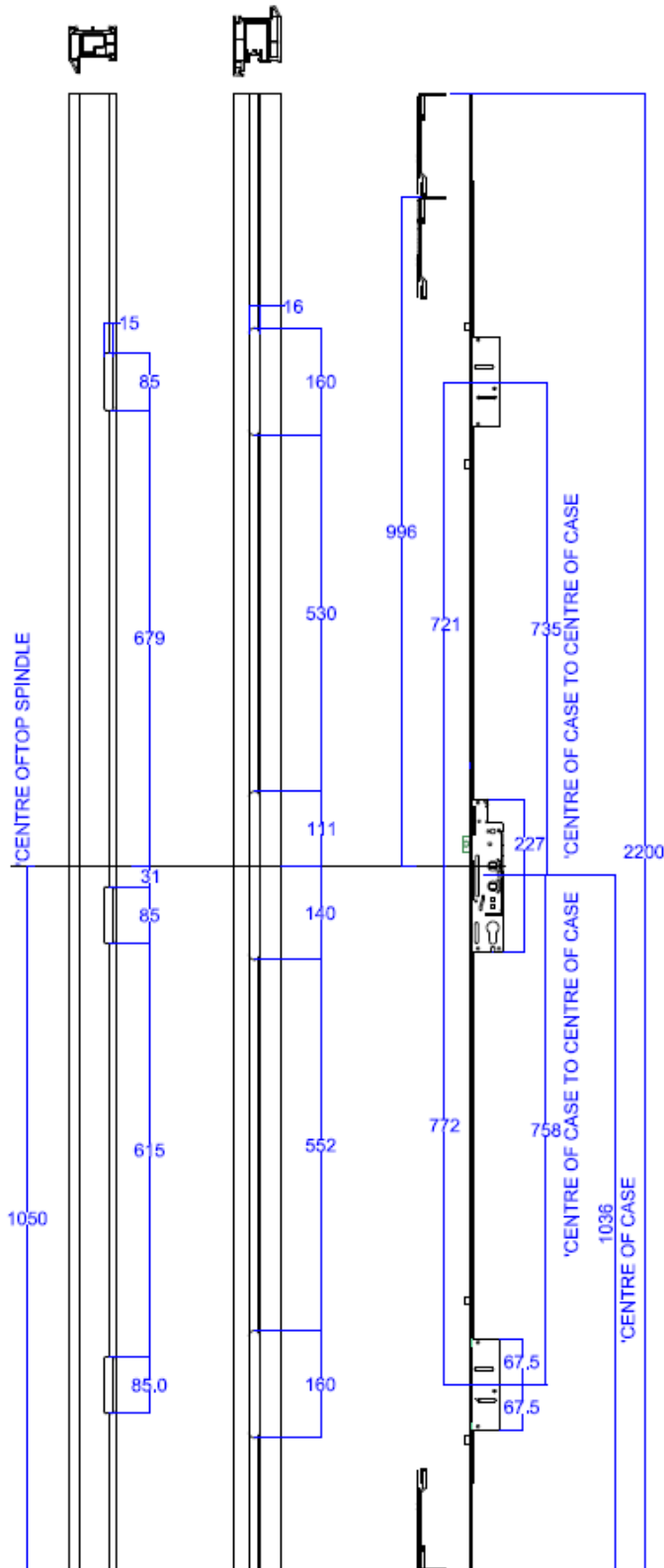


XL34R7474 Lock and Keep Preparation

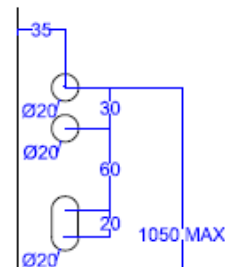


Compatible Keeps

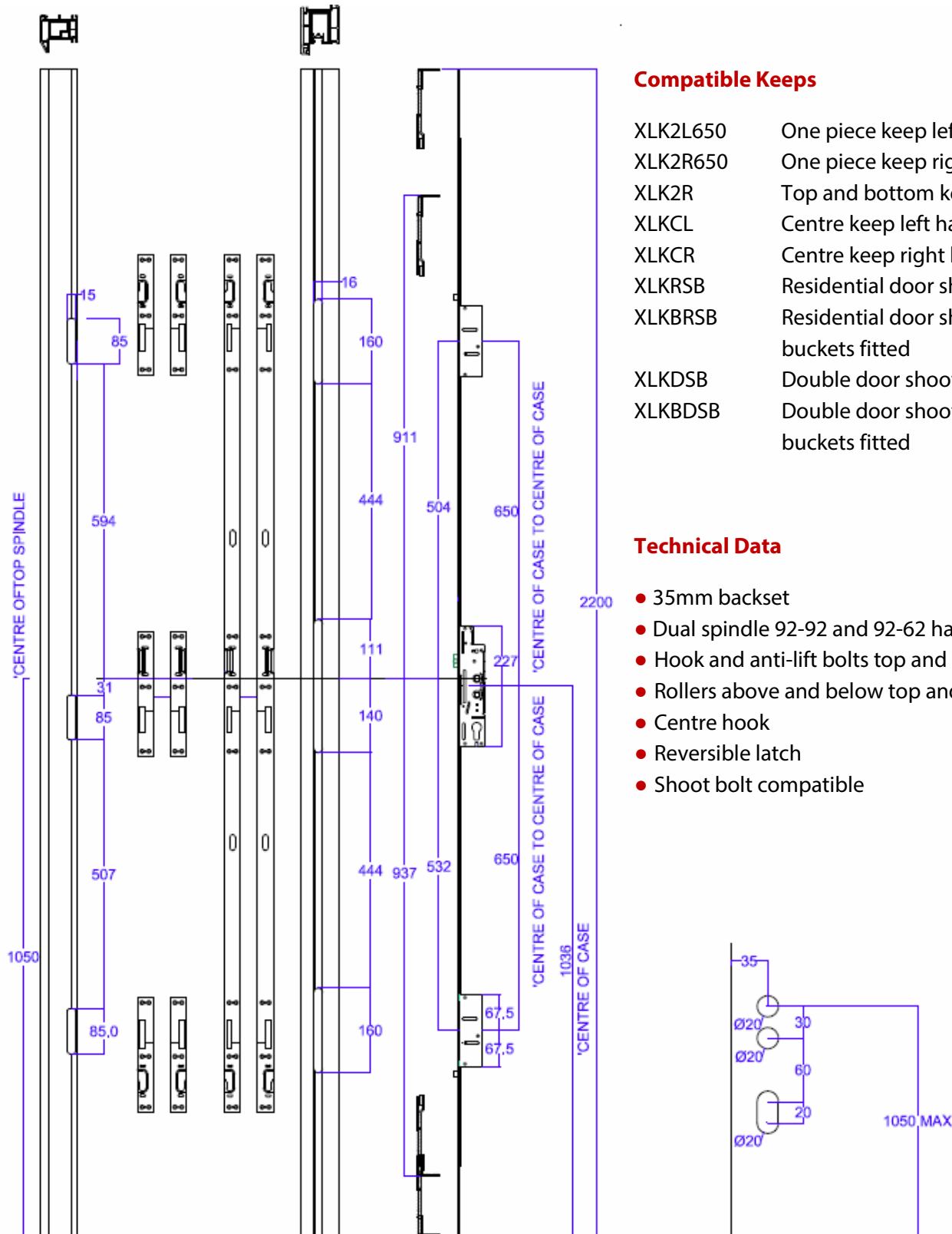
XLK4L7474	One piece keep left hand
XLK4R7474	One piece keep right hand
XLK4R	Top and bottom keep set
XLKCL	Centre keep left hand
XLKCR	Centre keep right hand
XLKRSB	Residential door shoot bolt keep
XLKBRSB	Residential door shoot bolt keep buckets fitted
XLKDSB	Double door shoot bolt keep
XLKBDSB	Double door shoot bolt keep buckets fitted

Technical Data

- 35mm backset
- Dual spindle 92-92 and 92-62 handle centres
- Hook and anti-lift bolts top and bottom
- Rollers above and below top and bottom hooks
- Centre hook
- Reversible latch
- Shoot bolt compatible



XL32R650 Lock and Keep Preparation



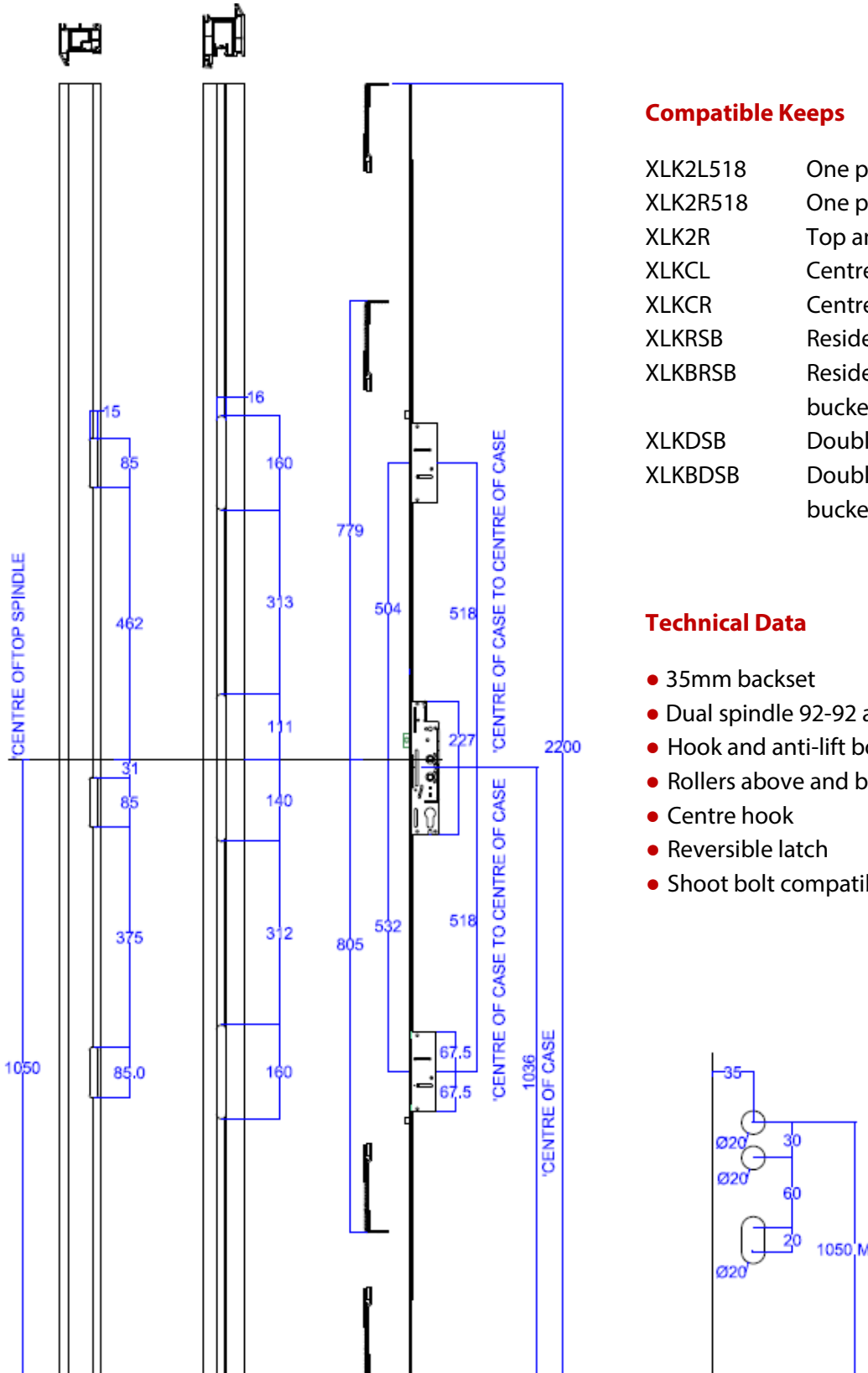
Compatible Keeps

XLK2L650	One piece keep left hand
XLK2R650	One piece keep right hand
XLK2R	Top and bottom keep set
XLKCL	Centre keep left hand
XLKCR	Centre keep right hand
XLKRSB	Residential door shoot bolt keep
XLKBRSB	Residential door shoot bolt keep buckets fitted
XLKDSB	Double door shoot bolt keep
XLKBDSB	Double door shoot bolt keep buckets fitted

Technical Data

- 35mm backset
- Dual spindle 92-92 and 92-62 handle centres
- Hook and anti-lift bolts top and bottom
- Rollers above and below top and bottom hooks
- Centre hook
- Reversible latch
- Shoot bolt compatible

XL32R518 Lock and Keep Preparation



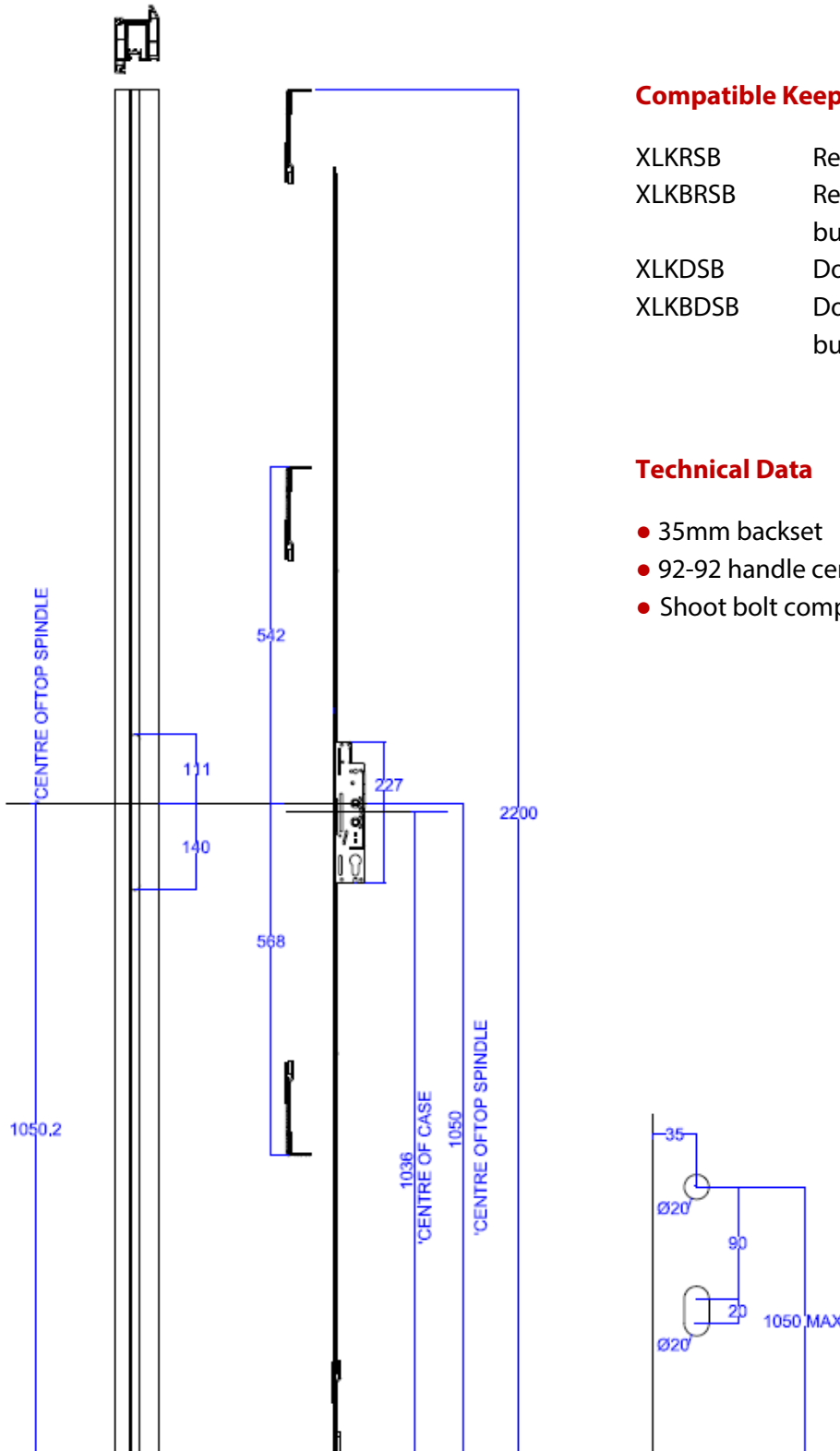
Compatible Keeps

XLK2L518	One piece keep left hand
XLK2R518	One piece keep right hand
XLK2R	Top and bottom keep set
XLKCL	Centre keep left hand
XLKCR	Centre keep right hand
XLKRSB	Residential door shoot bolt keep
XLKBRSB	Residential door shoot bolt keep buckets fitted
XLKDSB	Double door shoot bolt keep
XLKBDSB	Double door shoot bolt keep buckets fitted

Technical Data

- 35mm backset
- Dual spindle 92-92 and 92-62 handle centres
- Hook and anti-lift bolts top and bottom
- Rollers above and below top and bottom hooks
- Centre hook
- Reversible latch
- Shoot bolt compatible

XL SL Slave Door Lock and Keep Preparation



Compatible Keeps

XLKRSB	Residential door shoot bolt keep
XLKBRSB	Residential door shoot bolt keep buckets fitted
XLKDSB	Double door shoot bolt keep
XLKBDSB	Double door shoot bolt keep buckets fitted

Technical Data

- 35mm backset
- 92-92 handle centres
- Shoot bolt compatible

XL Lock Inline Lever Lock Operation

Operation

To Lock Door

- Lift handle to its full extent (Fig 1.)
- Turn key or thumb turn one revolution towards door frame (Fig 2.)
- The door is now locked.



Fig 1.

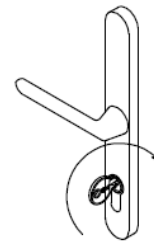


Fig 2.

To Unlock Door

From Outside

- Turn key one revolution away from door frame (Fig 3.)
- Push handle down (Fig 4.)

From Inside

- Turn key one revolution away from door frame (Fig 3.)
- Push handle down (Fig 4) and open door.

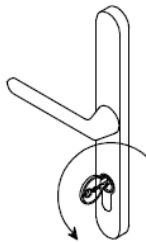


Fig 3.

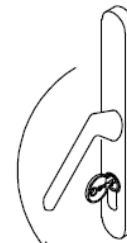


Fig 4.

XL Lock Offset Lever Lock Operation

Operation

To Lock Door

- Lift handle to its full extent (Fig 1.)
- Turn key or thumb turn one revolution towards door frame (Fig 2.)
- The door is now locked.

To Unlock Door

From Outside

- Turn key one revolution away from door frame (Fig 3.)
- Push handle down (Fig 4.)

From Inside

- Turn key one revolution away from door frame (Fig 3.)
- Push handle down (Fig 4) and open door.



Fig 1.

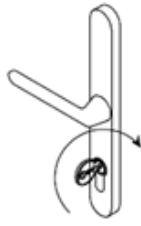


Fig 2.



Fig 3.



Fig 4.

Snib Operation

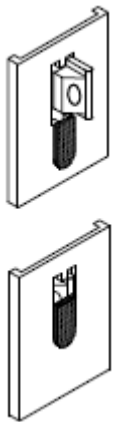
The snib function allows the latch to be held in the retracted position allowing the door to be closed without engaging the latch.

Please note – when the door is closed with the snib engaged, the door is not secure and should not be left unattended. This function allows entry through the door from the outside without the need to use a key and should only be used if you are able to monitor traffic through the door.

To Operate the Snib

Push latch in to its full extent. Push the plastic slide located below the latch up and release latch. The latch will now stay retracted until the snib is released.

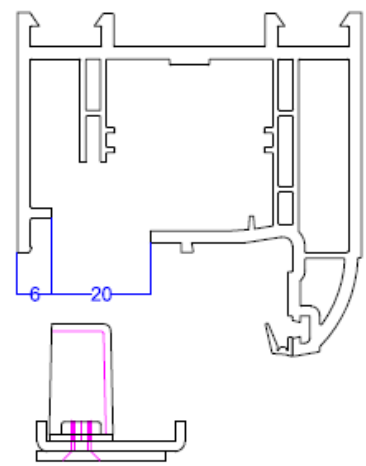
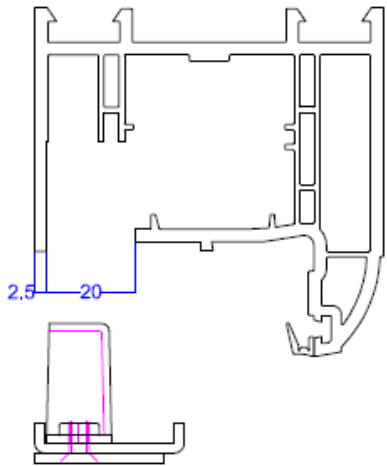
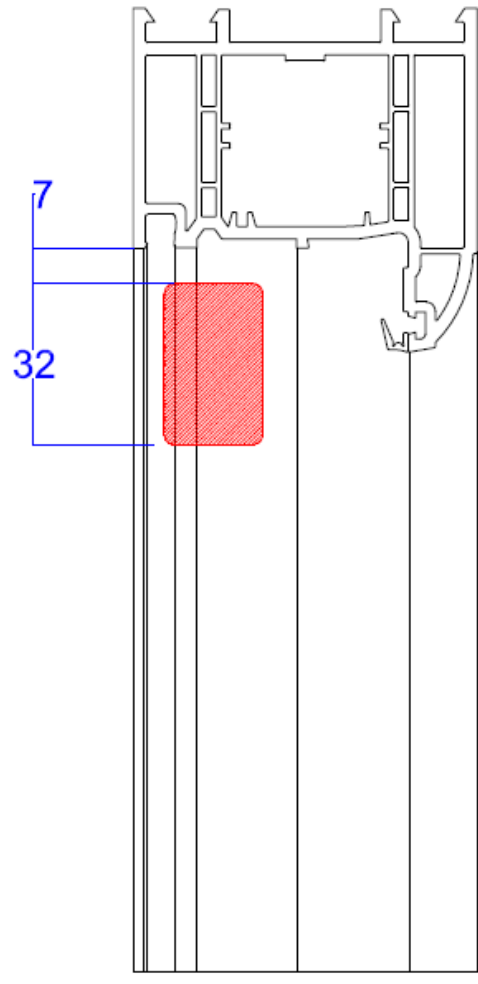
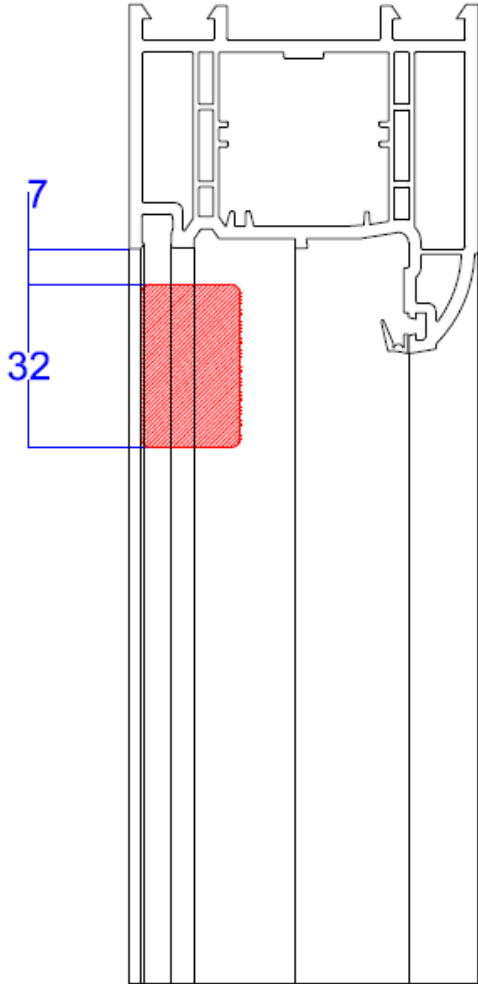
Push slide down to release latch.



XLKBRSB Keep Preparation

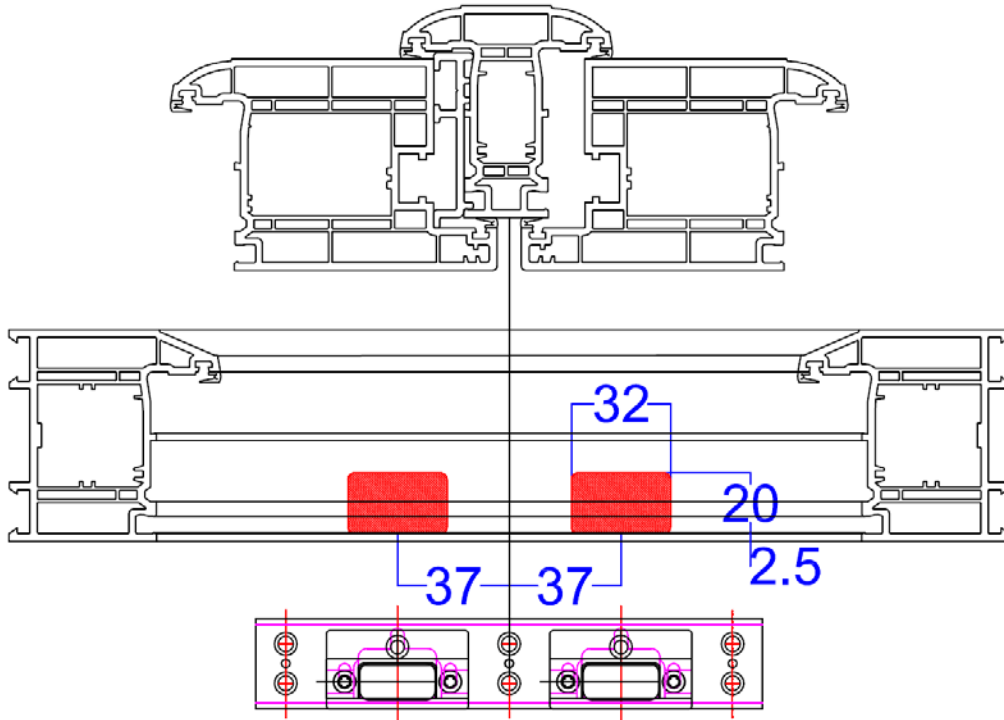
9mm Axis

13mm Axis

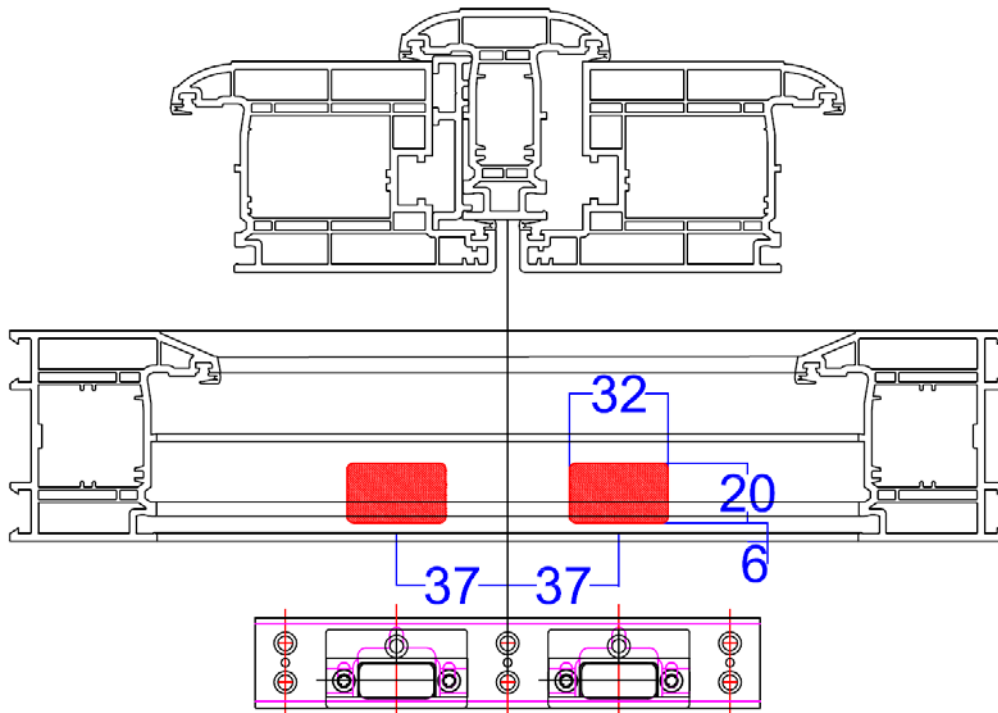


XLKDBSB Keep Preparation

9mm Axis



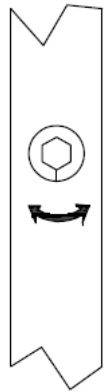
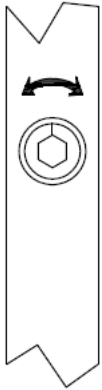
13mm Axis



TOP ROLLER

XL PVCu Lock and Keep Adjustment

BOTTOM ROLLER



To Adjust the Tightness of the Seals of the Door

Rotate the compression rollers using a 5mm AF allen key. Each roller has a setting line stamped into its face in the neutral position. This is set vertically and pointing up for the top rollers and down for the bottom rollers.

To increase the compression, rotate the roller towards the door seal by no more than 90 degrees. 90 degrees of rotation will increase the compression by 1.5mm. To decrease the compression, rotate the roller up to 90 degrees away from the door seal.

Keep Adjustment

A further plus and minus 3mm of compression can be achieved by adjusting the roller pockets on the keep.

Loosen the two screws 'A' and move the pocket into the keep to gain compression and forward of the keep to reduce the compression.

Lock and Keep Adjustment

There is a setting line located at each locking point on the lock and adjacent to each keep hook slot. When fitting the keep and installing the door these lines should be sighted through to ensure they align.



Double Door Frame Keep Adjustment

Once a double door has been installed, the frame keeps should be adjusted. This is achieved by releasing the retaining screws 'B' and adjusting the top plates to the correct position.

Once the correct position is achieved, two final fixing screws 'C' should be used to secure the plates.

