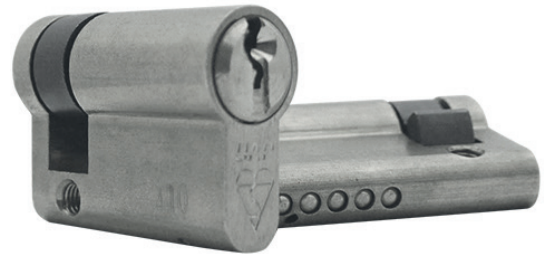




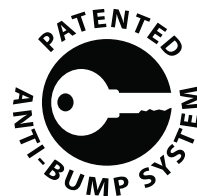
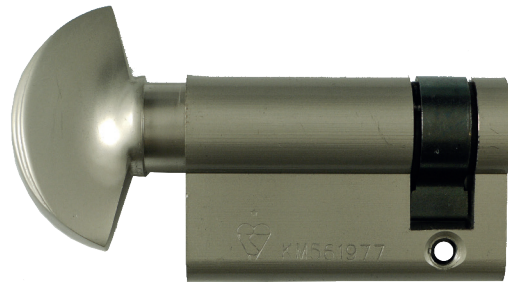
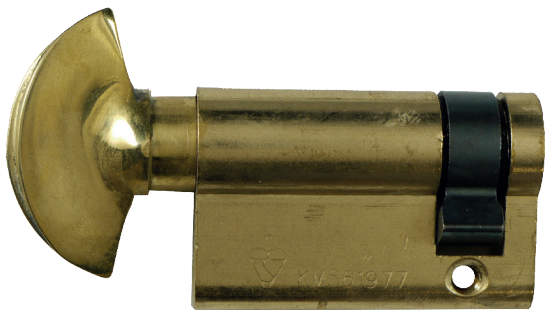
UAP Half Cylinders

Overall Size	Split (X-10-X)	Split (X/X)	Brass Code	Nickel Code
40mm	30-10	35/5	30/10BZL	-
45mm	35-10	35/5	35/10BZL	-
50mm	40-10	45/5	40/10BZL	40/10NZL



UAP Half Thumb Turn Cylinders

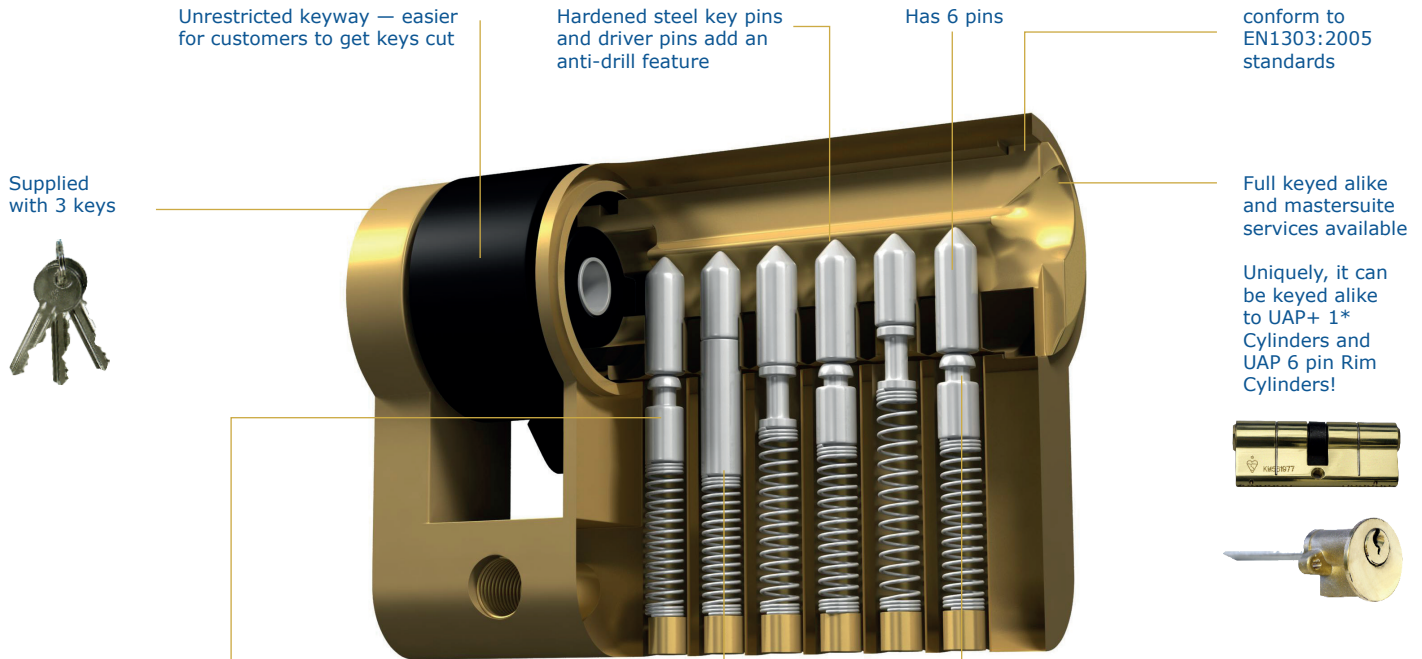
Overall Size	Split (X-10-X)	Split (X/X)	Brass Code	Nickel Code
50mm	40T-10	45T/5	40T/10BZL	40T/10NZL





UAP Half Cylinders

The UAP Standard Security Euro Half Cylinder is a great choice for inexpensive home security installation. The half cylinder is ideal for locks that need to be opened or locked from one side only. This includes garage door locks, patio door locks, stock room cupboard locks, broom cupboard locks, caretaker storage room locks etc.



ANTI BUMP

The cylinder has a unique and patented anti-bump system which does not use trap pins. This system makes the turning of the cylinder key extra smooth.

ANTI DRILL

7 x hardened steel anti-drill pins are in each side of the cylinder. Plus all moving pins are nickel plated hardened steel 50 HRC minimum.

ANTI PICK

Minimum of 3 anti-pick pins in each side of the cylinder makes it extremely difficult for a common burglar to pick the cylinder.

