

RACK BOLT SET

The UAP Rack Bolt Set can be installed anywhere on a door, but usually most prefer it either at the top or on the top side of the door. This makes it an ideal safety precaution if your customers have small children in the house and you want to protect them from leaving the home undetected.

The rack bolts have surpassed BS EN 12051 standards for durability, fire resistance and corrosion resistance, and can be fitted to any wooden or composite door. Installation consists of drilling three holes, one for the bolt hole, one for the key hole, and one for the bolt recess. Fitting the face plates and keyhole plate is fast and easy. Each Rack Bolt Set comes with a 2 year guarantee and ensures highest quality and longevity.

Consists of 2 rack bolts and 1 security star key

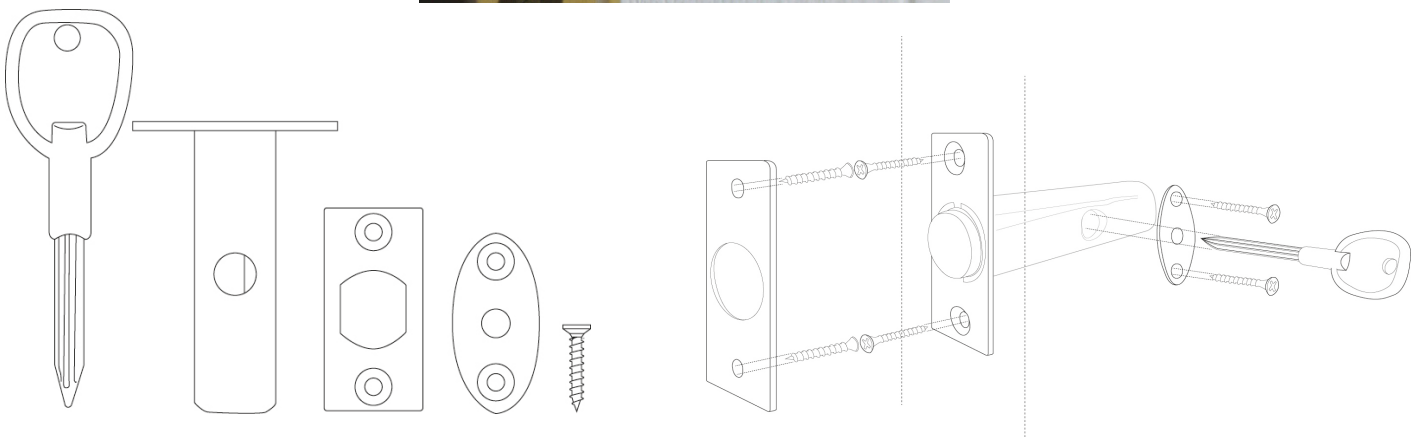
Supplied with a complete set of cover plates in polished brass, white and polished chrome

Surpasses 50,000 opening cycles

Can be fitted to any wooden or composite door

Tested to BS EN 12051 for durability, fire resistance and corrosion resistance

Up to a 2 year guarantee



Features Include:

- Consists of 2 rack bolts and 1 security star key
- Supplied with a complete set of cover plates in polished brass, white and polished chrome
- Surpasses 50,000 opening cycles
- Tested to BS EN 12051 for durability, fire resistance and corrosion resistance
- Can be fitted to any wooden or composite door
- Up to a 2 year guarantee

Finishes	Product Code
POLISHED BRASS	TLRB

