



Pull Handle Solutions



**Pull Handle Solutions**

# nanocoast®

## About Nanocoast

Nanocoast is a range of stainless steel hardware for exposed and extreme locations.

Manufactured in high grade stainless steel for superior corrosion resistance, our Nanocoast hardware range comes with an industry-leading lifetime guarantee. The products will not pit, rust or corrode regardless of the environment.

Each pull handle is made from 1.5mm thick stainless steel, and made it part of the UAP Nanocoast range.

There's 3 different fixing methods available – hidden fix, bolt through and back to back. Due to the fixing methods, customers also have the option of sending the door to the site without the pull handle on, this will prevent damage in transit or on site.

nanocoast®



**Lifetime  
Coating  
Guarantee**



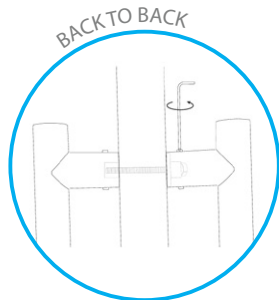
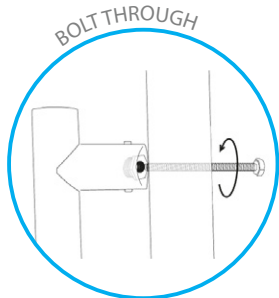
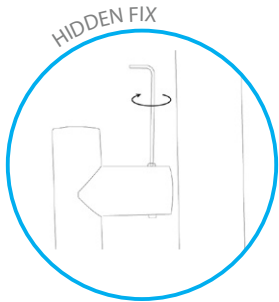


*Your complete hardware  
solutions partner.*

# STRAIGHT SLIM PULL HANDLES

The UAP Straight Slim Pull Handles uses a 32mm bar against a 32mm straight bar which create a more sleek and stylish product. The bolt through fixing gives a neater finish and as high grade stainless steel is used, the product will not rust and so there will be no leakage if it rains. Each straight pull handle comes with an Allen Key and 2 Allen Bolts on each of the up-stands. The bolts are all made from high grade stainless steel. All the pull handles have two fixing points with an individual plate on each.

- Made from 1.5Mm 316 grade stainless steel
- 32mm diameter for sturdier construction
- Salt spray tested to ASTM B117 for 2,000 hours
- Each handle comes with a LIFETIME coating guarantee!
- 3 fixing methods available – hidden fix, bolt through and back to back



Finish	Size	Material Construction	Coating Guarantee	Retail Pack
Satin Stainless	900mm	316 Grade Stainless Steel	LIFETIME	PH900S-SSS-SLIM
Satin Stainless	1200mm	316 Grade Stainless Steel	LIFETIME	PH1200S-SSS-SLIM
Satin Stainless	1500mm	316 Grade Stainless Steel	LIFETIME	PH1500S-SSS-SLIM
Satin Stainless	1800mm	316 Grade Stainless Steel	LIFETIME	PH1800S-SSS-SLIM

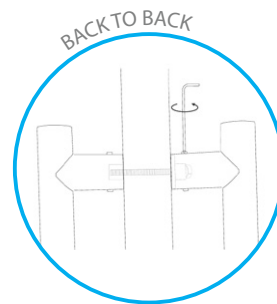
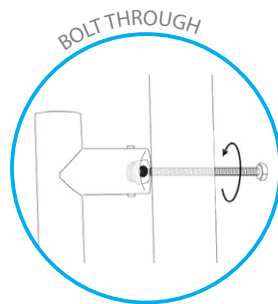
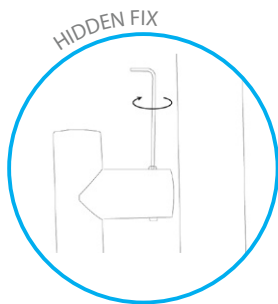
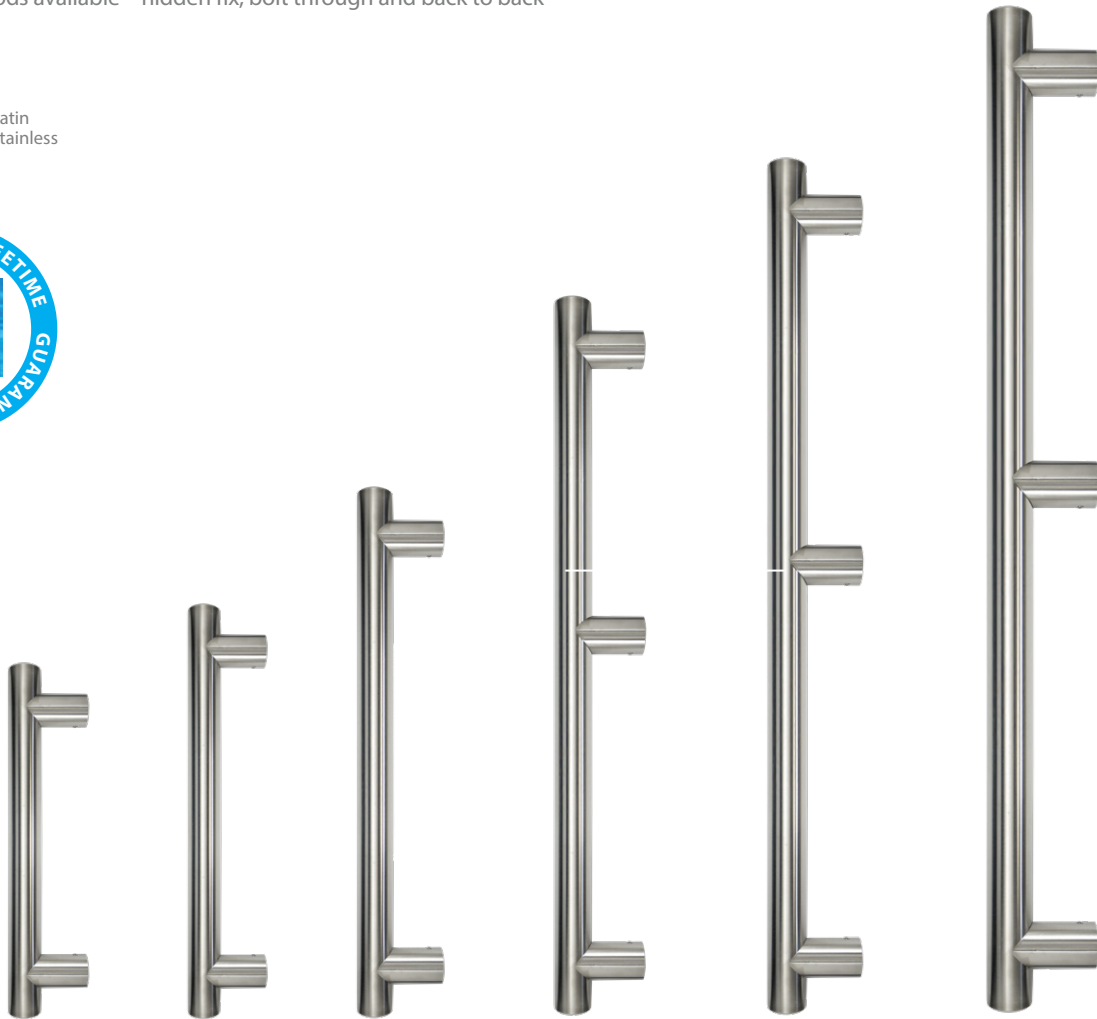
ALL FIXINGS ARE INCLUDED WITH OUR BAR PULL HANDLES

nanocoast®



# STRAIGHT PULL HANDLES

- 38mm diameter for sturdier construction
- Handle is made from high grade stainless steel
- Salt spray tested to ASTM B117 for 2,000 hours
- Each handle comes with a LIFETIME coating guarantee!
- 3 fixing methods available – hidden fix, bolt through and back to back



Size	Material Construction	Coating Guarantee	Satin Silver
400mm	316 Grade Stainless Steel	LIFETIME	PH400S-SSS-NANOCOAST
600mm	316 Grade Stainless Steel	LIFETIME	PH600S-SSS-NANOCOAST
900mm	316 Grade Stainless Steel	LIFETIME	PH900S-SSS-NANOCOAST
1200mm	316 Grade Stainless Steel	LIFETIME	PH1200S-SSS-NANOCOAST
1500mm	316 Grade Stainless Steel	LIFETIME	PH1500S-SSS-NANOCOAST
1800mm	316 Grade Stainless Steel	LIFETIME	PH1800S-SSS-NANOCOAST

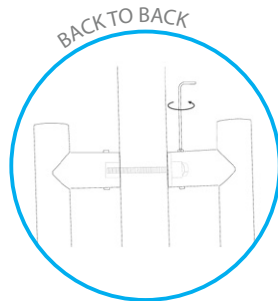
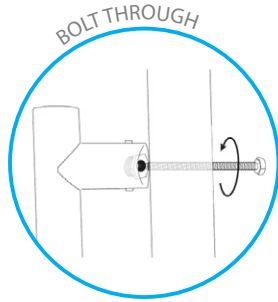
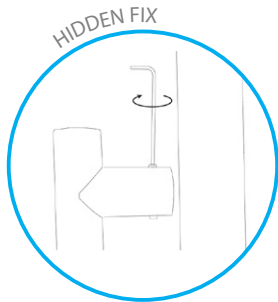
ALL FIXINGS ARE INCLUDED WITH OUR BAR PULL HANDLES



nanocoast®

# MIRROR POLISHED PULL HANDLES

- 38mm diameter for sturdier construction
- Handle is made from high grade stainless steel
- Salt spray tested to ASTM B117 for 2,000 hours
- Each handle comes with a LIFETIME coating guarantee!
- 3 fixing methods available – hidden fix, bolt through and back to back



Size	Material Construction	Coating Guarantee	Mirror Polished
400mm	316 Grade Stainless Steel	LIFETIME	-
600mm	316 Grade Stainless Steel	LIFETIME	-
900mm	316 Grade Stainless Steel	LIFETIME	PH900S-MPSS-NANOCOAST
1200mm	316 Grade Stainless Steel	LIFETIME	PH1200S-MPSS-NANOCOAST
1500mm	316 Grade Stainless Steel	LIFETIME	PH1500S-MPSS-NANOCOAST
1800mm	316 Grade Stainless Steel	LIFETIME	PH1800S-MPSS-NANOCOAST

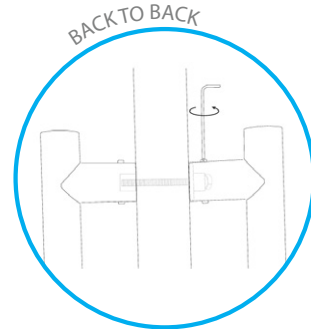
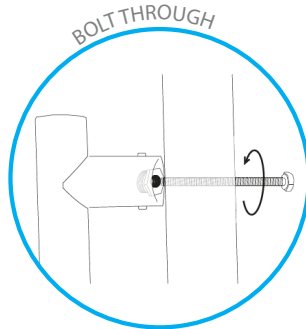
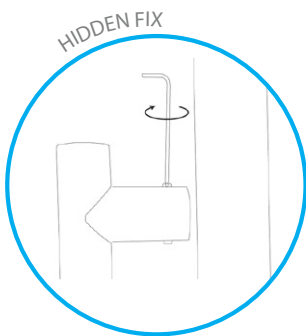
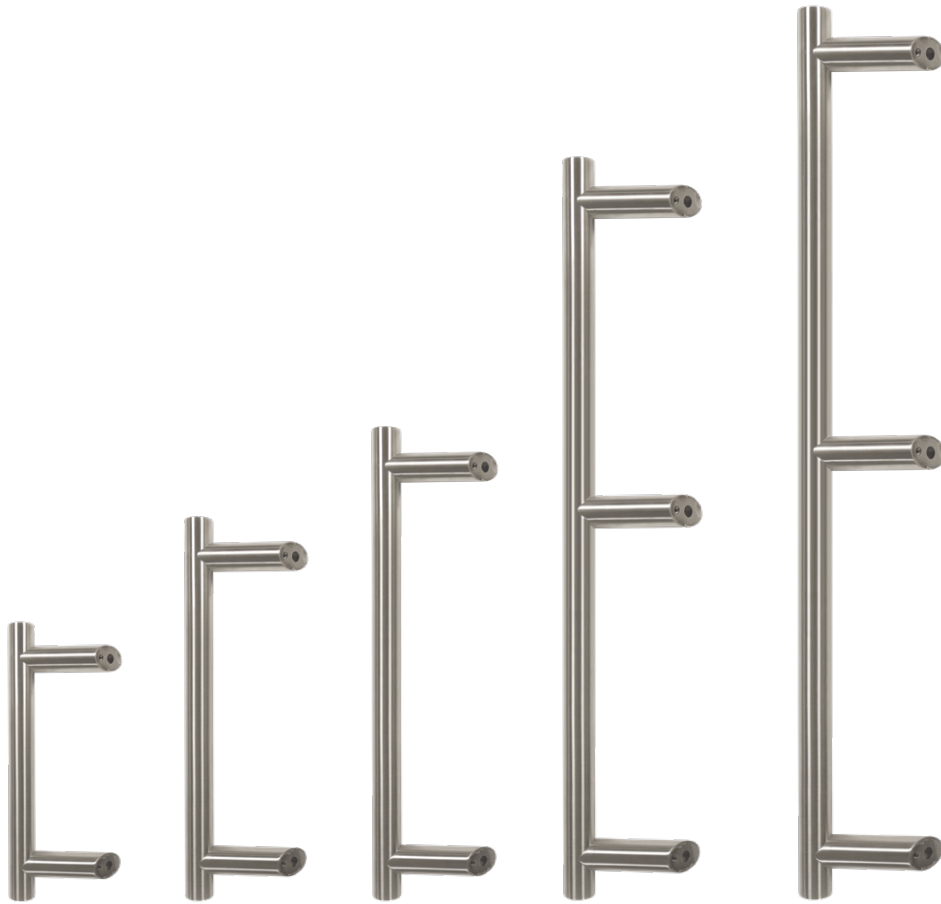
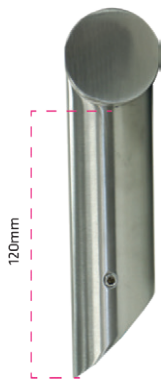




ALL FIXINGS ARE INCLUDED WITH OUR BAR PULL HANDLES

# OFFSET PULL HANDLES

- 38mm diameter for sturdier construction
- Handle is made from high grade stainless steel
- Salt spray tested to ASTM B117 for 2,000 hours
- Each handle comes with a LIFETIME coating guarantee!
- 3 fixing methods available – hidden fix, bolt through and back to back



Finish	Size	Material Construction	Coating Guarantee	Retail Pack
Satin Stainless	400mm	316 Grade Stainless Steel	LIFETIME	PH400OFF-SSS-NANOCOAST
Satin Stainless	600mm	316 Grade Stainless Steel	LIFETIME	PH600OFF-SSS-NANOCOAST
Satin Stainless	900mm	316 Grade Stainless Steel	LIFETIME	PH900OFF-SSS-NANOCOAST
Satin Stainless	1200mm	316 Grade Stainless Steel	LIFETIME	PH1200OFF-SSS-NANOCOAST
Satin Stainless	1500mm	316 Grade Stainless Steel	LIFETIME	PH1500OFF-SSS-NANOCOAST
Satin Stainless	1800mm	316 Grade Stainless Steel	LIFETIME	PH1800OFF-SSS-NANOCOAST

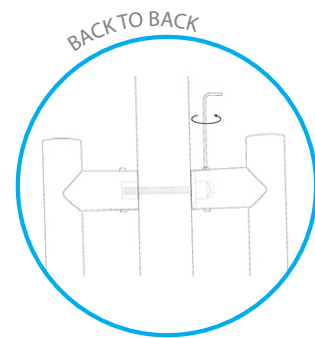
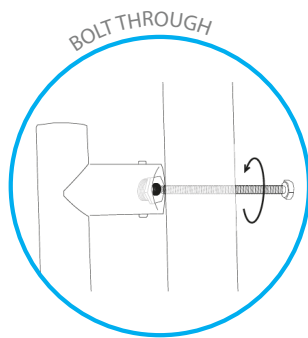
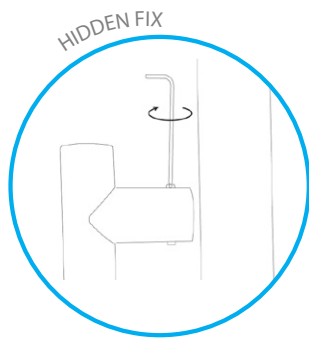
ALL FIXINGS ARE INCLUDED WITH OUR BAR PULL HANDLES



nanocoast®

# SQUARE PULL HANDLES

- 40mm x 20mm diameter for sturdier construction
- Handle is made from high grade stainless steel
- Salt spray tested to ASTM B117 for 2,000 hours
- Each handle comes with a LIFETIME coating guarantee!
- 3 fixing methods available – hidden fix, bolt through and back to back



Finish	Size	Material Construction	Coating Guarantee	Retail Pack
Satin Stainless	900mm	316 Grade Stainless Steel	LIFETIME	PH900SQUARE-SSS-NANOCOAST
Satin Stainless	1200mm	316 Grade Stainless Steel	LIFETIME	PH1200SQUARE-SSS-NANOCOAST
Satin Stainless	1500mm	316 Grade Stainless Steel	LIFETIME	PH1500SQUARE-SSS-NANOCOAST

ALL FIXINGS ARE INCLUDED WITH OUR BAR PULL HANDLES



# D-SHAPED PULL HANDLES

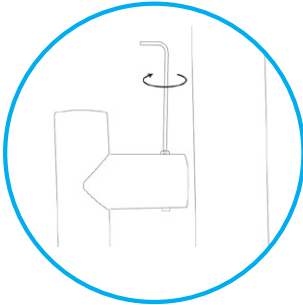
- 38mm diameter for sturdier construction
- Handle is made from 316 grade stainless steel
- Salt spray tested to ASTM B117 for 2,000 hours
- Each handle comes with a LIFETIME coating guarantee!
- 3 fixing methods available – hidden fix, bolt through and back to back



Size	Material Construction	Coating Guarantee	Standard Fix	Hidden Fix
300mm	316 Grade Stainless Steel	LIFETIME	PH300DSHAPE-SSS-NANOCOAST	PH300DSHAPE-SSS-HF-NANOCOAST

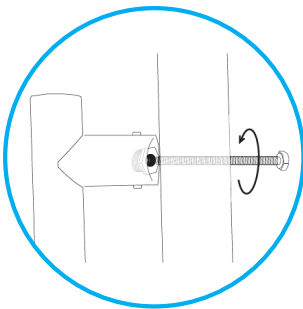
# FIXING METHODS

What makes the pull handle really stand out is the 3 different fixing methods available – hidden fix, bolt through and back to back fix. Due to the fixing methods, customers also have the option of sending the door to the site without the pull handle on, this will prevent damage in transit or on site. The door will simply be sent with the fixings on and the installation would be completed on site.



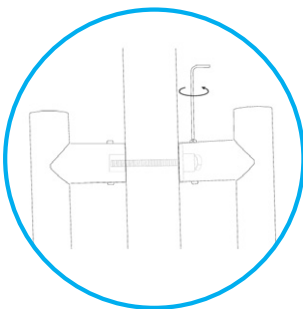
## Hidden Fixings

The pull handle comes with two fixing points each with an individual plate. These are fitted to wooden and timber doors using three screws. The pull handle then attaches to the plates and is secured with the Allen bolts. The internal fixings are not visible on the door!



## Bolt Through

The bolt through method uses a brass thread reducer; this is included in one of the two accessory kits. The brass thread reducer has a 1.5mm thread on the outside which will thread into the upstand. On the internal of the reducer is an N8, this is an 8mm bolt through which provides an ideal position for an internal bolt to fit through. The two Allen bolts give extra protection against vibrations that may take effect on a main road causing bolts to come undone. With the Allen bolts this will not happen!



## Back to back

We have developed a system which is incredibly easy to use and which will reduce fitting times to just seconds. Included in the second accessory kit are two plates which have holes all the way through. Once the plate is fitted on the inside of the door, the bolt can be pushed through the plate and screwed into the brass reducer. The internal pull handle would then be fitted using the hidden fix system. This offers an extremely strong back to back fixing method!



# HIGH SECURITY ESCUTCHEON

Reach TS 007:2012 3\* Standards when you combine with the Zero Lift 1\* Cylinder

Bevelled edge makes gripping more difficult to pull it off

Suitable for all composite doors

Contemporary design with a smooth finish

Tested to ISO 9227:2012(EN)

Part of the Nanocoast range – made from Stainless Steel

Tested to EN 1670:2007 Grade 3 High Corrosion Resistance

High tensile strength fixing bolts



PVD Gold



Mirror Polished



Satin Stainless

## High Security Escutcheon

Finish	Material Construction	Coating Guarantee	Trade Pack
Mirror Polished	Stainless Steel	LIFETIME	HSEMPSS-NANOCOAST
PVD Gold	Stainless Steel	LIFETIME	HSEPVDG-NANOCOAST
Satin Stainless	Stainless Steel	LIFETIME	HSESSS-NANOCOAST



# STANDARD ESCUTCHEON

## Standard Escutcheon

Finish	Material Construction	Coating Guarantee	Trade Pack
Satin Stainless	Stainless Steel	LIFETIME	HSESSS-NANOCOAST







# HIGH SECURITY PULL ESCUTCHEON

## High Security Pull Escutcheon



Finish	Material Construction	Coating Guarantee	Trade Pack
Mirror Polished	Stainless Steel	LIFETIME	HSEMPSS-PULL-NANOCOAST
Satin Stainless	Stainless Steel	LIFETIME	HSESSS-PULL-NANOCOAST



## Internal High Security Pull Escutcheon



Finish	Material Construction	Coating Guarantee	Trade Pack
Mirror Polished	Stainless Steel	LIFETIME	HSESSS-PULL-INTERNAL
Satin Stainless	Stainless Steel	LIFETIME	HSEMPSS-PULL-INTERNAL





## 1\* Cylinder Solution

The escutcheons are ideal to be combined with the ZeroLift 1\* Kitemarked high security cylinder. Combining the Nanocoast high security escutcheon with the ZeroLift 1\* cylinders will give you a professional security solution.

We have also developed a specially sized 30/35 (65mm) cylinder which is the perfect size cylinder to use with the Nanocoast high security escutcheons!

Created in accordance with the British Standards Kitemark, and also awarded the "Secured by Design" approval by the Association of Police Officers, the high quality 6 pin double Kitemarked euro cylinder can be fitted to any door in order to ward off criminals that attempt to use the most popular break-in methods.

**UAP**  
LIMITED

**Brands**

**fullex**  
POWERED BY  
**UAP**

**DOORMASTER**  
POWERED BY  
**UAP**

**nanocoast**  
POWERED BY  
**UAP**

**Salamander**  
POWERED BY  
**UAP**

[www.uapcorporate.com](http://www.uapcorporate.com)  
[sales@uapcorporate.com](mailto:sales@uapcorporate.com)  
0161 796 7268

UAP Limited  
Unit 1 Albert Close Trading Estate  
Whitefield  
Manchester  
M45 8EH  
England, UK