

STANDARD DOOR HANDLE

The UAP standard security front door handle is available in a 219mm short backplate and a 243mm long backplate, and is aimed at the fabricator who wants to offer a high quality designed front door handle. Each front door handle is made from high grade stainless steel, and is part of the UAP Nanocoast range. The UAP Nanocoast range of products are specifically designed for areas which are within a 25 mile radius of the coast, or within 5 miles of highly populated industrial areas. Each front door handle has been salt spray tested to ASTM B117 for 2,000 hours, and comes with an industry first LIFETIME coating guarantee, as the products will not pit, rust or corrode no matter what environments you put them in!

The standard front door handle has a tube shaped handle, which gives a very comfortable grip when operating. As the UAP standard front door handle is not BSI Kitemarked, we recommend to fit the UAP Kinetica 3* Kitemarked Euro Cylinder with the front door handle in order to achieve a 3 star Kitemark status for PAS24 doors.

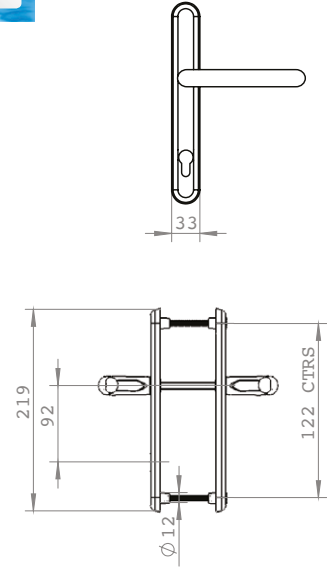


Features Include:

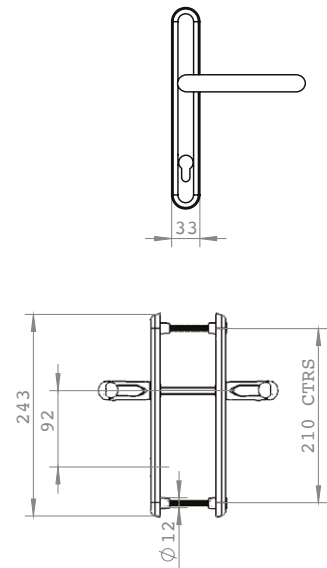
- High quality designed handle
- 30 minutes fire rated
- Has a 219mm or 243mm backplate
- Tube handle gives a very comfortable grip when operating
- Handles are made from high grade stainless steel
- Salt spray tested to ASTM B117 for 2,000 hours
- Each handle comes with a LIFETIME coating guarantee!



219mm Backplate



243mm Backplate



STANDARD DOOR HANDLE

Finish	219mm Backplate	243mm Backplate	Material Construction	Coating Guarantee
PVD Gold	DH219PVDG-NANOCOAST	DH243PVDG-NANOCOAST	Stainless Steel	LIFETIME
Mirror Polished	DH219MPSS-NANOCOAST	-	Stainless Steel	LIFETIME
Satin Stainless	DH219SSS-NANOCOAST	DH243SSS-NANOCOAST	Stainless Steel	LIFETIME