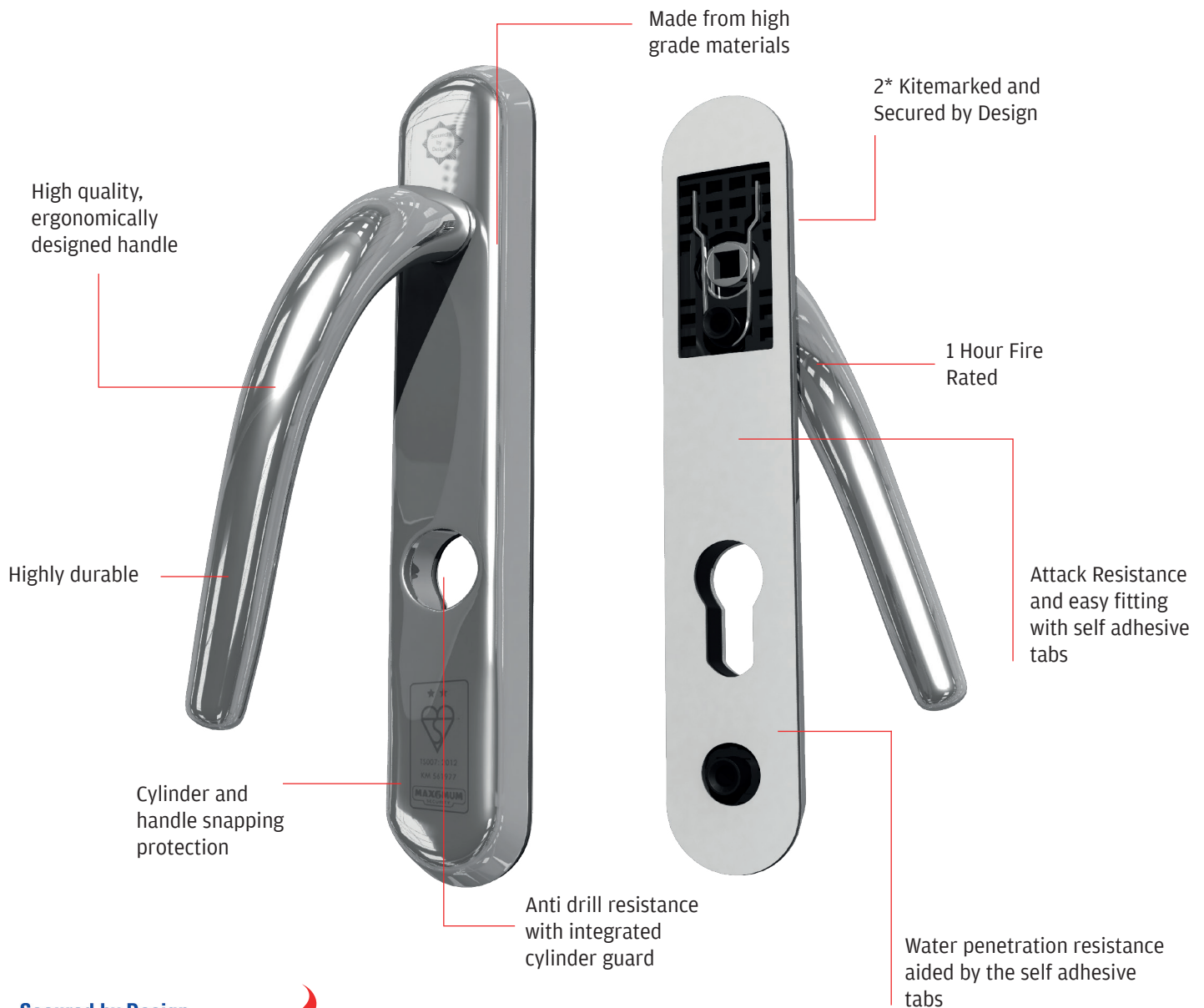


HIGH SECURITY DOOR HANDLE

The UAP 2* star high security front door handle has a 219mm or 243mm short backplate, and is aimed at the fabricator who wants to offer a high quality, ergonomically shaped and designed door handle range but who doesn't want to get involved in fitting a cylinder guard. This fit and forget handle is packed with state of the art features, and can be used by the professional installer offering a security upgrade service. Each high security door handle has been tested to BSI 2* Kitemarked standards, and has also been awarded 'Secured by Design' by the Association of Police Officers.



Secured by Design



Official Police Security Initiative



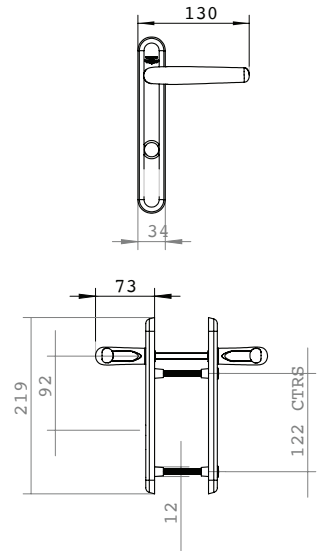
Fire Rated

HIGH SECURITY DOOR HANDLE



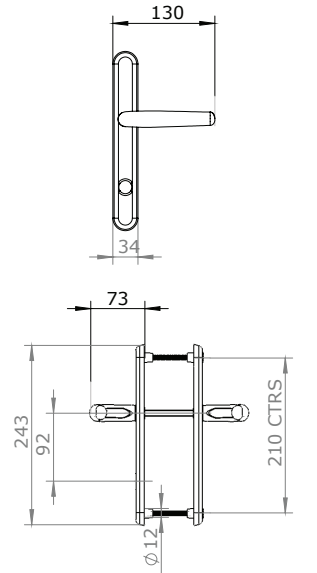
219mm backplate

Finishes	Trade Pack	Material	Coating Guarantee
Gold Anodised	HSH219GA	Aluminium	10 Years Colour Fast
Silver Anodised	HSH219SA	Aluminium	10 Years Colour Fast
Black Powder Coat	HSH219BL	Aluminium	10 Years Colour Fast
White Powder Coat	HSH219WH	Aluminium	10 Years Colour Fast
PVD Gold	HSH219PVDG-NANOCOAST	Stainless Steel	LIFETIME
Mirror Polished	HSH219MPSS-NANOCOAST	Stainless Steel	LIFETIME
Satin Stainless	HSH219SSS-NANOCOAST	Stainless Steel	LIFETIME



243mm backplate

Finishes	Trade Pack	Material	Coating Guarantee
Gold Anodised	HSH243GA	Aluminium	10 Years Colour Fast
Silver Anodised	HSH243SA	Aluminium	10 Years Colour Fast
Black Powder Coat	HSH243BL	Aluminium	10 Years Colour Fast
White Powder Coat	HSH243WH	Aluminium	10 Years Colour Fast
PVD Gold	HSH243PVDG-NANOCOAST	Stainless Steel	LIFETIME
Mirror Polished	HSH243MPSS-NANOCOAST	Stainless Steel	LIFETIME
Satin Stainless	HSH243SSS-NANOCOAST	Stainless Steel	LIFETIME



Fire Rated

