



## UAP+ Double Cylinders

Overall Size	Split (X-10-X)	Split (X/X)	Brass Code	Nickel Code	Black Code	Chrome Code	Flint Code
60mm	25-10-25	30/30	ZL25/25BAS	ZL25/25NAS	ZL25/25BLACK	-	-
65mm	25-10-30	30/35	-	-	ZL25/30BLACK	-	-
70mm	25-10-35	30/40	ZL25/35BAS	ZL25/35NAS	-	-	-
70mm	30-10-30	35/35	ZL30/30BAS	ZL30/30NAS	ZL30/30BLACK	ZL30/30CAS	ZL30/30FAS
75mm	25-10-40	30/45	ZL25/40BAS	ZL25/40NAS	-	-	-
80mm	25-10-45	30/50	ZL25/45BAS	ZL25/45NAS	-	-	-
80mm	30-10-40	35/45	ZL30/40BAS	ZL30/40NAS	ZL30/40BLACK	-	-
80mm	35-10-35	40/40	ZL35/35BAS	ZL35/35NAS	ZL35/35BLACK	ZL35/35CAS	ZL35/35FAS
85mm	30-10-45	35/50	ZL30/45BAS	ZL30/45NAS	-	-	-
85mm	35-10-40	40/45	ZL35/40BAS	ZL35/40NAS	-	-	-
90mm	30-10-50	35/55	ZL30/50BAS	ZL30/50NAS	-	-	-
90mm	40-10-40	45/45	ZL40/40BAS	ZL40/40NAS	-	-	-
90mm	35-10-45	40/50	ZL35/45BAS	ZL35/45NAS	-	-	-
95mm	35-10-50	40/55	ZL35/50BAS	ZL35/50NAS	-	-	-
95mm	40-10-45	45/50	ZL40/45BAS	ZL40/45NAS	-	-	-
100mm	35-10-55	40/60	ZL35/55BAS	ZL35/55NAS	-	-	-
100mm	40-10-50	45/55	ZL40/50BAS	ZL40/50NAS	-	-	-
100mm	45-10-45	50/50	ZL45/45BAS	ZL45/45NAS	-	-	-
100mm	25-10-65	30/70	-	ZL25/65NAS	-	-	-
105mm	45-10-50	50/55	ZL45/50BAS	ZL45/50NAS	-	-	-
110mm	40-10-60	45/65	ZL40/60BAS	ZL40/60NAS	-	-	-
110mm	45-10-55	50/60	ZL45/55BAS	ZL45/55NAS	-	-	-

## Stocked Keyed Alike Cylinders

We have a range of cylinders that we stock in keyed alike in pairs on the shelf. Each pair are the same size and finish, and have been keyed alike together to work with the same key.

Overall Size	Split (X-10-X)	Split (X/X)	Brass Code	Nickel Code
60mm	25-10-25	30/30	-	ZL25/25NASKAP
70mm	30-10-30	35/35	ZL30/30BASKAP	ZL30/30NASKAP
80mm	30-10-40	35/45	ZL30/40BASKAP	ZL30/40NASKAP
80mm	35-10-35	40/40	ZL35/35BASKAP	ZL35/35NASKAP
85mm	35-10-40	40/45	ZL35/40BASKAP	ZL35/40NASKAP
90mm	30-10-50	35/55	ZL30/50BASKAP	ZL30/50NASKAP
90mm	35-10-45	40/50	ZL35/45BASKAP	ZL35/45NASKAP
90mm	40-10-40	45/45	ZL40/40BASKAP	ZL40/40NASKAP
95mm	35-10-50	40/55	ZL35/50BASKAP	ZL35/50NASKAP
95mm	40-10-45	45/50	ZL40/45BASKAP	ZL40/45NASKAP
100mm	35-10-55	40/60	ZL35/55BASKAP	ZL35/55NASKAP
100mm	40-10-50	45/55	ZL40/50BASKAP	ZL40/50NASKAP
100mm	45-10-45	50/50	ZL45/45BASKAP	ZL45/45NASKAP



Brass



Nickel



Black



Chrome



Flint

## Restricted Keyway Available

You have the option to have a restricted keyway on the cylinder. This comes with a square key, and makes the cylinder more secure as the blank is only available from selected companies.

Plug Size	Brass Code	Nickel Code
30mm	ZL30-RESTRICTEDPLUG-BRASS	ZL30-RESTRICTEDPLUG-NICKEL
35mm	ZL35-RESTRICTEDPLUG-BRASS	ZL35-RESTRICTEDPLUG-NICKEL
40mm	ZL40-RESTRICTEDPLUG-BRASS	ZL40-RESTRICTEDPLUG-NICKEL
45mm	ZL45-RESTRICTEDPLUG-BRASS	ZL45-RESTRICTEDPLUG-NICKEL

### The Next Generation of Super Smooth Cylinders

UAP have developed a large range of 1\* Kitemarked anti-snap euro cylinders which conform to EN1303:2005 standards. The cylinder has been re-engineered from our original Zerolift cylinders, and not only does it combine all the original Zerolift features, but the Zerolift Advance cylinders are also packed with even more functions:

Supplied with 3 keys



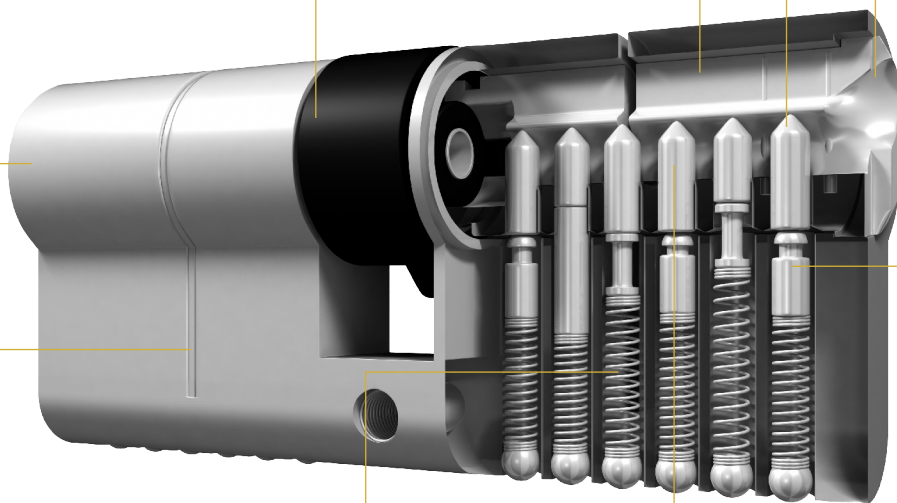
Over 800,000 different key combinations!

Unrestricted keyway — easier for customers to get keys cut

Has 6 pins

Full keyed alike and mastersuite services available

Uniquely, it can be keyed alike to Kinetica 3\* Cylinders and UAP 6 pin Rim Cylinders!



#### SACRIFICIAL CUT

The cylinder has a sacrificial cut on the each side, so when force is applied to either end, the cylinder will break away to the sacrificial cut line only, leaving the remaining cylinder operational and the locking mechanism intact.



#### ANTI BUMP

The cylinder has a unique and patented anti-bump system which does not use trap pins. This system makes the turning of the cylinder key extra smooth.



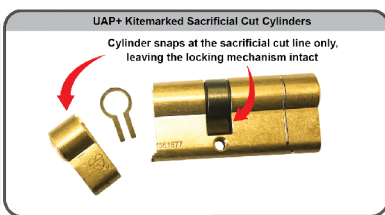
#### ANTI DRILL

7 x hardened steel anti-drill pins are in each side of the cylinder. Plus all moving pins are nickel plated hardened steel 50 HRC minimum.



#### ANTI PICK

Minimum of 3 anti-pick pins in each side of the cylinder makes it extremely difficult for a common burglar to pick the cylinder.



#### 3 Star Solution



The UAP+ 1\* cylinders can be combined with one of the options below to achieve a professionally looking 3\* solution for PAS24 doors:



2\* Kitemarked Security Handle



2\* Kitemarked Cylinder Guard



2\* Kitemarked Escutcheon



#### Part of the UAP Cylinder £5,000 Guarantee Scheme

The UAP cylinder guarantee scheme gives you and your customers the guarantee that if they get broken in to when a UAP+ cylinder is installed with either a 2\* handle, a 2\* escutcheon or a 2\* cylinder guard, and your customer's insurance company will not pay out, UAP will pay up to £5,000 to cover the costs of the stolen goods!

The cylinder comes with a key fob which includes a serial number. Customers can register the cylinder on our website to activate their guarantee. What's more, customers will also have access to 'My Keys.' This allows the customer to keep a record of their key number and an image, so if they ever lost all of their keys, they can log in to the website and simply take the key number and image to a key cutter to get cut. This will save them the expense of having to replace their cylinder!