

Thumb Turn Cylinders

Thumb turn on 'T' side of the code

Overall Size	Split (X-10-X)	Split (X/X)	Brass Code	Nickel Code	Black Code	Chrome Code	Flint Code
60mm	25T-10-25	30T/30	ZL25T/25BAS	ZL25T/25NAS	ZL25T/25BLACK	-	-
65mm	25-10-30T	30/35T	-	-	ZL25/30TBLACK	-	-
65mm	25T-10-30	30T/35	-	-	ZL25T/30BLACK	-	-
70mm	30T-10-30	35T/35	ZL30T/30BAS	ZL30T/30NAS	ZL30T/30BLACK	ZL30T/30CAS	ZL30T/30FAS
80mm	30-10-40T	35/45T	ZL30/40TBAS	ZL30/40TNAS	-	-	-
80mm	30T-10-40	35T/45	ZL30T/40BAS	ZL30T/40NAS	-	-	-
80mm	35T-10-35	40T/40	ZL35T/35BAS	ZL35T/35NAS	ZL35T/35BLACK	ZL35T/35CAS	ZL35T/35FAS
85mm	30T-10-45	35T/50	ZL30T/45BAS	ZL30T/45NAS	-	-	-
85mm	35T-10-40	40T/45	ZL35T/40BAS	ZL35T/40NAS	-	-	-
90mm	30-10-50T	35/55T	ZL30/50TBAS	ZL30/50TNAS	-	-	-
90mm	30T-10-50	35T/55	ZL30T/50BAS	ZL30T/50NAS	-	-	-
90mm	40T-10-40	45T/45	ZL40T/40BAS	ZL40T/40NAS	-	-	-
90mm	35-10-45T	40/50T	ZL35/45TBAS	ZL35/45TNAS	-	-	-
90mm	35T-10-45	40T/50	ZL35T/45BAS	ZL35T/45NAS	-	-	-
95mm	35-10-50T	40/55T	ZL35/50TBAS	ZL35/50TNAS	-	-	-
95mm	35T-10-50	40T/55	ZL35T/50BAS	ZL35T/50NAS	-	-	-
95mm	40T-10-45	45T/50	ZL40T/45BAS	ZL40T/45NAS	-	-	-
100mm	40T-10-50	45T/55	ZL40T/50BAS	ZL40T/50NAS	-	-	-
100mm	40-10-50T	45/55T	ZL40/50TBAS	ZL40/50TNAS	-	-	-
100mm	45T-10-45	50T/50	ZL45T/45BAS	ZL45T/45NAS	-	-	-
100mm	25-10-65T	30/70T	-	ZL25/65TNAS	-	-	-
100mm	25T-10-65	30T/70	-	ZL25T/65NAS	-	-	-
105mm	45-10-50T	50/55T	ZL45/50TBAS	ZL45/50TNAS	-	-	-
105mm	45T-10-50	50T/55	ZL45T/50BAS	ZL45T/50NAS	-	-	-
110mm	45-10-55T	50/60T	ZL45/55TBAS	ZL45/55TNAS	-	-	-
110mm	45T-10-55	50T/60	ZL45T/55BAS	ZL45T/55NAS	-	-	-

Stocked Keyed Alike Cylinders

We have a range of cylinders that we stock in keyed alike in pairs on the shelf. Each pair are the same size and finish, and have been keyed alike together to work with the same key.

Overall Size	Split (X-10-X)	Split (X/X)	Brass Code	Nickel Code
70mm	30T-10-30	35T/35	ZL30T/30BASKAP	ZL30T/30NASKAP
80mm	30-10-40T	35/45T	-	ZL30/40TNASKAP
80mm	30T-10-40	35T/45	-	ZL30T/40NASKAP
80mm	35T-10-35	40T/40	ZL35T/35BASKAP	ZL35T/35NASKAP
90mm	35-10-45T	40/50T	-	ZL35/45TNASKAP
90mm	35T-10-45	40T/50	ZL35T/45BASKAP	ZL35T/45NASKAP
95mm	40T-10-45	45T/50	ZL40T/45BASKAP	ZL40T/45NASKAP
100mm	25-10-65T	30/70T	-	ZL25/65TNASKAP
100mm	40-10-50T	45/55T	ZL40/50TBASKAP	ZL40/50TNASKAP
100mm	40T-10-50	45T/55	ZL40T/50BASKAP	ZL40T/50NASKAP
100mm	45T-10-45	50T/50	ZL45T/45BASKAP	ZL45T/45NASKAP
105mm	45-10-50T	50/55T	ZL45/50TBASKAP	ZL45/50TNASKAP
105mm	45T-10-50	50T/55	ZL45T/50BASKAP	ZL45T/50NASKAP



Restricted Keyway Available

You have the option to have a restricted keyway on the cylinder. This comes with a square key, and makes the cylinder more secure as the blank is only available from selected companies.

Plug Size	Brass Code	Nickel Code
30mm	ZL30-RESTRICTEDPLUG-BRASS	ZL30-RESTRICTEDPLUG-NICKEL
35mm	ZL35-RESTRICTEDPLUG-BRASS	ZL35-RESTRICTEDPLUG-NICKEL
40mm	ZL40-RESTRICTEDPLUG-BRASS	ZL40-RESTRICTEDPLUG-NICKEL
45mm	ZL45-RESTRICTEDPLUG-BRASS	ZL45-RESTRICTEDPLUG-NICKEL

The Next Generation of Super Smooth Cylinders

UAP have developed a large range of 1* Kitemarked anti-snap euro cylinders which conform to TS007:2014+A1:2015+A2:2018+CORR:2018 standards. The cylinder has been re-engineered from our original Zerolift cylinders, and not only does it combine all the original Zerolift features, but the Zerolift Advance cylinders are also packed with even more functions:

Supplied with 3 keys



Over 800,000 different key combinations!

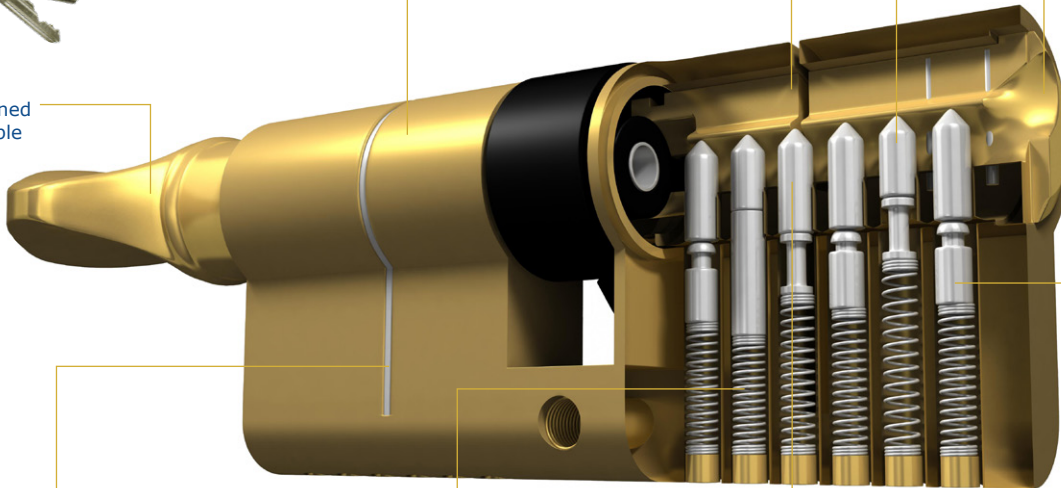
Unrestricted keyway — easier for customers to get keys cut

Has 6 pins

Full keyed alike and mastersuite services available

Special 'D' shaped thumb turn – designed for the elderly, people with arthritis and limited hand movement

Uniquely, it can be keyed alike to Kinetica 3* Cylinders and UAP 6 pin Rim Cylinders!



SACRIFICIAL CUT

The cylinder has a sacrificial cut on the each side, so when force is applied to either end, the cylinder will break away to the sacrificial cut line only, leaving the remaining cylinder operational and the locking mechanism intact.

ANTI BUMP

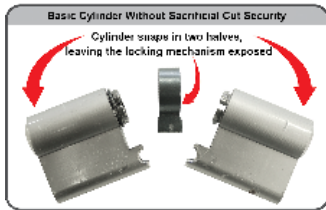
The cylinder has a unique and patented anti-bump system which does not use trap pins. This system makes the turning of the cylinder key extra smooth.

ANTI DRILL

7 x hardened steel anti-drill pins are in each side of the cylinder. Plus all moving pins are nickel plated hardened steel 50 HRC minimum.

ANTI PICK

Minimum of 3 anti-pick pins in each side of the cylinder makes it extremely difficult for a common burglar to pick the cylinder.



3 Star Solution

The UAP+ 1* cylinders can be combined with one of the options below to achieve a professionally looking 3* solution:



2* Kitemarked Security Handle



2* Kitemarked Escutcheon

Part of the UAP Cylinder £5,000 Guarantee Scheme

The UAP cylinder guarantee scheme gives you and your customers the guarantee that if they get broken in to when a UAP+ cylinder is installed with either a 2* handle, a 2* escutcheon or a 2* cylinder guard, and your customer's insurance company will not pay out, UAP will pay up to £5,000 to cover the costs of the stolen goods!

The cylinder comes with a key fob which includes a serial number. Customers can register the cylinder on our website to activate their guarantee. What's more, customers will also have access to 'My Keys.' This allows the customer to keep a record of their key number and an image, so if they ever lost all of their keys, they can log in to the website and simply take the key number and image to a key cutter to get cut. This will save them the expense of having to replace their cylinder!

