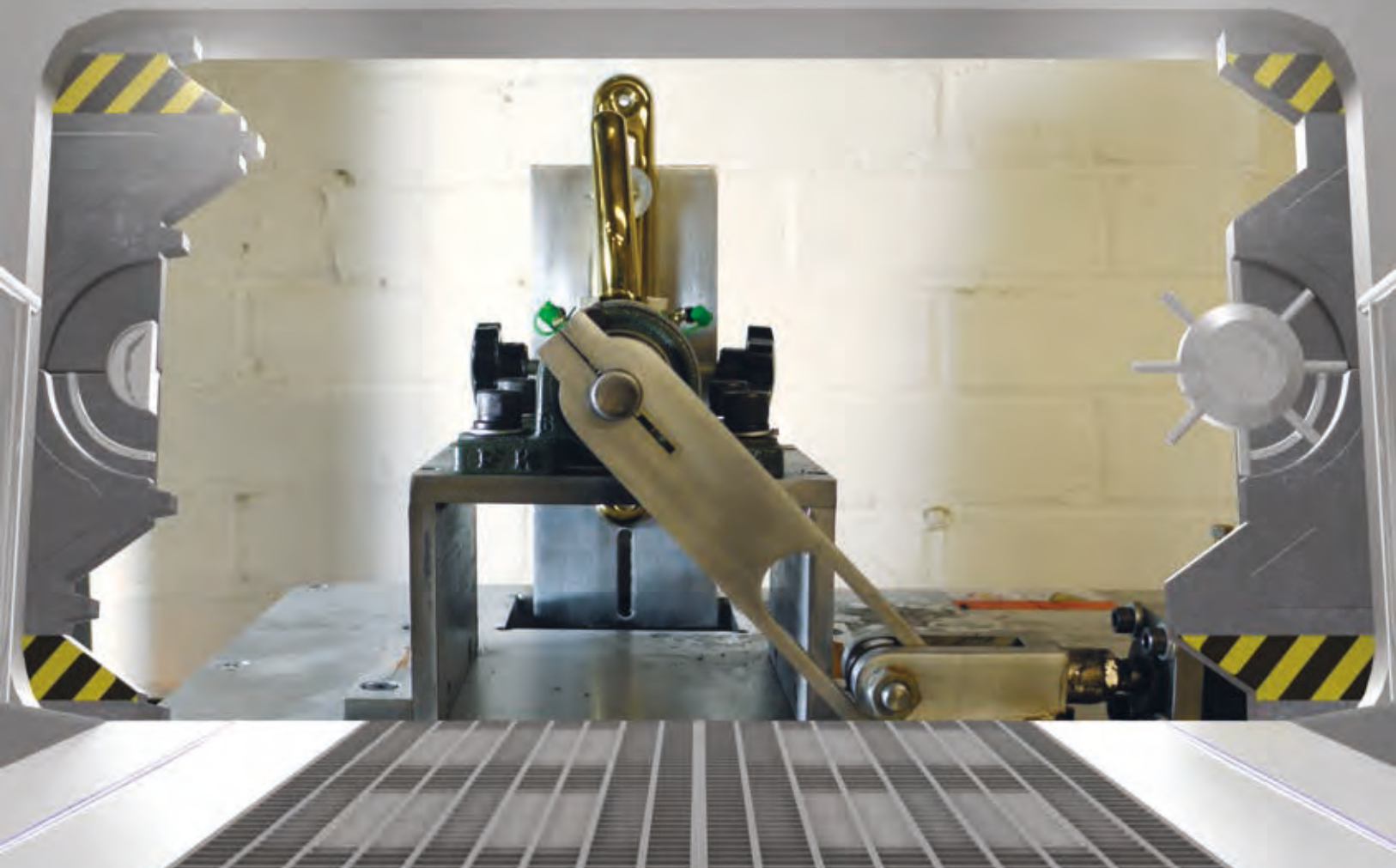


# **UAP** **LIMITED**

**INNOVATIVE DOOR HARDWARE SOLUTIONS**

## **HANDLES**

# **TESTING**



## Introduction

Prided on product excellence and innovation; UAP Limited, have an unrivalled reputation for the products we supply and the service we provide.

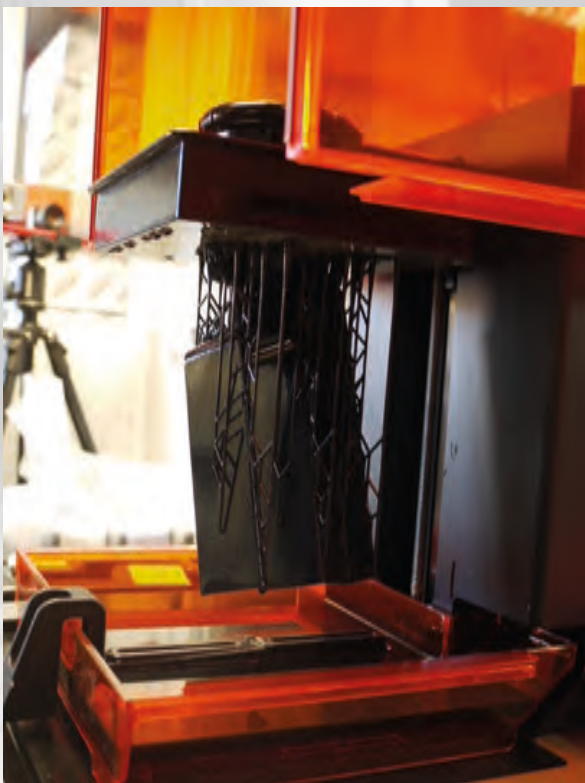
As a company we work with industry leading, highly respected manufacturers, importing the very best goods from around the globe.

We take care of our customers by providing solutions to ANY door hardware requirements. This includes sophisticated door and window security solutions and attractive decorative furnishings; both for commercial and domestic needs.

At UAP we are constantly striving to improve on the products we already supply as well as develop new, pioneering ranges and practical product solutions.

With an in house testing centre and product developer, each stage of the development process is thorough, from the initial design right down to the final product.

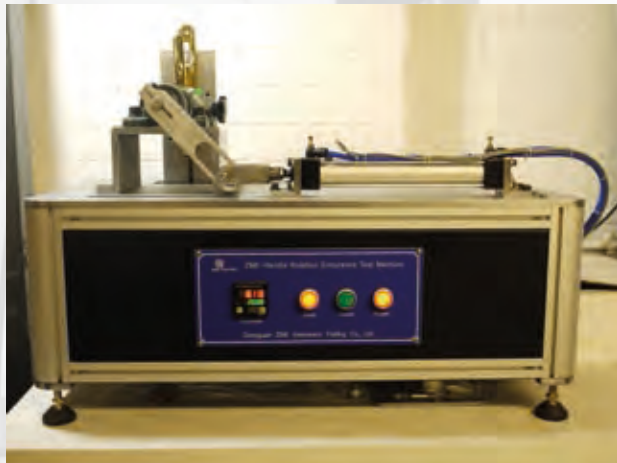
In house 3D printing technology allows for further and more precise advancement of our products which are then expertly manufactured and put through stringent testing conditions using in house test equipment – ensuring all products are designed to the highest standards.



### Door Handle Cycle Test

The machine imitates the action of the door handle being pushed down in an opening and repeats this 100,000 times, to test its durability. The axial and rotational operation of the lever handle is being tested to make sure it can withstand numerous openings and remain functional.

UAP perform the test in accordance with BS EN 1906:2015.



### Salt Spray Test

This machine tests the corrosion resistance of the door handles. The salt spray cabinet produces a corrosive environment, by releasing a dense saline fog into the chamber which the door handles are exposed to. This creates an accelerated corrosion of the door handle and allows us to test how well the handle would stand up in harsher environments.



### All Weather Machine

When placed in the all-weather machine, the door handles are subjected to conditions including high UV exposure using a Xenon Arc Lamp which will accelerate UV degradation and measure how well a handle can last in extreme conditions.

Other conditions such as rain and extreme heat can be generated by the machine to expose the door handle to all kinds of environments. This allows us to continually improve the door handles and make them so they last longer in all kinds of different environments.



### UV Sunlight Test

Used to test the colourfast of anodised door handles, the UV machine measures the stamina of the door handle finish, testing how quickly it will fade in sunlight. It does this using UV lights which the handles are left under for 2000 hours.

No one wants a handle that will quickly fade when exposed to sunlight, and this machine ensures our door handles can withstand these effects and will look good for longer. We offer a 10 year colour fast guarantee on the anodised door handles.



## Brands



UAP is one of the most widely recognised door hardware brands in the industry. The UAP brand consists of door knockers, door viewers, letterplates, door and window handles, numbers and letters, door locks, euro cylinders, mortice locks, window security and door security products. Every product is innovatively designed and constantly developed to ensure every product is of the highest quality and meets every customers requirements.

More information can be found at [www.uapcorporate.com](http://www.uapcorporate.com)



MAX6MUM SECURITY is a range door hardware and security products aimed for the retail market. The range consists of blister packed high quality architecturally specified and low cost products that anyone can install to improve home security. MAX6 is fully backed by a huge marketing campaign featuring our brand mascot 'Max' which is perfect for any trade counter or hardware shop.

More information can be found at [www.max6.co.uk](http://www.max6.co.uk)



Tradelocks is one of the largest locksmith brands in the UK, providing locksmith tools to gain entry to a number of different domestic locks, cars and safes. Tradelocks supplies domestic locksmiths, auto locksmiths and safe locksmiths, as well as a number of auto recovery companies and government agencies.

More information can be found at [www.tradelocks.co.uk](http://www.tradelocks.co.uk)



Genuine Lishi is one of the most recognised and trusted vehicle opening tool brands in the World. Genuine Lishi is supplied and distributed to over 80 countries, and is high sought after due to its high quality and innovative products, including the brand new NightVision 3 in 1 picks and decoders.

More information can be found at [www.genuinelishi.com](http://www.genuinelishi.com)

### 48 Hour Delivery Policy\*

Our 48 hour delivery promise is targeted on all stocked products.

### 5 Year Product Guarantee

All products inside this brochure come with up to a 5 year guarantee except the Nanocoast® range which is a lifetime coating guarantee.

### Salt Spray Testing

All of our products in this catalogue have been salt spray tested to ASTM B117 for 480 hours, apart from the Nanocoast® range which has been salt spray tested for 2,000 hours.

### Anodised Coatings

The anodised coating used on our Aluminium products conform to ISO 7599 AA15 and comes with a 10 year colour fastness guarantee.

### Guarantee

The guarantees mentioned in this brochure are for guidance only and unless otherwise stated, only relates to products being used in inland areas which are defined as 25 miles from the coast, or 5 miles from highly polluted industrial areas. Please ask your UAP account manager for copies of the guarantee wording covering your product of interest and please talk to your account manager about any specific application you might have.

\*48 hours means 2 working days. Product colours may vary slightly from the actual photograph.

Our Nanocoast<sup>®</sup> range of products are specifically designed for areas which are within a 25 mile radius of the coast, or within 5 miles of highly populated industrial areas. Made from 304 grade stainless steel, each product in the range has been salt spray tested to ASTM B117 for 2,000 hours, and comes with an industry first LIFETIME coating guarantee, as the products will not pit, rust or corrode no matter what environments you put them in!

#### Why Have We Used 304 Grade Stainless Steel?

We believe 304 grade stainless steel is the perfect grade of stainless steel to use at the coast for the cost price versus performance of the products. 304 grade is an austenitic stainless steel, containing 18% chromium and 8% nickel, and also a low carbon content. Due to this it has an excellent corrosion resistance in a wide variety of environments, and has good resistance to oxidation.

Downgrading the stainless steel quality to a 200 series grade stainless steel, means that even though they have similar mechanical and physical properties to the 304 grade, there is decreased nickel content. The nickel is replaced by manganese which results in weak corrosion resistance, and high carbon content leaves the stainless steel susceptible to stress corrosion cracking. Upgrading to 316 grade stainless steel is a lot more expensive than 304 grade stainless steel, which will dramatically put up the price of products, and only slightly increases the corrosion resistance as it contains 18% chromium and 10% nickel. However it shares similar characteristics to 304 grade stainless steel in resistance to oxidation and durability. 316 grade is usually used when you need a higher resistance to solutions such as sulfuric acid and chlorides at high temperatures.

#### Features and Benefits

- All products made from 304 grade stainless steel
- Salt spray tested to ASTM B117:2005 for 2,000 hours
- LIFETIME coating guarantee ANYWHERE in the country
- Doesn't rust or pit at the coast
- Huge range of suited and colour matched products
- Available in 3 finishes:  
Mirror Polished, PVD Gold and Satin Stainless
- Competitively priced

## 2\* Star Security Door Handles

This product is aimed at the fabricator who wants to offer a high quality, ergonomically designed handle range but who doesn't want to get involved in fitting a cylinder guard. This fit and forget handle is packed with state of the art features, and can be used by the professional installer offering a security upgrade service.

### Features:

**Anti-Drill Resistance** – The integrated cylinder guard helps protect your door from drilling attacks

**Easy Fitting and Attack Resistance** – The self-adhesive tabs ensure not only easy and secure fitting also further strengthen the door handle against possible attacks

**Water Penetration Resistance** – The self-adhesive tabs also aid in preventing water from penetrating between the door and handle, thus preventing corrosion, discoloration, and premature aging

**Cylinder and Handle Snapping Protection** – Once fitted onto the door, the door handle is developed so as to help protect from the most common break in methods, cylinder and handle snapping

- 2 star Kitemarked
- Integrated cylinder guard to resist drilling attacks
- Protects against cylinder snapping
- Self-adhesive tabs add to the attack resistance and assists easy fitting, as well as aiding water penetration resistance
- Highly durable
- Made from aero-space grade aluminium for gold anodised, silver anodised, black and white finishes
- Made from 304 grade stainless steel for PVD gold, mirror polished and satin stainless finishes



Made from aero-space grade aluminium for gold anodised, silver anodised, black and white finishes

Made from 304 grade stainless steel for PVD gold, mirror polished and satin stainless finishes

Sprung and unsprung, spring can be easily removed

Blind cylinder end works with UAP cylinder range (must use 30/35 (65mm) cylinder on 44mm doors)

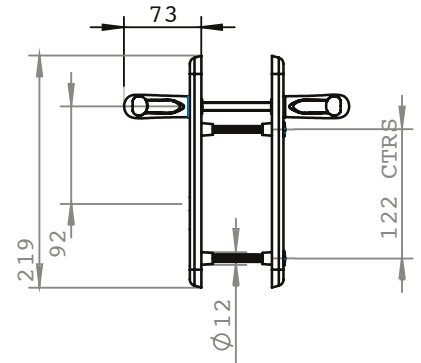
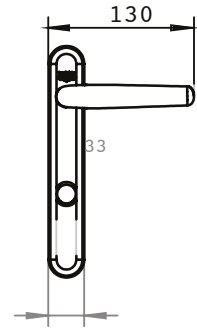
Ergonomically shaped handle

Self-adhesive tabs add to the attack resistance and assists easy fitting, as well as aiding water penetration resistance



# High Security Door Handles

With 219mm short backplate



Finishes	Backplate 219mm	Material Construction	Coating Guarantee
Gold Anodised	HSH219GA	Aluminium	10 Years Colour Fast
Silver Anodised	HSH219SA	Aluminium	10 Years Colour Fast
White Powder Coat	HSH219WH	Aluminium	10 Years Colour Fast
Black Powder Coat	HSH219BL	Aluminium	10 Years Colour Fast
PVD Gold	HSH219PVDG-NANOCOAST	Stainless Steel	Lifetime <span style="color: blue;">■</span>
Mirror Polished	HSH219MPSS-NANOCOAST	Stainless Steel	Lifetime <span style="color: blue;">■</span>
Satin Stainless	HSH219SSS-NANOCOAST	Stainless Steel	Lifetime <span style="color: blue;">■</span>



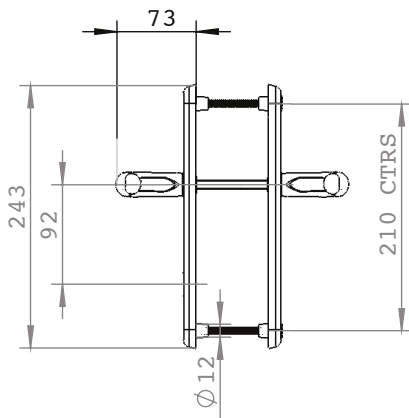
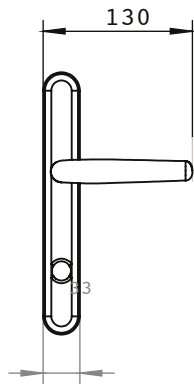
Available in





# High Security Door Handles

With 243mm long backplate



Cassette  
Supplied

Finishes	Backplate 243mm	Material Construction	Coating Guarantee
Gold Anodised	HSH243GA	Aluminium	10 Years Colour Fast
Silver Anodised	HSH243SA	Aluminium	10 Years Colour Fast
White Powder Coat	HSH243WH	Aluminium	10 Years Colour Fast
Black Powder Coat	HSH243BL	Aluminium	10 Years Colour Fast
PVD Gold	HSH243PVDG-NANOCOAST	Stainless Steel	Lifetime
Mirror Polished	HSH243MPSS-NANOCOAST	Stainless Steel	Lifetime
Satin Stainless	HSH243SSS-NANOCOAST	Stainless Steel	Lifetime

**10  
Year  
Colour  
fast**

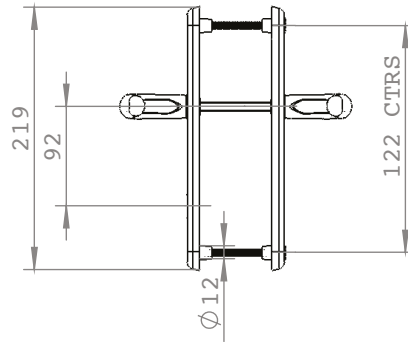
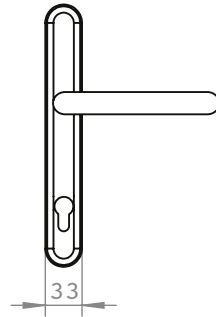


Available in



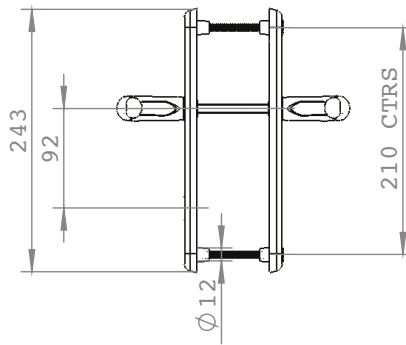
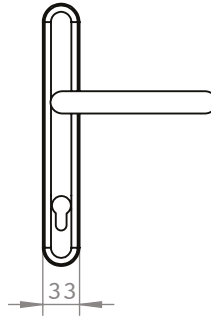
# Standard Door Handles




With 219mm short backplate



Finishes	Backplate 219mm	Material Construction	Coating Guarantee
PVD Gold	DH219PVDG-NANOCOAST	Stainless Steel	Lifetime <span style="color: blue;">■</span>
Mirror Polished	DH219MPSS-NANOCOAST	Stainless Steel	Lifetime <span style="color: blue;">■</span>
Satin Stainless	DH219SSS-NANOCOAST	Stainless Steel	Lifetime <span style="color: blue;">■</span>



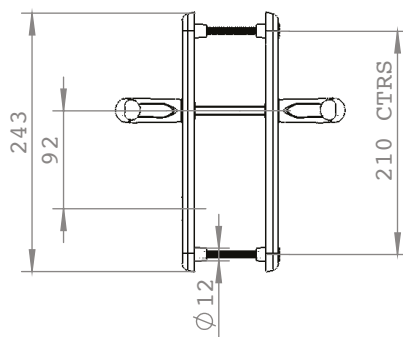
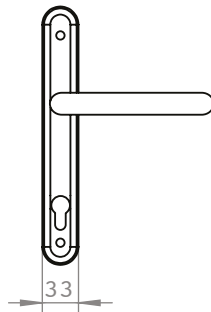





Finishes	Backplate 243mm	Material Construction	Coating Guarantee
PVD Gold	DH243PVDG-NANOCOAST	Stainless Steel	Lifetime 
Mirror Polished	DH243MPSS-NANOCOAST	Stainless Steel	Lifetime 
Satin Stainless	DH243SSS-NANOCOAST	Stainless Steel	Lifetime 



# DDA Handles – Ideal for sheltered accommodation, schools, hospitals, elderly homes, etc.

With 243mm long backplate



Finishes	Backplate 243mm	Material Construction	Coating Guarantee
PVD Gold	DH243PVDG-DDA-NANOCOAST	Stainless Steel	Lifetime 
Mirror Polished	DH243MPSS-DDA-NANOCOAST	Stainless Steel	Lifetime 
Satin Stainless	DH243SSS-DDA-NANOCOAST	Stainless Steel	Lifetime 



## Hybrid Door Handles

With 219mm and 243mm  
 long backplate



Finishes	Backplate 219mm	Backplate 243m	Outer Material Construction	Inner Material Construction	Coating Guarantee
PVD Gold	DH219-H-PVDG-NANOCOAST	DH243-H-PVDG-NANOCOAST	Stainless Steel	Zamak	Lifetime <span style="color: blue;">■</span>
Mirror Polished	DH219-H-MPSS-NANOCOAST	DH243-H-MPSS-NANOCOAST	Stainless Steel	Zamak	Lifetime <span style="color: blue;">■</span>
Satin Stainless	DH219-H-SSS-NANOCOAST	DH243-H-SSS-NANOCOAST	Stainless Steel	Zamak	Lifetime <span style="color: blue;">■</span>



## Pull Handles

### Introduction

UAP's door handles are made from 304 grade stainless steel.

We consulted with several door manufacturers during the design process of our pull handles to ensure the handles met the desired specifications of the majority, and didn't have any downfalls that may be present on pull handles currently in the market. The result of this research is a range of high quality, and professional looking pull handles.

#### Features:

- Made from 1.5mm 304 Satin Stainless Steel with a Lifetime coating guarantee
- 38mm diameter for sturdier construction
- Easier to grip for those with arthritis or limited hand movement, a more robust type of bar
- All handles have two fixing points with an individual plate on each
- Comes with an Allen key with 2 Allen bolts on each of the up-stands - bolts made of SS304
- 3 fixing methods available: hidden fixings, bolt through and back to back
- Comes with a universal fixing kit





## Escutcheons

Each high security escutcheon is made from 304 grade stainless steel, and is part of the UAP Nanocoast range. The UAP Nanocoast range of products are specifically designed for areas which are within a 25 mile radius of the coast, or within 5 miles of highly populated industrial areas.

Each escutcheon has been salt spray tested to ASTM B117 for 2,000 hours, and comes with an industry first LIFETIME coating guarantee, as the escutcheon will not pit, rust or corrode no matter what environments you put them in!



Finishes	Product Code
PVD Gold	HSEPVDG-NANOCOAST
Mirror Polished	HSEMPSS-NANOCOAST
Satin Stainless	HSESSS-NANOCOAST



## Pull Handles Fixings

### Hidden Fixings

The handle comes with two fixing points each with an individual plate. These are fitted to wooden and timber doors using three screws. The handle then attaches to the plates and is secured with the Allen bolts. The internal fixings are not visible on the door!



### Bolt Through

The bolt through method uses a brass thread reducer; this is included in one of the two accessory kits. The brass thread reducer has a 1.5mm thread on the outside which will thread into the upstand. On the internal of the reducer is an N8, this is an 8mm bolt through which provides an ideal position for an internal bolt to fit through. The two Allen bolts give extra protection against vibrations that may take effect on a main road causing bolts to come undone. With the Allen bolts this will not happen!



### Back to Back

We have developed a system which is incredibly easy to use and which will reduce fitting times to just seconds. Included in the second accessory kit is two plates which have holes all the way through. Once the plate is fitted on the inside of the door, the bolt can be pushed through the plate and screwed into the brass reducer. The internal handle would then be fitted using the hidden fix system. This offers an extremely strong back to back fixing method.



### Up-stand

We decided against using a thinner up-stand and welding. Using a 38mm bar against a 38mm straight bar gives a more robust and better looking product. The bolt through fixing gives a neater finish and as Stainless Steel 304 is used, the product will not rust and so there will be no leakage if it rains.



Due to our fixing methods, customers also have the option of sending the door to the site without the handle on, this will prevent damage in transit or on site. The door will simply be sent with the fixings on and the installation would be completed on site.

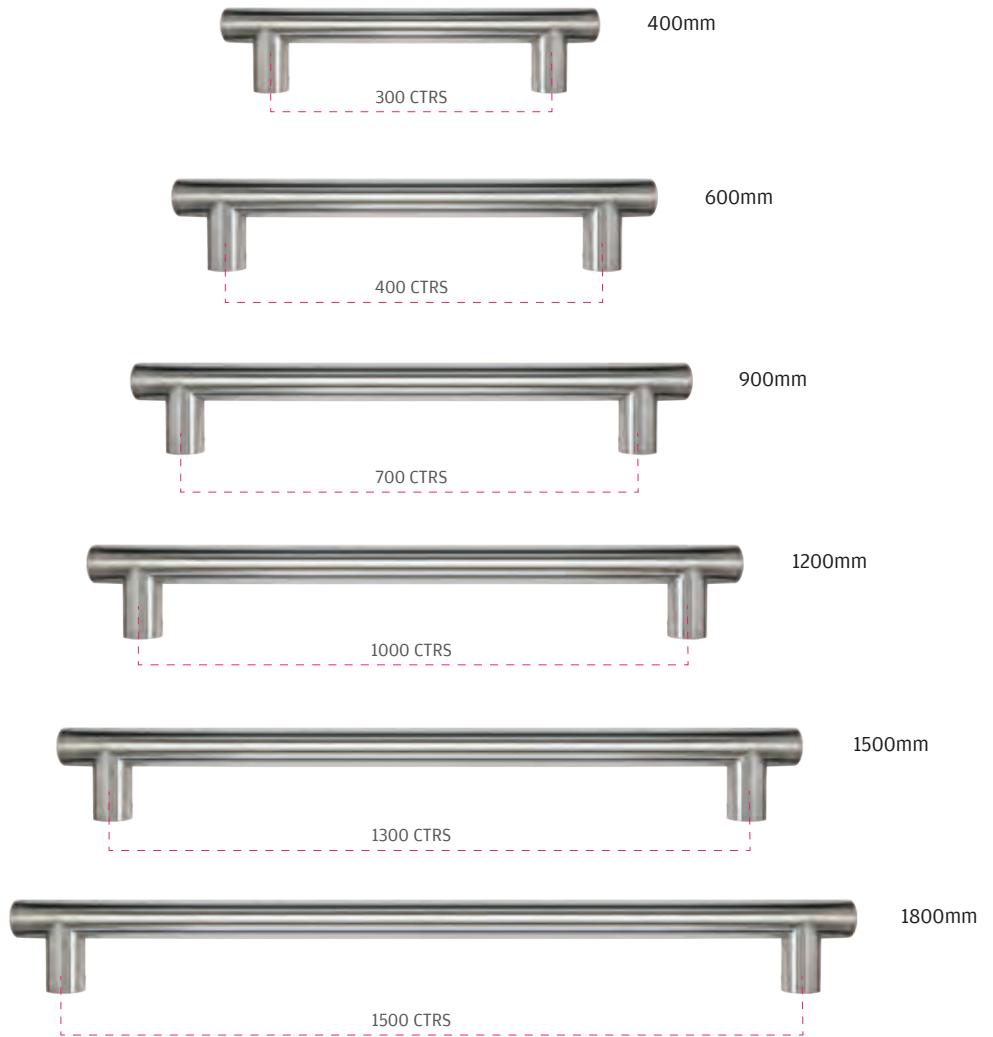







Escutcheon Available

Satin Chrome  
PH-ESCUICHEON



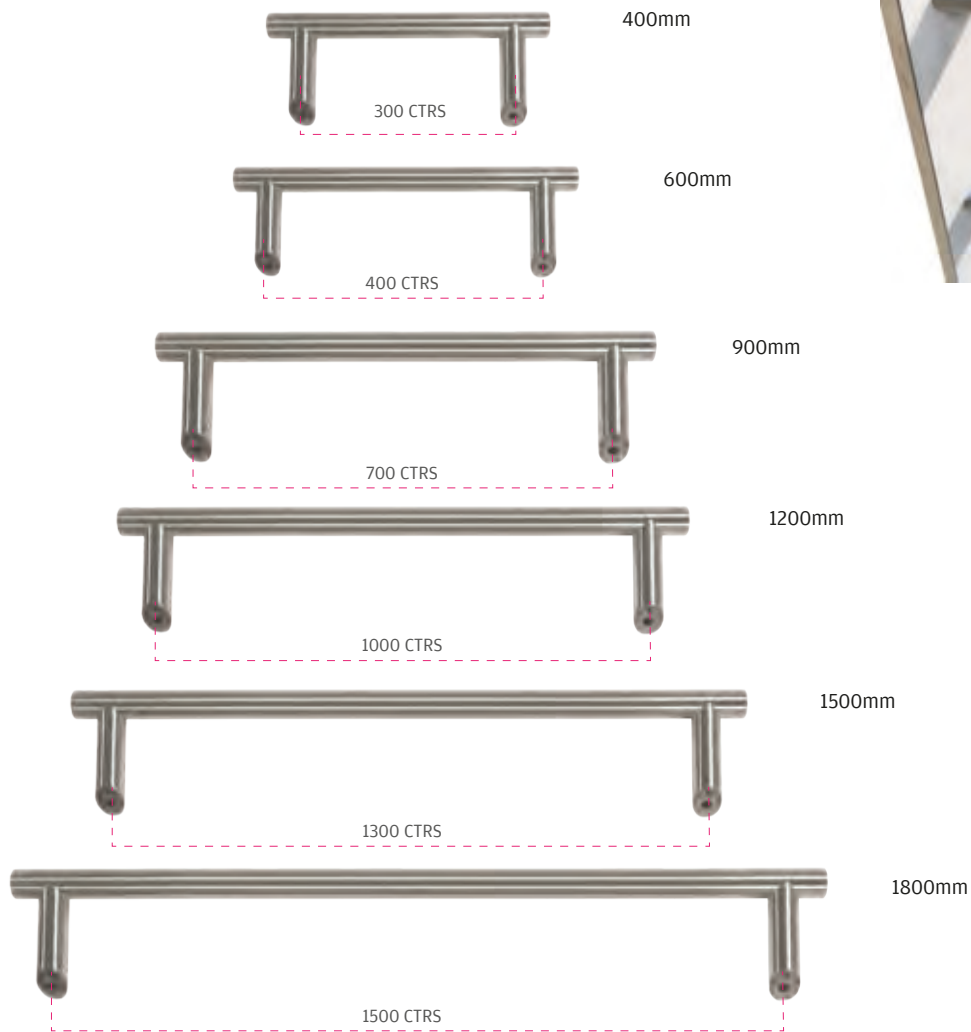
# Standard Pull Handles









Sizes	Standard	Shape	Coating Guarantee
400mm	PH400S-SSS-NANOCOAST	Straight	Lifetime 
600mm	PH600S-SSS-NANOCOAST	Straight	Lifetime 
900mm	PH900S-SSS-NANOCOAST	Straight	Lifetime 
1200mm	PH1200S-SSS-NANOCOAST	Straight	Lifetime 
1500mm	PH1500S-SSS-NANOCOAST	Straight	Lifetime 
1800mm	PH1800S-SSS-NANOCOAST	Straight	Lifetime 



# Offset Pull Handles



Sizes	Offset	Back to back (Pairs)	Shape	Coating Guarantee
400mm	PH400OFF-SSS-NANOCOAST	PH400OFF-SSS-B2B-NANOCOAST	Straight	Lifetime 
600mm	PH600OFF-SSS-NANOCOAST	PH600OFF-SSS-B2B-NANOCOAST	Straight	Lifetime 
900mm	PH900OFF-SSS-NANOCOAST	PH900OFF-SSS-B2B-NANOCOAST	Straight	Lifetime 
1200mm	PH1200OFF-SSS-NANOCOAST	PH1200OFF-SSS-B2B-NANOCOAST	Straight	Lifetime 
1500mm	PH1500OFF-SSS-NANOCOAST	PH1500OFF-SSS-B2B-NANOCOAST	Straight	Lifetime 
1800mm	PH1800OFF-SSS-NANOCOAST	PH1800OFF-SSS-B2B-NANOCOAST	Straight	Lifetime 



# D Shaped Pull Handles





Sizes	Standard	Hidden Fix	Shape	Coating Guarantee
300mm	PH300DSHAPE-SSS -NANOCAST	PH300DSHAPE-SSS -HF-NANOCAST	D Shape	Lifetime <span style="color: blue;">■</span>



# Door Knob



Finishes	Product Code	Material Construction	Coating Guarantee
PVD Gold	RPH-PVDG-NANOCOAST	Stainless Steel	Lifetime 
Mirror Polished	RPH-MPSS-NANOCOAST	Stainless Steel	Lifetime 
Satin Stainless	RPH-SSS-NANOCOAST	Stainless Steel	Lifetime 
Polished Brass	RPH-BR-NANOCOAST	Brass	5 years
Polished Chrome	RPH-CH-NANOCOAST	Brass	5 years
Satin Chrome	RPH-SC-NANOCOAST	Brass	5 years

Satin Chrome  
Escutcheon Available



PH-ESCUTCHEON

Available in



PVD Gold



Satin Stainless



Mirror Polished



Polished Chrome



Satin Chrome



Polished Brass



# Cockspur Window Handles



## Accessories

Finishes	Left Hand	Right Hand	Material Construction	Coating Guarantee
White	CSHWHL	CSHWHR	Zamak	5 Years
Brown	CSHBRL	CSHBRR	Zamak	5 Years
Polished Chrome	CSHCHL	CSHCHR	Zamak	5 Years
Polished Gold	CSHPGL	CSHPGR	Zamak	5 Years
Satin Chrome	CSHSCL	CSHSCR	Zamak	5 Years

Striker Plates	Code
Black	CSHSTRIKERBL
Brown	CSHSTRIKERBR
White	CSHSTRIKERWH
Caps	
Black	CSHCAPBL
Brown	CSHCAPBR
White	CSHCAPWH
Spare Keys	
	CSHKEY

# Cranked Espag Handles - 35mm Spindle



Finishes	Left Hand	Right Hand	Material Construction	Coating Guarantee
Polished Chrome	ESPAGCH35-LEFT	ESPAGECH35-RIGHT	Zamak	5 Years
Polished Gold	ESPAGG35-LEFT	ESPAGG35-RIGHT	Zamak	5 Years
Satin Silver	ESPAGSC35-LEFT	ESPAGSC-35-RIGHT	Zamak	5 Years
Flint	ESPAGFL35-LEFT	ESPAGFL35-RIGHT	Zamak	5 Years

## Accessories

Spare Keys	CSHKEY
------------	--------



*INNOVATIVE DOOR HARDWARE SOLUTIONS*

Unit 1 Albert Close Trading Estate  
Whitefield, Manchester  
M45 8EH  
England, UK

[uapcorporate.com](http://uapcorporate.com)  
[sales@uapcorporate.com](mailto:sales@uapcorporate.com)

**0161 796 7268**